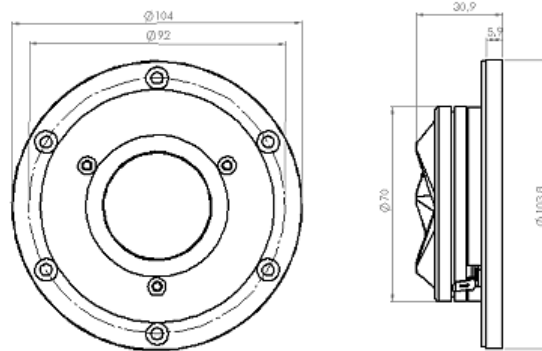
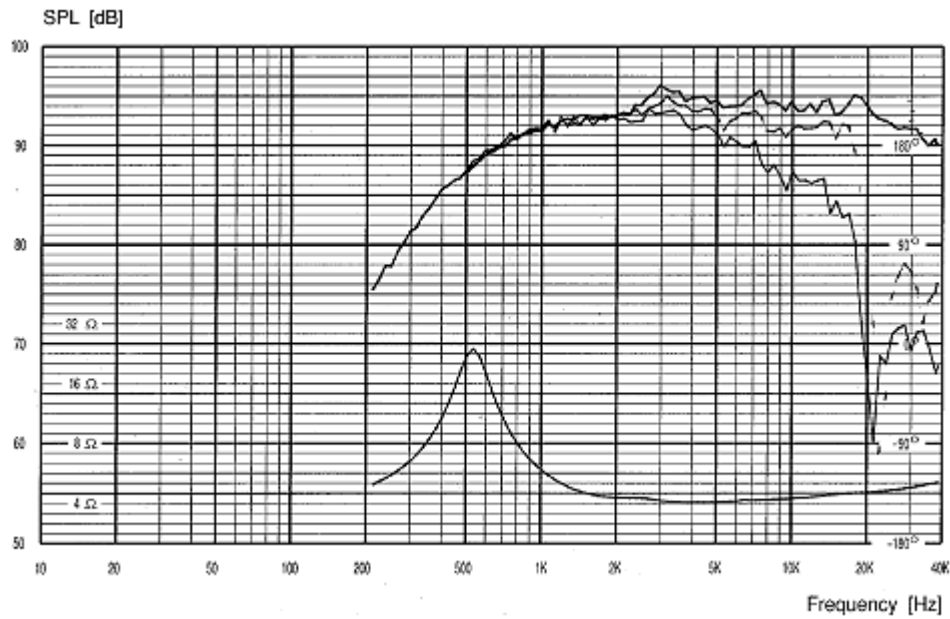




D2904/710001



Characteristic sensitivity (2.83V / 1m)	: 94.5 dB
Recommended frequency range	: 2 - 40 kHz
Free air resonance frequency, f_s	: 520 Hz
DC resistance, R_e	: 3.0 ohm
Voice coil inductance, L_e	: 0.01 mH
Effective piston area, S_d	: 7.0 cm ²
Moving mass incl. air, m_d	: 0.35 g
Force factor, BL	: 2.8 Tm
Excursion, lin./max.	: $\pm 0.20 / \pm 1.6$ mm
Voice coil diameter	: 25 mm
Rated power handling	: 160 W (12 dB/oct. cross-over at 2.5 kHz)
Net weight	: 0.42 kg



Frequency response: 2.83V / 1m