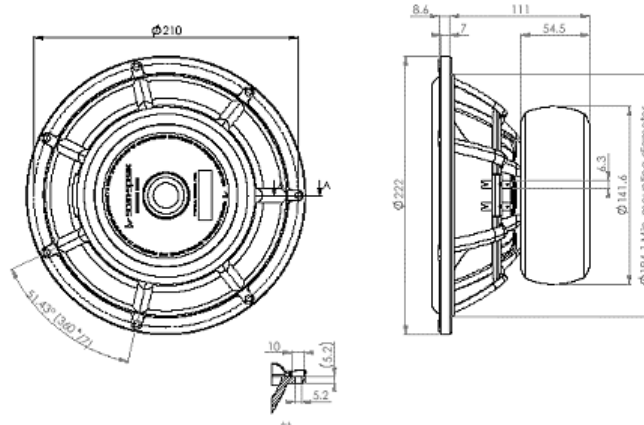
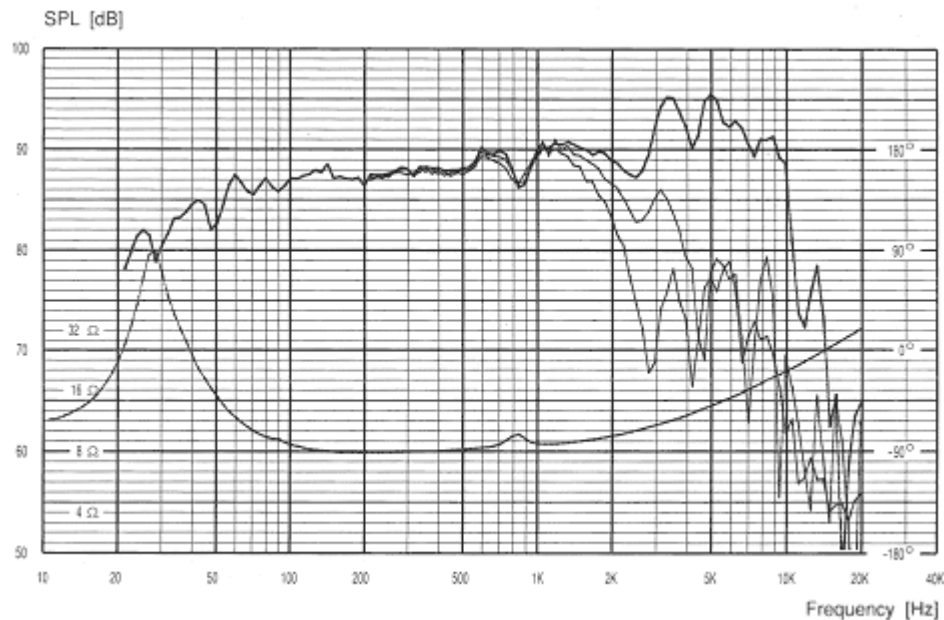




# 22W/8851T00



Characteristic sensitivity (2.83V / 1m)	: 88 dB
Recommended frequency range	: 21 - 800 Hz
Free air resonance frequency, $f_s$	: 21 Hz
DC resistance, $R_e$	: 6.2 ohm
Voice coil inductance, $L_e$	: 0.35 mH
Effective piston area, $S_d$	: 220 cm <sup>2</sup>
Moving mass incl. air, $m_d$	: 31 g
Mechanical loss, $R_m$	: 0.8 Ns/m
Force factor, $BL$	: 9.9 Tm
Equivalent volume, $V_{as}$	: 127 ltr.
Mechanical Q-factor, $Q_{ms}$	: 5.1
Electrical Q-factor, $Q_{es}$	: 0.26
Total Q-factor, $Q_{ts}$	: 0.25
Excursion, lin./max.	: $\pm 9 / \pm 14$ mm
Voice coil diameter	: 50 mm
Rated power handling	: 170 W
Net weight	: 3.6 kg



Frequency response: 2.83V / 1m