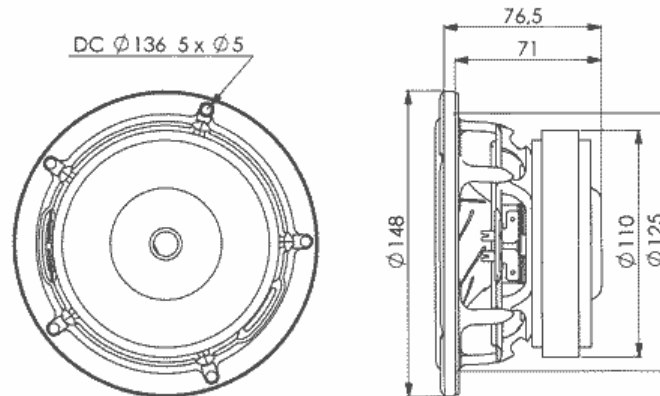
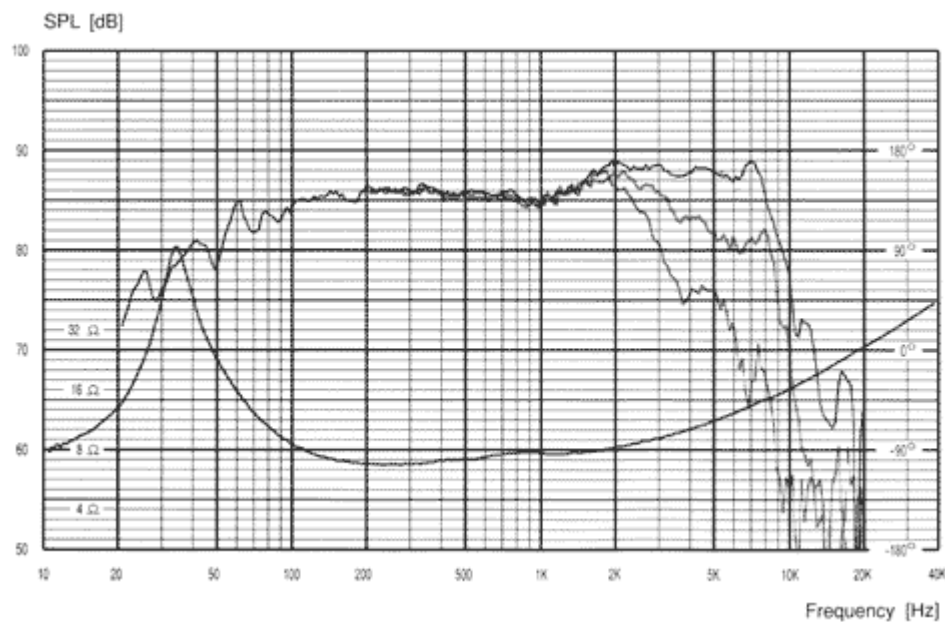




15W/8530K00



Characteristic sensitivity (2.83V / 1m)	: 85.5 dB
Recommended frequency range	: 30 - 6000 Hz
Free air resonance frequency, f_s	: 30 Hz
DC resistance, R_e	: 5.8 ohm
Voice coil inductance, L_e	: 0.35 mH
Effective piston area, S_d	: 95 cm ²
Moving mass incl. air, m_d	: 13 g
Mechanical loss, R_m	: 0.5 Ns/m
Force factor, BL	: 7.0 Tm
Equivalent volume, V_{as}	: 28 ltr.
Mechanical Q-factor, Q_{ms}	: 4.9
Electrical Q-factor, Q_{es}	: 0.29
Total Q-factor, Q_{ts}	: 0.27
Excursion, lin./max.	: $\pm 6.5 / \pm 9$ mm
Voice coil diameter	: 38 mm
Rated power handling	: 60 W
Net weight	: 1.6 kg



Frequency response: 2.83V / 1m