

8" Woofer

- **High Excursion**
- **Neodymium Radial Magnet**
- **NO Stray Magnetic Fields**

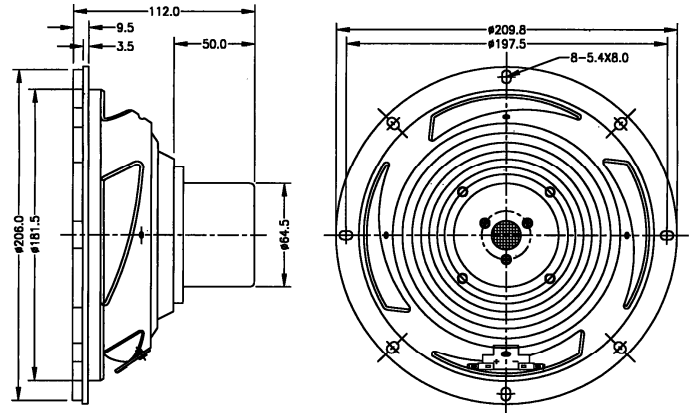
Nominal Diameter (Ø)	8 inches (210 mm)
Nominal Impedance (Z)	4.8 Ohms
Sensitivity, 1W/1m (E)	86 dB
Power Capacity, RMS (Pe)	100 W
Power Capacity, Peak	200 W
Frequency Range (-10dB)	Fo - 1.5 kHz
Minimum Impedance	4.8 Ohms
Voice Coil Diameter (Ø)	38.55 mm
Voice Coil Winding Length (h)	15 mm
Voice Coil Number of Layers (n)	4
Voice Coil Former Material	Kapton
Voice Coil Wire Composition	Copper
Motor Reference	N385-C10-250A
Magnetic Material	Neodymium radial
Stray Flux Shielding	Inherent
Magnetic Gap Depth (He)	25.0 mm
Cone Material	PP
Surround Material	Rubber
Polarity, Outward Motion	Positive voltage on (+) tab
Net Weight	1.426 kg

Thiele / Small Parameters

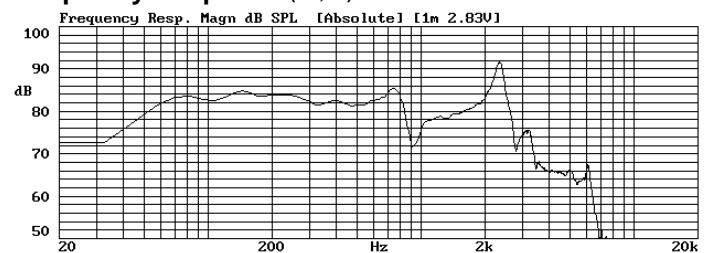
Resonant Frequency (Fo) - Fs	40 Hertz
Voice Coil DC Resistance - Re	3.5 Ohms
Total Q - Qts	0.34
Mechanical Q - Qms	4.20
Electrical Q - Qes	0.36
Equivalent Volume of Air - Vas	16.8 L
Radiating Piston Area - Sd	206.12 cm ²

Electrical / Mechanical Parameters

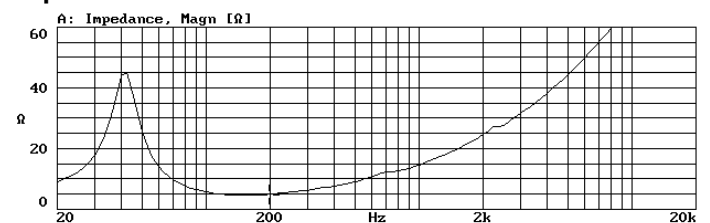
Flux Density x Length - BL	11.7 Tesla-meters
Compliance - Cms	280 µm/N
Total Mass - Mms	54 grams



Frequency Response (1W,1m)



Impedance



Distortion (1W,1m)

