

FE103En

Features

- ES cone and center cap are adapted. This new diaphragm material has the fine, supple and high density fiber, and its characteristics successfully improve the mid-high frequency reproduction.
- \varnothing 80mm strong ferrite magnet is employed.
- Well tuned Qts / Mms values for ease of use in small bass reflex type enclosures to folded horn enclosures.

Specifications

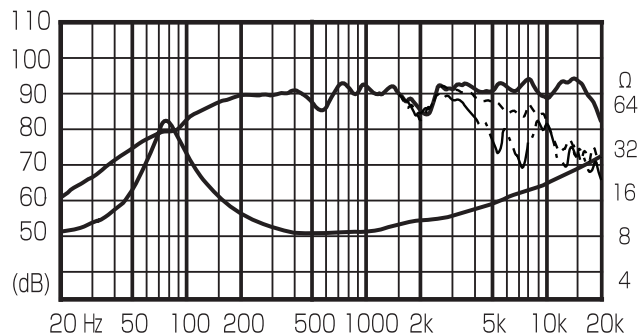
& Thiele/Small Parameters

Size	:	100 mm / 3.9 in
Voice Coil Diameter	:	20 mm / 0.8 in
Cast / Stamped	:	Stamped
Impedance	:	8 Ω
Reproduction Frequency Response	:	fs - 22 kHz
Sound Pressure Level	:	89 dB/W(m)
Rated Input	:	5 W
Music Power	:	15 W
Magnet Material	:	Ferrite
Magnet Weight	:	
(main)	:	193 g / 0.425 lb
(cancel)	:	g / lb
Net Weight	:	580 g / 1.279 lb

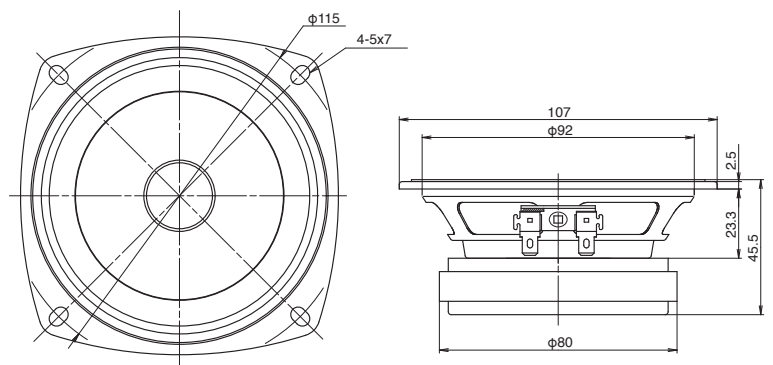
a	:	40 mm
D	:	80 mm
Sd	:	0.005 m ²
Zn	:	8 Ω
Fs	:	83 Hz
Re	:	7.5 Ω
Le	:	0.0398 mH
Qms	:	2.747
Qes	:	0.377
Qts	:	0.33
Mms	:	2.55 g
BL	:	4.99 Telsa/m
Vas	:	5.95 L
Xmax	:	0.6 mm
Eff/ η 0	:	0.72 %
Cms	:	1.65 m/N
EBP	:	220.16



Frequency Response / Impedance

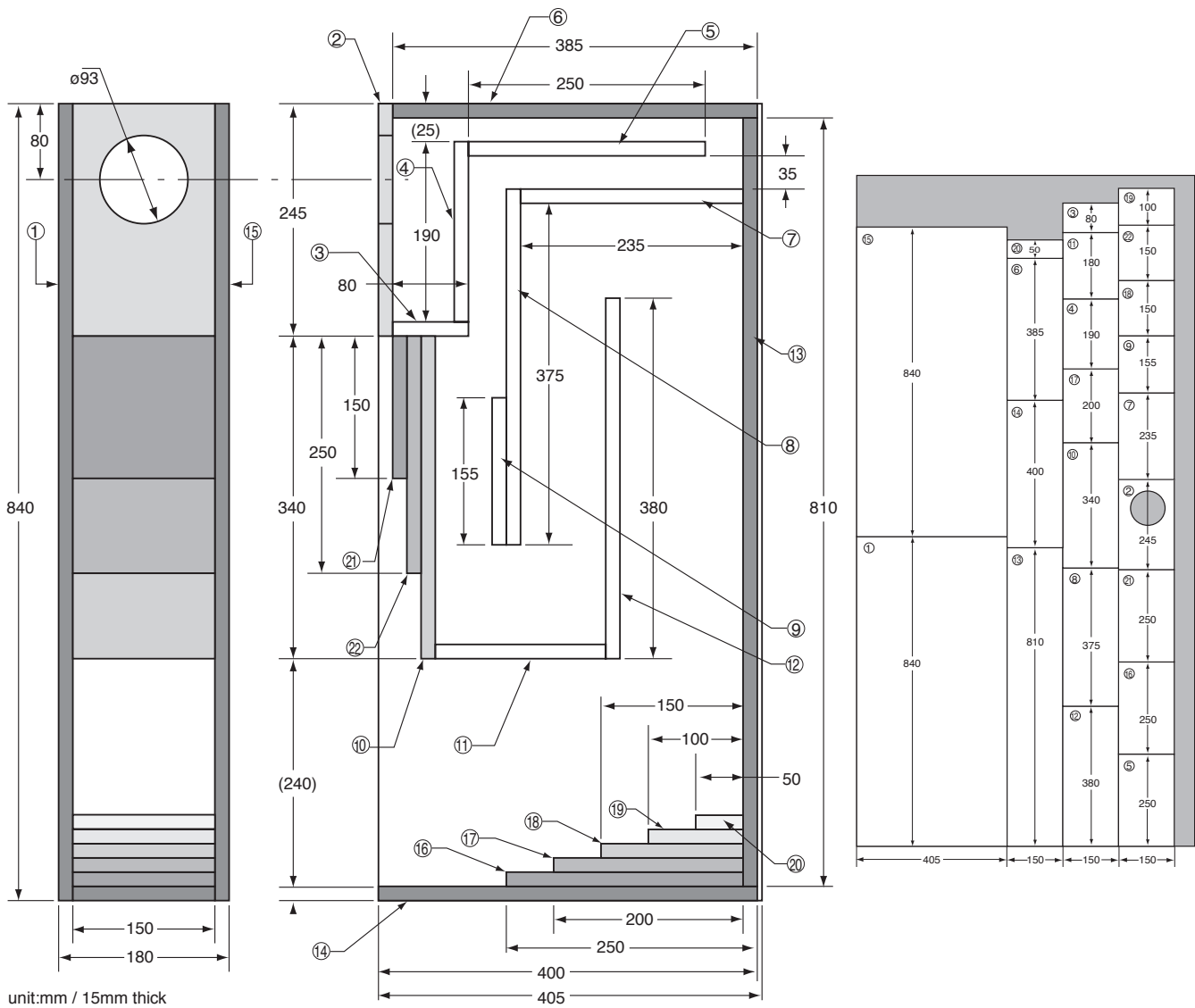


Dimensions & Mounting Information



Overall Diameter	:	107 mm / 4.2 in
Baffle Hole Diameter	:	92 mm / 3.6 in
Depth	:	45.5 mm / 1.8 in

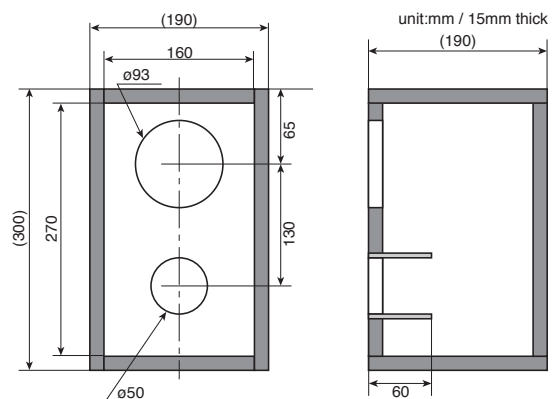
Recommended Back Loaded Horn Type Enclosure



- Shown is an example of a FE103En back loaded horn type enclosure.
- The horn length is designed a little longer to 2m, and cutoff frequency is set at 50Hz for extended low frequency reproduction.

Recommended Standard Bass Reflex Type Enclosure

Example of FE 103 E n standard bass reflex type enclosure. Internal volume is 6 liters tuned to 95Hz (Fb).



Fostex

Distributor / Authorised Dealer

www.fostex.jp

Fostex Co., 3-2-35 Musashino, Akishima, Tokyo, Japan 196-0021
Tel:+81(0)42-546-4974 Fax:+81(0)42-546-9222

In accordance with our policy of continuous development, we reserve the right to change specifications without notice.

Printed in China 500283