

## C158-8-085

Bass - midrange driver

DOMEMATERIAL: CERAMIC  
APPLICATION: BASS - MIDRANGE  
NOMINAL DIAMETER: 158 mm  
SENSITIVITY: 89 dB

### MAIN FEATURES :

OVERHUNG MOTOR DESIGN  
25 MM TITANIUM VC FORMER  
SOFT RUBBER SURROUND  
VENTED VC, POLE PIECE & SPIDER  
35 HZ - 3 KHZ IN VENTED BOX

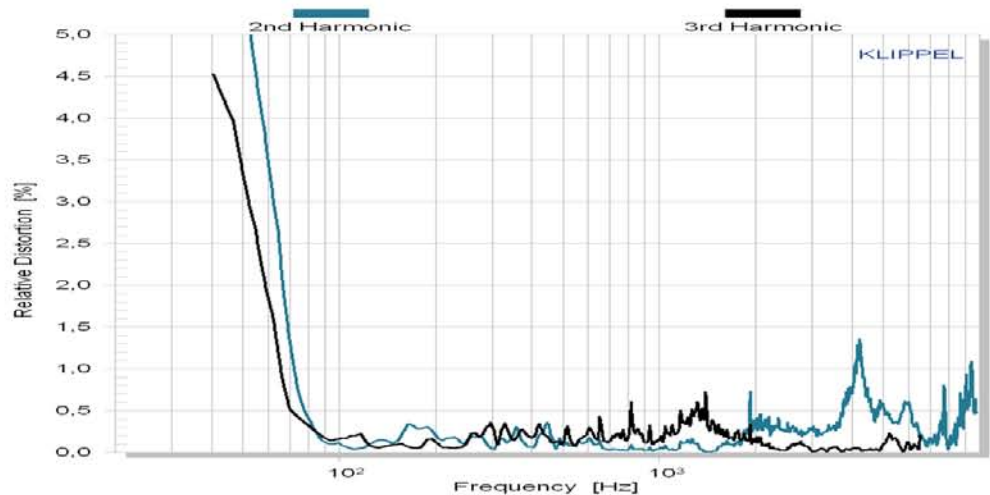
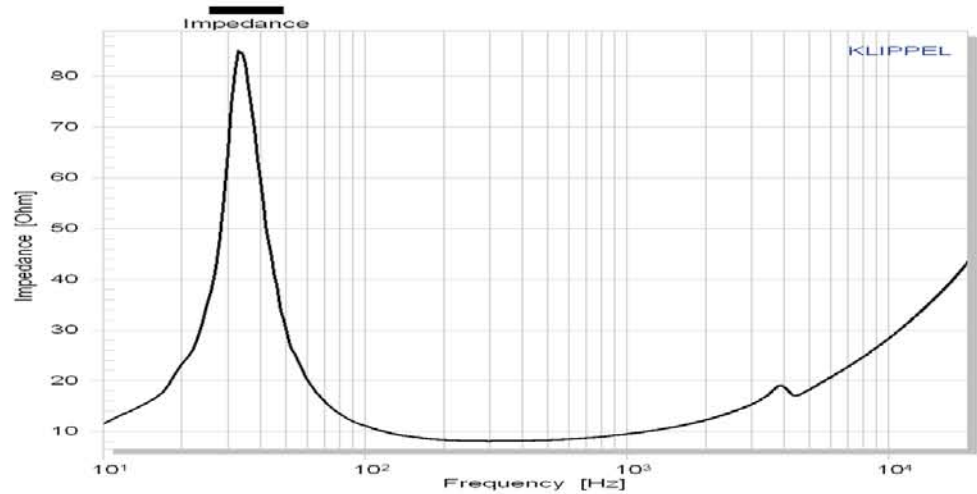
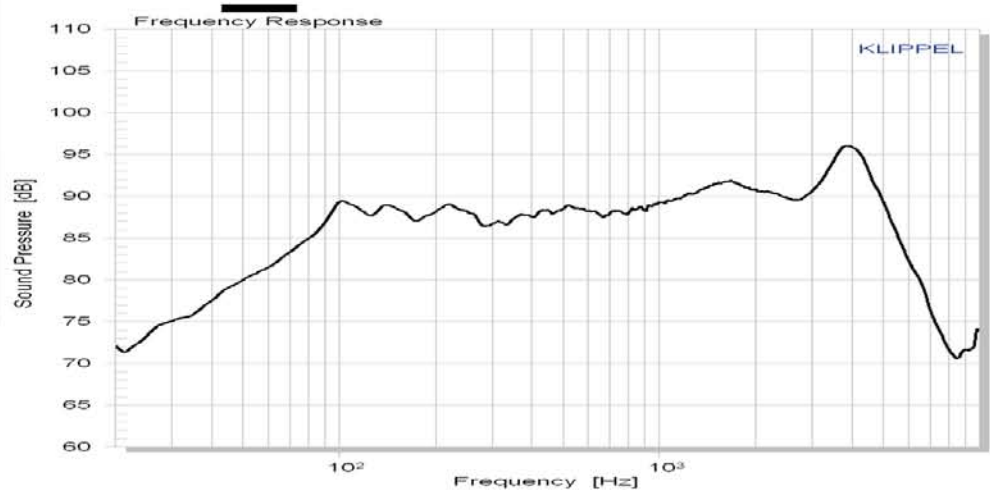


The **C158 - 8 - 085** is a 5.5 inch bass - midrange driver with ultra hard ceramic dome.

A **FEA optimized** overhung motor design with 25 mm titanium voice coil former guarantees extraordinary low energy storage and good heat transfer.

The low loss rubber surround and a **thin fabric spider** center the moving parts with high linearity.

As a typical small home stereo bass - midrange driver, we recommend our **C158 - 8 - 085** for an application from 35 Hz – 3000 Hz.



All rights reserved - All data with reservation and subject to change.

Thiel & Partner GmbH

Kantstrasse 1

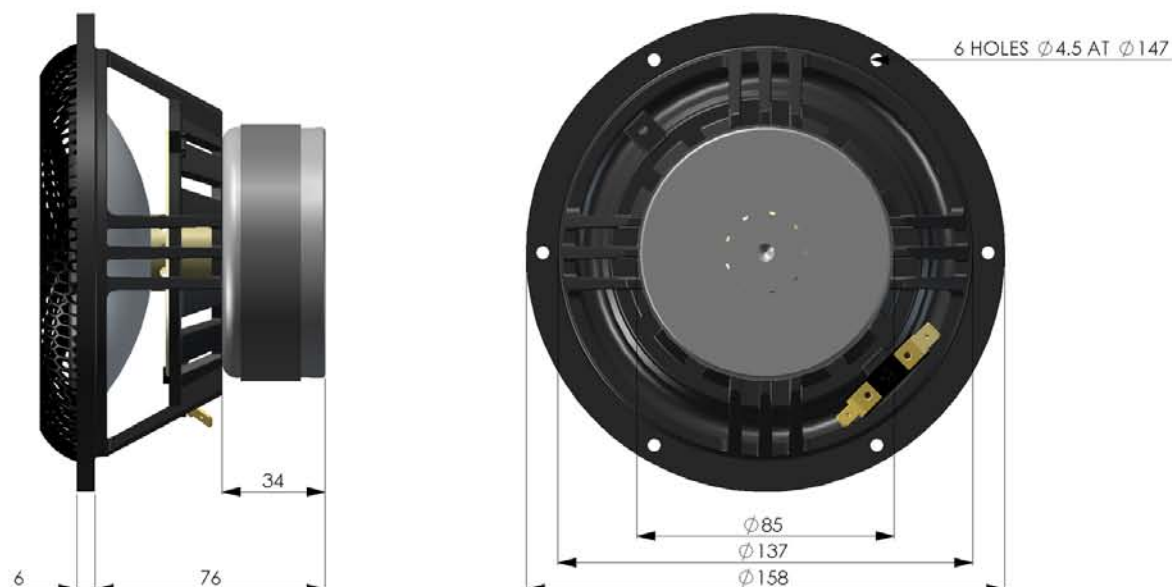
50259 Pulheim

T +49 (0) 2238 / 475475

a.bankewitz@accuton.com



**C158-8-085**  
Bass-midrange driver



#### Mechanical data

Overall diameter	158	mm
Cutout diameter	137	mm
Frontplate depth	6	mm
Overall depth	82	mm
Motor assembly diameter	85	mm
Motor assembly depth	34	mm
Screw fitting	DIN 7984, 4mm	
Terminal	+ : 6.3 x 0.8 / - : 4.8 x 0.8	mm
Shipping weight / net weight	1.75 / 1.65	kg
Shipping box size	180 / 180 / 240	mm

#### Thiele/Small Parameters

Sensitivity (2.83V / 1m)	E	89*	dB
DC-resistance	Re	7.8	Ohm
resonance frequency	Fs	33	Hz
equivalent vol. of air	Vas	35	L
mechanical Q	Qms	4.12	
electrical Q	Qes	0.34	
total Q	Qts	0.31	
effective piston area	Sd	113	cm <sup>2</sup>
moving mass	Mms	11.6	g
suspension compl.	Cms	1.89	mm/N
mechanical resistance	Rms	0.53	kg x s

#### Voice Coil data

Power handling	P	100*	Watt
Linear excursion	Xmax	+/- 5	mm
Voice coil diameter		25	mm
Voice coil former material	Ti		
Voice coil material	Cu		
Voice coil inductance	Le	0.54	mH
Force factor	Bl	7.5	N/A
Motor type		Overhung	
Ferrofluid filling		no	

\* See [www.accuton.com](http://www.accuton.com) for exact measurement conditions.

All rights reserved - All data with reservation and subject to change.

Thiel & Partner GmbH Kantstrasse 1 50259 Pulheim T +49 (0) 2238 / 475475 a.bankewitz@accuton.com