



RETAIL
effective December 1, 2008

INDEX

2-5	RCA Type Connectors
6-7	RCA Type Sockets
8-10	Bananas and Spades
11-16	Binding Posts
16-17	Binding Post Accessories
18-19	Mounting Plates
20-21	Tools
22	WBT Solder
23	Crimping Sleeves
24-25	Various Instructions
26	Crimping Technique

Please Note:

- All sales are made at the sole discretion of WBT-USA™ by KIMBER KABLE™.
- Possession of this price list does not automatically allow purchasing of any or all products.
- We reserve the right to make product and/or price changes without prior notification or liability.
- WBT-USA™ is the exclusive general agent for WBT™ GmbH of Germany, in the United States.
- WBT-USA™ is not the manufacturer. All WBT™ products are made by WBT™ GmbH in Germany.
- Trademarks and their owners: WBT to WBT, RCA to RCA, Torx to Textron, Ultramid to BASF, nextgen™ to WBT®, Dyneon to 3M, Elastolan to Elastolan AB, Tedur to Albis Plastic GmbH, Teflon to DuPont and Makrolon to Bayer.

WBT™ products are protected under one or more of the following Patents: DE 10258689, DE 590 02 486.8-08, DE 95 00 657.5, DE 295 04 240.0, DE 591 07 516.4-08, DE 297 03 602.5, Int. Pat 0460145, EP-PS 0 494 438, JP 2 585 911, JP 2 503 339, ROK 097 853, TW 80 100 133, TW 58835, US 5 226 841, US 5 318 458, DBG8527598, DE4100600, Int. Pat. 0460145, Int. Pat. 0494438, PCT/EP 96/00286, PCT-WO 91/10270, US5108320, Int. Pat. EP 1470620, Int. Pat. EP 0 460 145 B1, EP 1 570 554, US 7 001 220 and Int. Pat. pending 19813370.



Retail Price List • Effective December 1, 2008

RCA TYPE CONNECTORS - RoHS COMPLIANT

ILLUSTRATIONS NOT TO SCALE

	Retail
WBT-0101 Topline	\$49.00
WBT-0101-KIT 4 Plugs, WBT™ solder, Torx™ key, boxed	\$200.00
<p>Ultra fine machining grants smooth operation of unit. Unique plating process with final plating of 24k gold. Patented WBT™ barrel provides both adjustment and locking function. The barrel is finished in polished ruthenium. A slotted center pin allows a perfect fit. Teflon™ insulation. Strain relief captured with Torx™ T6 size set screw. Maximum cable diameter allowed is 9mm²/ 0.354 inches².</p>	
WBT-0102Ag nextgen™ Signature (hybrid)	\$86.00
WBT-0102Ag-KIT 4 Plugs, WBT™ solder, Torx™ key, boxed	\$348.00
<p>Contacts utilize passivated pure fine silver. The body is constructed with brass and then platinum plated to give a nice aesthetic appeal. The central contact assembly is made of Ultramid® and the negative contact uses Dyneon™. The barrel is comprised of brass with a shiny black piano lacquer finish. A characteristic impedance of 75 ohms makes this a perfect match for digital audio and video. The maximum size conductor that can be used is 1.5mm² / 16-17 AWG. Maximum diameter of cable with dielectric is 9mm² / 0.354 inches². The barrel is offered in black only.</p>	
WBT-0102Cu nextgen™ Topline (hybrid)	\$55.00
WBT-0102Cu-KIT 4 Plugs, WBT™ solder, Torx™ key, boxed	\$224.00
<p>As above with contacts manufactured from pure oxygen free copper which is plated with a thin layer of 24k gold to provide protection from oxidation. The barrel is offered in black only.</p>	
WBT-0108 Topline	\$58.00
WBT-0108-KIT 4 Plugs, Torx™ key, boxed	\$236.00
<p>Crimp version of the WBT-0101. It is recommended that the signal contact (maximum 16 AWG) and ground (maximum 14 AWG) conductors first be prepared with a crimp sleeve. Connection is made by fastening the conductors with the supplied Torx™ T6 size set screws. The greatest cable diameter that can be accommodated is 9mm² / 0.354 inches².</p>	



RCA TYPE CONNECTORS - RoHS COMPLIANT

ILLUSTRATIONS NOT TO SCALE



WBT-0110Ag nextgen™ Signature (pure)

Retail

\$80.00

WBT-0110Ag-KIT

4 Plugs, WBT™ solder, Torx™ key, boxed

\$324.00

Passivated pure fine silver contacts. The body is constructed of Ultramid®, while the negative contact uses Dyneon™. The Barrel is comprised of Al/Mg alloy for improved rejection of EMI. With a characteristic impedance of 75 ohms, the WBT-0110 makes the perfect match for digital audio and video. The maximum size conductor that can be used is 1.5mm² / 16-17 AWG. Maximum diameter of cable with dielectric is 9mm² / 0.354 inches². Connector body available in nine different colors for multichannel identification. The barrel is offered in cobalt blue only.



WBT-0110Cu nextgen™ Topline (pure)

\$50.00

WBT-0110Cu-KIT

4 Plugs, WBT™ solder, Torx™ key, boxed

\$204.00

As above with contacts manufactured from pure oxygen free copper and plated with a thin layer of 24k gold to provide protection from oxidation. Barrel offered in cobalt blue only



WBT-0144 Midline

\$33.00

WBT-0144-KIT

4 Plugs, WBT™ solder, Torx™ key, boxed

\$136.00

As a midline offering of the WBT-0101, this connector has all the same style and finesse. Differences include a barrel finished in matte black, lower yet efficient machining tolerances and lesser percentage oxygen free copper alloy stock. The largest outside diameter cable that can be accepted by this RCA type connector is 9mm² / 0.354 inches².



WBT-0147 Midline

\$33.00

WBT-0147-KIT

4 Plugs, WBT™ solder, Torx™ key, boxed

\$136.00

While being a compact version of the WBT-0144, shorter and thinner, this connector works well on smaller diameter cables. With a maximum cable diameter of 7.8mm² / 0.307 inches², this is the smallest RCA type plug manufactured by WBT.

**WBT-0150 Topline**

Retail

\$55.00

WBT-0150-KIT

2 Plugs, WBT™ solder, Torx™ key, boxed

\$114.00

This connector is an oversized version of the WBT-0101 with similar construction and features. Accommodates a cable diameter between 9.1-11.3 mm² / 0.358-0.445 inches². There is no color ring available for this plug.

**WBT-0152Ag nextgen™ Signature (hybrid)**

\$86.00

WBT-0152Ag-KIT

4 Plugs, WBT™ solder, Torx™ key, boxed

\$348.00

A new version of the WBT-0150 connector. Improved to utilize the nextgen™ insert. Contacts utilize passivated pure fine silver. The body is constructed with brass and then platinum plated to give a nice aesthetic appeal. The central contact assembly is made of Ultramid® and the negative contact uses Dyneon™. The barrel is comprised of brass and finished in a glossy piano black color. A characteristic impedance of 75 ohms makes this a perfect match for digital audio and video. The maximum size conductor that can be used is 1.5mm² / 16-17 AWG. Maximum diameter of cable with dielectric is 9.1-11.3 mm² / 0.358-0.445 inches². The barrel is offered in black only. There is no color ring available for this plug.

**WBT-0152Cu nextgen™ Topline (hybrid)**

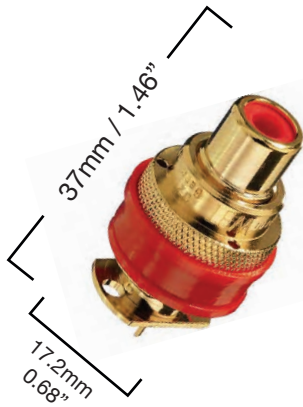
\$55.00

WBT-0152Cu-KIT

4 Plugs, WBT™ solder, Torx™ key, boxed

\$224.00

As above with contacts manufactured from pure oxygen free copper which is plated with a thin layer of 24k gold to provide protection from oxidation. The barrel is offered in black only. There is no color ring available for this plug.

Retail Price List • Effective December 1, 2008

RCA TYPE SOCKETS - RoHS COMPLIANT**ILLUSTRATIONS NOT TO SCALE**

	Retail
WBT-0201 Topline	\$41.00
WBT-0201-KIT 2 Sockets, WBT™ solder, boxed	\$86.00

This RCA type socket is a favorite among many audio enthusiasts. Featuring 99.996% high copper content, the dual prism spring loaded contact, WBT's 24k gold supra-plating process and Teflon™ dielectric. Socket tightens from the outside of a chassis using the included mounting nut. The complete unit includes insulation washers to accommodate a panel thickness from 0.1mm - 4.2mm.

WBT-0210Ag Ms nextgen™ Signature (metal nut)	\$72.00
WBT-0210Ag Ms-KIT (metal nut) 2 Sockets, WBT™ solder, boxed	\$148.00
WBT-0210Ag nextgen™ Signature (pure)	\$72.00
WBT-0210Ag-KIT (pure) 2 Sockets, WBT™ solder, boxed	\$148.00

The highest quality socket available on the market, with passivated pure fine silver contacts for both positive and negative connections. The positive contact utilizes a new tulip shaped spring loaded design to assure a secure connection. Air used as a dielectric surrounds the positive contact. The main body is comprised of 30% glass reinforced Ultramid® with the ground (negative) contact embedded within the connector. The complete unit includes removable insulation washers to accommodate a panel thickness from 0.1mm - 4.2mm.

WBT-0210Cu Ms nextgen™ Topline (metal nut)	\$41.00
WBT-0210Cu Ms-KIT (metal nut) 2 Sockets, WBT™ solder, boxed	\$86.00
WBT-0210Cu nextgen™ Topline (pure)	\$41.00
WBT-0210Cu-KIT (pure) 2 Sockets, WBT™ solder, boxed	\$86.00

As above with both contacts, positive and negative, manufactured from pure oxygen free copper and plated with a thin layer of 24k gold to provide protection from oxidation.



RCA TYPE SOCKETS - RoHS COMPLIANT

ILLUSTRATIONS NOT TO SCALE

PCB MOUNT

WBT-0234 Topline

Retail

\$49.00

Right angle, printed circuit board version of the WBT-0201 with a screw to secure the connection to a printed circuit board. The ground contact is made through the securing screw to the PCB and two additional solder points. The signal, or positive contact, has one solder contact point.

WBT-0244 Midline

\$43.00

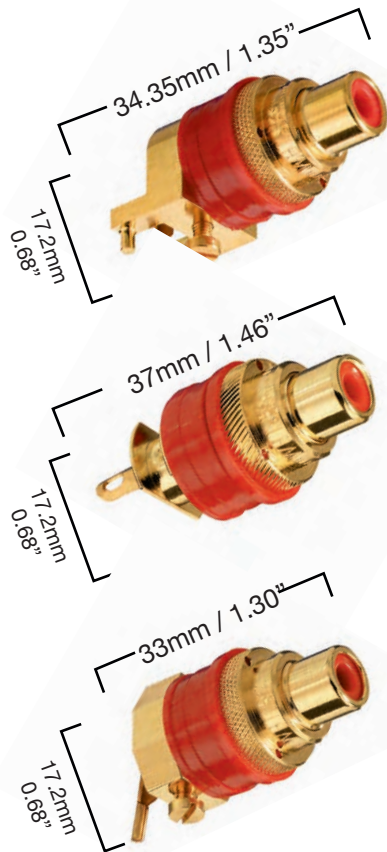
The WBT-0244 is a midline version of the WBT-0201 which differs in the copper content of the main body and the machining tolerances.

PCB MOUNT

WBT-0274 Midline

\$43.00

A midline offering of the WBT-0234, this connector provides a single ground and signal or positive mounting position. The socket body is machined of a lower percentage copper alloy, but the positive contact is made of 99.996% pure copper as with all WBT sockets.



At a Glance RCA Socket Comparison Chart

RCA SOCKETS	Final body finish	External plating, layers & thickness	Maximum cable diameter size accepted	Metallurgic properties of signal contact area	Properties of connector body	Termination			Available marking colors for multichannel identification									
						Solder	Crimp	PCB Mount	Red	Orange	Yellow	Green	Blue	Violet	White	Grey	Black	
WBT0201	24k gold	nickel free 2 layers Bronze 5µm Au 0.3µm	1.5mm ² 16 AWG	99.996% oxygen free copper with 0.3µm 24k gold plating Teflon™ insulated	68% oxygen free copper alloy 0.1-4.2mm mounting panel thickness	●			●		●				○			
WBT0210Ag WBT0210Ag Ms (Ms=metal nut)	grey Ultramid™	non metal	1.5mm ² 16 AWG	100% fine silver (passivated)	main body of Ultramid™ 0.1-4.2mm mounting panel thickness	●			●	●	●	●	●	●	○	○	●	●
WBT0210Cu WBT0210Cu Ms (Ms=metal nut)	grey Ultramid™	non metal	1.5mm ² 16 AWG	99.996% oxygen free copper with 0.5µm 24k gold plating	main body of Ultramid™ 0.1-4.2mm mounting panel thickness	●			●	●	●	●	●	●	○	○	●	●
WBT0234	24k gold	nickel free 5 layers Cu 11µm duplex Pd 4µm Au 0.3µm duplex	printed circuit board mounting (right angle)	99.996% oxygen free copper with 0.3µm 24k gold plating Teflon™ insulated	68% oxygen free copper alloy 0.1-4.2mm mounting panel thickness	●		●	●		●				○			
WBT0244	24k gold	3 layers Cu 1.5µm Ni 8.0µm Au 0.2µm	2.5mm ² 14AWG	99.996% oxygen free copper with 0.3µm 24k gold plating Teflon™Insulated	55% oxygen free copper alloy 0.1-4.2mm mounting panel thickness	●			●		●				○			
WBT0274	24k gold	3 layers Cu 1.5 µm Ni 8.0 µm Au 0.2 µm	printed circuit board mounting (right angle)	99.996% oxygen free copper with 0.3µm 24k gold plating Teflon™ insulated	55% oxygen free copper alloy 0.1-4.2mm mounting panel thickness	●		●	●		●				○			


Retail Price List • Effective December 1, 2008
SPEAKER CONNECTORS - RoHS COMPLIANT
ILLUSTRATIONS NOT TO SCALE

WBT-0600 Topline

Retail

\$51.00

WBT-0600-KIT

4 Plugs, 1 Torx™ key, boxed

\$208.00

Top quality banana plug with robust design and sleeve with polished ruthenium finish. Offering high contact pressure due to an expanding inner spike ensures a solid mechanical fit. Termination fitted with two Torx™ screws size T6 for secure crimp connection as well as cable strain relief. Easy fit for wire size up to 10mm² / 8 AWG.

CE COMPLIANT
WBT-0610Ag nextgen™ Signature - Safety Line

\$72.00

WBT-0610Ag-KIT

4 Plugs, 1 Torx™ key, boxed

\$292.00

Fashioned after the WBT-0645, the WBT-0610 series is part of the nextgen™ line of connectors. It is fully insulated using Makrolon®. A secure connection is possible through an expanding inner spike which provides high clamping power. Using only one hand, cables can be connected in tight spaces with just thumb and forefinger. Two Torx™ screws for extra tight pressure connection and additional cable strain relief. Connector can accommodate a cable diameter size of 10mm² / 8 AWG.

CE COMPLIANT
WBT-0610Cu nextgen™ Signature - Safety Line

\$36.00

WBT-0610Cu-KIT

4 Plugs, 1 Torx™ key, boxed

\$148.00

A copper version of the WBT-0610Ag and is part of the nextgen™ line of connectors. It is fully insulated using Makrolon®. A secure connection is possible through an expanding inner spike which provides high clamping power. Using only one hand, cables can be connected in tight spaces with just thumb and forefinger. Two Torx™ screws for extra tight pressure connection and additional cable strain relief. Connector can accommodate a cable diameter size of 10mm² / 8 AWG.

WBT-0644 Midline

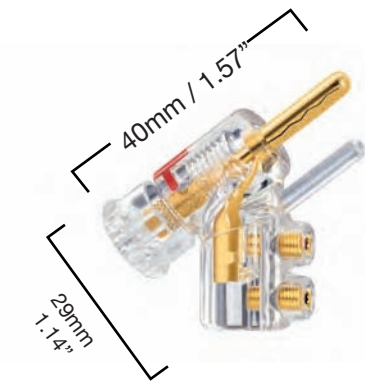
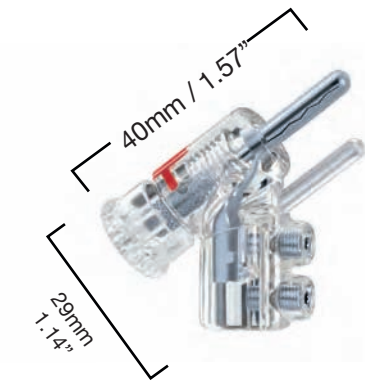
\$36.00

WBT-0644-KIT

4 Plugs, 1 Torx™ key, boxed

\$148.00

A midline offering of the WBT-0600. Differences include a barrel finished in black, lower yet efficient machining tolerances and lesser grade oxygen free copper alloy stock. The largest diameter cable accepted for termination is 10mm² / 8 AWG.





SPEAKER CONNECTORS - RoHS COMPLIANT

ILLUSTRATIONS NOT TO SCALE

CE COMPLIANT

STACKABLE

Retail

WBT-0645 Midline - Safety Line

\$36.00

WBT-0645-KIT

4 Plugs, 1 Torx™ key, boxed

\$148.00

An innovative banana plug approved worldwide as a loudspeaker cable connector due to the safety pin design. It is fully insulated using Makrolon®. A secure connection is possible through an expanding inner spike which provides high clamping power. Using only one hand, cables can be connected in tight spaces with just thumb and forefinger. The WBT-0645 is stackable for bi-wiring. Two Torx™ screws for extra tight pressure connection and additional cable strain relief. Connector can accommodate a cable diameter size of 10mm² / 8 AWG.

CE COMPLIANT

WBT-0661Ag Signature

\$72.00

WBT-0661Ag-KIT

4 Plugs, 1 Torx™ key, boxed

\$292.00

1/4 inch / 6.4mm sandwich spade connector. Pure fine silver contact is direct platinum plated to protect against tarnish. High current spade lug with elastomeric shock absorber for progressive contact pressure eliminating structure born and air born noise as well as magnetostriction. Fully insulated body is safe to use and conforms to international safety standards. Easy fit for wire sizes up to 10mm² / 8AWG.

CE COMPLIANT

WBT-0661Cu Topline

\$36.00

WBT-0661Cu-KIT

4 Plugs, 1 Torx™ key, boxed

\$148.00

High current spade lug with elastomeric shock absorber for progressive contact pressure eliminating structure born and air born noise as well as magnetostriction. Fully insulated body conforms to international safety standards. 1/4 inch / 6.4mm sandwich spade connector. Pure oxygen free copper contact is direct gold plated to protect against oxidation. Easy fit for wire sizes up to 10mm² / 8AWG.

CE COMPLIANT

WBT-0681Ag Signature

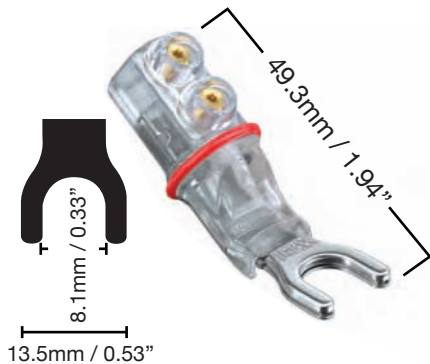
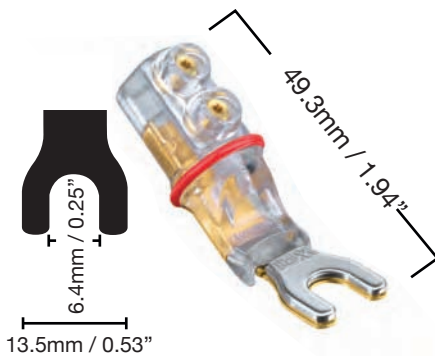
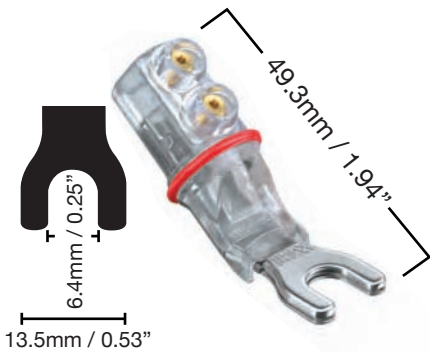
\$72.00

WBT-0681Ag-KIT

4 Plugs, 1 Torx™ key, boxed

\$292.00

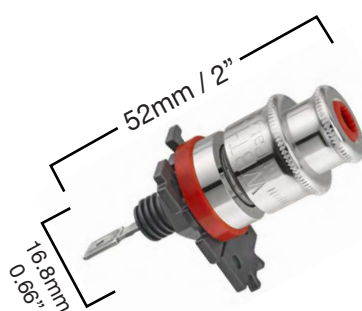
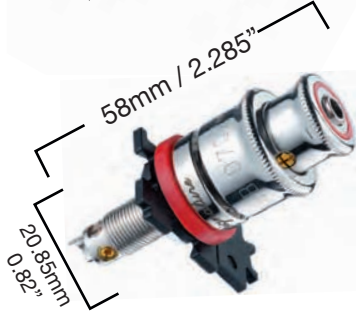
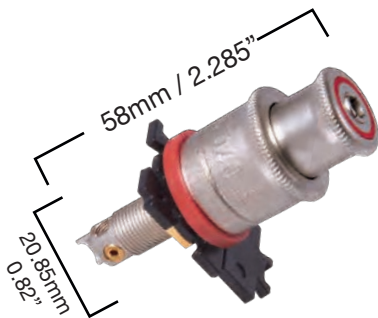
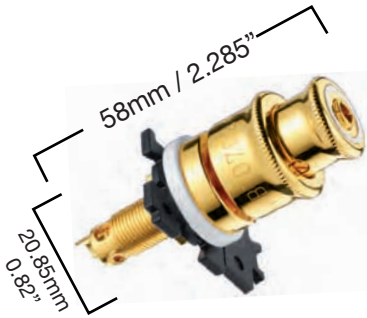
Same as the WBT-0661Ag but in a larger size of 5/16 inch / 8.1mm sandwich spade connector. Pure fine silver contact is direct platinum plated to protect contact metal from tarnish. Easy fit for wire sizes up to 10mm² / 8AWG.





BINDING POSTS - RoHS COMPLIANT

ILLUSTRATIONS NOT TO SCALE



WBT-0702.01 Topline

Retail

\$77.00

WBT-0702.01-KIT

2 posts, 1 Torx™ key, boxed

\$158.00

With a 400 ampere continuous current capability, this is the perfect size binding post for demanding applications. A patented clamping mechanism makes it possible for high compression connection of spades and crimped wire ends up to 6mm² (10AWG). By means of a collet chucking device, any 4mm² banana plug can be securely clamped. Milled grooves on both sides of the compression plate provide high strength for connection of spades. No tools are required to provide a secure connection. Finger tightening is all that is required. This connector will not fit on 3/4" or 19mm center to center spacing.

WBT-0702.03 Topline

\$71.00

WBT-0702.03-KIT

2 posts, 1 Torx™ key, boxed

\$146.00

Same as above (WBT-0702.01) but with a glass bead blasted finish in velours chromium. Looks like sand blasted nickel.

WBT-0702.11 Signature

\$95.00

WBT-0702.11-KIT

2 posts, 1 Torx™ key, boxed

\$194.00

Comparable design as the WBT-0702.01 except it is manufactured using cold rolled 68% copper alloy. The connector is then plated with a single layer of 24k gold to protect against oxidation. Finally, it is polished by hand to give an extreme finish.

WBT-0702.12 Signature

\$95.00

WBT-0702.12-KIT

2 posts, 1 Torx™ key, boxed

\$194.00

This binding post makes use of the same features as the WBT-0702.11 but with a highly polished platinum finish.

CE COMPLIANT

WBT-0705Ag nextgen™ Signature

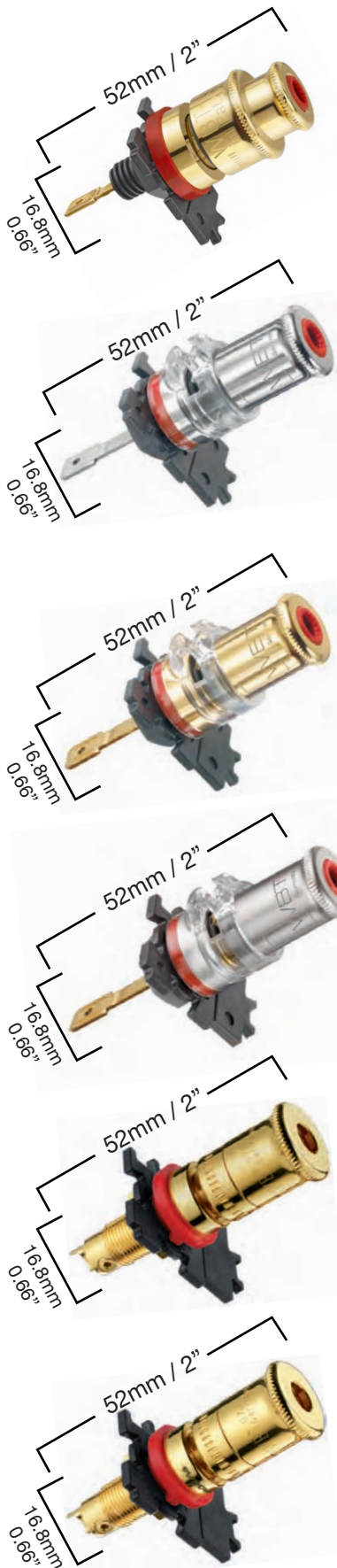
\$119.00

WBT-0705Ag-KIT

4 posts, WBT™ solder, boxed

\$480.00

WBT's flagship terminal with compact design. Equipped with filigree signal conductor made from fine silver and constructed on the nextgen principle. Grants highest conductivity. Fully insulated. CE and IEC conformable. Accepts 4-mm bananas, spades as well as crimped cable ends up to 4 mm² (11 AWG). Outer metal cap with platinum finish.



Retail Price List • Effective December 1, 2008

BINDING POSTS - RoHS COMPLIANT**ILLUSTRATIONS NOT TO SCALE****CE COMPLIANT****WBT-0705Cu nextgen™ Topline**

Retail

\$77.00

WBT-0705Cu-KIT

4 posts, WBT™ solder, boxed

\$312.00

Same characteristics as WBT-0705Ag, but with signal conductor made of pure copper, directly gold-plated, nickel-free. Fully insulated.

CE COMPLIANT**WBT-0710Ag nextgen™ Signature**

\$85.00

WBT-0710Ag-KIT

4 posts, WBT™ solder, boxed

\$344.00

A 30 ampere continuous current rating. Made with passivated pure fine silver. Spade lugs measuring 6mm, standard 4 mm² banana plugs and wire with a diameter of 6mm² (10AWG) can be accepted. Maximum mounting depth of 4mm without use of puzzle washer.

CE COMPLIANT**WBT-0710Cu nextgen™ Topline**

\$55.00

WBT-0710Cu-KIT

4 posts, WBT™ solder, boxed

\$224.00

With the same manufacturing design as the WBT-0710Ag but created using 99.996% pure oxygen free copper. The connector is then plated with a single layer of 24k gold to protect against oxidation.

CE COMPLIANT**WBT-0710Cu mC nextgen™ Topline**

\$55.00

WBT-0710Cu mC-KIT

4 posts, WBT™ solder, boxed

\$224.00

Brother to the WBT-0710Cu but with a velours chromium tightening nut.

WBT-0730.01 Topline

\$43.00

WBT-0730.01-KIT

4 posts, 2 spacer blocks, 1 Torx™ key, boxed

\$176.00

A 200 ampere continuous current rating makes this connector sufficient for most functions. Spade connectors are securely held with a patented high compression design. Wire with a diameter of 6mm² (10AWG) can also be accepted. Accepts 4 mm² banana plugs.

WBT-0730.11 Signature

\$58.00

WBT-0730.11-KIT

4 posts, 2 spacer blocks, 1 Torx™ key, boxed

\$236.00

With the same manufacturing design as the WBT-0730.01 but created using cold rolled 68% copper alloy. The connector is plated with a single layer of 24k gold to protect against oxidation. Finally, it is polished by hand to give an extreme finish.



BINDING POSTS - RoHS COMPLIANT

ILLUSTRATIONS NOT TO SCALE



WBT-0730.12 Signature

Retail

\$58.00

WBT-0730.12-KIT

4 posts, 2 spacer blocks, 1 Torx™ key, boxed

\$236.00

Brother to the WBT-0730.11 but with a highly polished platinum finish.

CE COMPLIANT

WBT-0735 Topline – Safety Line

\$48.00

WBT-0735-KIT

4 posts, 2 spacer blocks, 1 Torx™ key, boxed

\$196.00

Utilizing a full insulation of Makrolon®, this binding post is part of WBT's safety line and is a CE and IEC compliant version of the WBT-0730.01.

WBT-0763 Midline

\$30.00

WBT-0763-KIT

4 posts, 2 spacer blocks, set screws, 1 Torx™ key, boxed

\$124.00

A standard binding post for many high end amplifier and loudspeaker companies. This binding post features a patented rotating collar design that requires only finger tightening to securely fasten a spade. Able to handle 200 amperes of continuous current, this is just the right size binding post for nearly all applications. Set screw not included.

PCB MOUNT

WBT-0764 Midline

\$34.00

WBT-0764-KIT

4 posts, 2 spacer blocks, 1 Torx™ key, boxed

\$140.00

Screw on printed circuit board version of the WBT-0763, can also accept ring terminal lugs.

CE COMPLIANT

WBT-0765 Midline – Safety Line

\$34.00

WBT-0765-KIT

4 posts, 2 spacer blocks, set screws, 1 Torx™ key, boxed

\$140.00

Using full insulation of Makrolon®, this binding post is part of WBT's safety line and is a CE and IEC compliant version of the WBT-0763

CE COMPLIANT

PCB MOUNT

WBT-0766 Midline – Safety Line

\$38.00

WBT-0766-KIT

4 posts, 2 spacer blocks, 1 Torx™ key, boxed

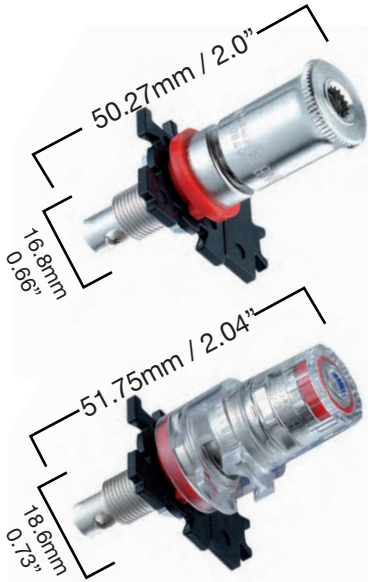
\$156.00

With the same characteristics as the WBT-0765 except this post is designed for direct mounting on printed circuit board with included bolt and lock washer.



BINDING POSTS - INCLUDES INSULATING WASHER AND SET NUT

ILLUSTRATIONS NOT TO SCALE



PCB MOUNT

WBT-0780 Economy	\$28.00
-------------------------	---------

WBT's least expensive binding post model featuring a unique finish of velours chromium and is manufactured from brass. Available termination options include crimp, solder and bolt on printed circuit board. Crimp screw and set screw can be purchased separately.

CE COMPLIANT PCB MOUNT

WBT-0785 Economy – Safety Line	\$33.00
---------------------------------------	---------

The WBT-0785 is a safety line version of the WBT-0780.

At a Glance Binding Post Comparison Chart						Termination			Available marking colors for Multichannel identification								
BINDING POSTS	Final body finish	External Plating, layers & thickness	Maximum Cable diameter accepted	Metallurgic properties	Special Notes	Solder	Crimp	PCB Mount	Red	Orange	Yellow	Green	Blue	Violet	White	Grey	Black
All terminals can be installed at 90° steps, 30° and 45° steps when used with WBT-9404 8.5 Nm torque = 6.273 Ft Lbs, 1.1 Nm torque = 0.8118 Ft Lbs																	
WBT0702.01	24k gold	nickel free 3 layers Cu 11µm Pd 4µm Au 0.3µm	4mm ² banana 1/4" spade 5/16" spade 10 AWG	68% oxygen free copper alloy	locking collet for 4mm ² bananas recommended torque for counter nut: 8.5Nm	●	●		●						○		●
WBT0702.03	velours chromium	glass bead blasted 1 layer Ni 5.0µm	4mm ² banana 1/4" spade 5/16" spade 10 AWG	68% oxygen free copper alloy	locking collet for 4mm ² bananas recommended torque for counter nut: 8.5Nm	●	●		●						○		●
WBT0702.11	24k gold (highly polished)	1 layer Au 0.3µm	4mm ² banana 1/4" spade 5/16" spade 10 AWG	68% cold rolled oxygen free copper alloy	locking collet for 4mm ² bananas recommended torque for counter nut: 8.5Nm	●	●		●						○		●
WBT0702.12	platinum (highly polished)	1 layer Pt 0.3µm	4mm ² banana 1/4" spade 5/16" spade 10 AWG	68% cold rolled oxygen free copper alloy	locking collet for 4mm ² bananas recommended torque for counter nut: 8.5Nm	●	●		●						○		●
WBT0705Ag	CE-compliant Tedur™	none	4mm ² banana 1/4" spade 5/16" spade 10 AWG	100% pure fine silver passivated	Internal pressure damping ring maximum mounting depth is 4mm	●	●		●						○		●
WBT0705Cu	CE-compliant Tedur™	none	4mm ² banana 1/4" spade 5/16" spade 10 AWG	99.996% oxygen free copper plated with 24k Au	Internal pressure damping ring maximum mounting depth is 4mm	●	●		●						○		●
WBT0710Ag	CE-compliant Tedur™	none	4mm ² banana 1/4" spade 5/16" spade 10 AWG	100% pure fine silver passivated	Internal pressure damping ring maximum mounting depth is 4mm	●	●		●						○		●
WBT0710Cu	CE-compliant Tedur™	none	4mm ² banana 1/4" spade 5/16" spade 10 AWG	99.996% oxygen free copper plated with 24k Au	Internal pressure damping ring maximum mounting depth is 4mm	●	●		●						○		●



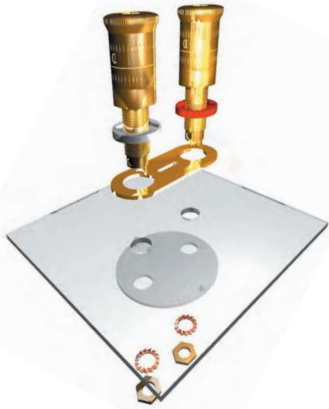
BINDING POST CONTINUED
ILLUSTRATIONS NOT TO SCALE

At a Glance Binding Post Comparison Chart Continued						Termination			Available marking colors for Multichannel identification										
All terminals can be installed at 90° steps, 30° and 45° steps when used with WBT-9404 8.5 Nm torque = 6.273 Ft Lbs, 1.1 Nm torque = 0.8118 Ft Lbs						Solder	Crimp	PCB Mount	Red	Orange	Yellow	Green	Blue	Violet	White	Grey	Black		
BINDING POSTS	Final body finish	External plating, layers & thickness	Maximum cable diameter accepted	Metallurgic properties	Special Notes														
WBT0710Cu mC	CE-compliant Tedur™	none	4mm ² banana 1/4" spade 5/16" spade 10 AWG	99.996% oxygen free copper plated with 24k Au	Internal pressure damping ring maximum mounting depth is 4mm	●	●		●							○		●	
WBT0730.01	24k gold	nickel free 3 layers Cu 11µm Pd 4µm Au 0.3µm	4mm ² banana 1/4" spade 10 AWG	68% oxygen free copper alloy	recommended torque for counter nut: 8.5Nm	●	●		●								○		●
WBT0730.11	24k gold (highly polished)	1 layer Au 0.3µm	4mm ² banana 1/4" spade 10 AWG	68% cold rolled oxygen free copper alloy	recommended torque for counter nut: 8.5Nm	●	●		●								○		●
WBT0730.12	platinum (highly polished)	1 layer Pt 0.3µm	4mm ² banana 1/4" spade 10 AWG	68% cold rolled oxygen free copper alloy	recommended torque for counter nut: 8.5Nm	●	●		●								○		●
WBT0735	CE-compliant Makrolon™ over 24k gold	CE-compliant Makrolon™ over 24k gold	4mm ² banana 1/4" spade 10 AWG	68% oxygen free copper alloy	recommended torque for counter nut: 8.5Nm	●	●		●								○		●
WBT0763	24k gold	3 layers Cu 1.5µm Ni 8.0µm Au 0.2µm	4mm ² banana 1/4" spade 10 AWG	52% oxygen free copper alloy	recommended torque for counter nut: 8.5Nm	●	●		●								○		●
WBT0764	24k gold	3 layers Cu 1.5µm Ni 8.0µm Au 0.2µm	4mm ² banana 1/4" spade 10 AWG	52% oxygen free copper alloy	recommended torque for counter nut: 8.5Nm recommended torque for PCB bolt, 1.1Nm	●		●	●								○		●
WBT0765	CE-compliant Makrolon™ over 24k gold	3 layers Cu 11µm Ni 4.0µm Au 0.3µm	4mm ² banana 1/4" spade 10 AWG	52% oxygen free copper alloy	recommended torque for counter nut: 8.5Nm	●	●		●								○		●
WBT0766	CE-compliant Makrolon™ over 24k gold	3 layers Cu 11µm Ni 4.0µm Au 0.3µm	4mm ² banana 1/4" spade 10 AWG	52% oxygen free copper alloy	recommended torque for counter nut: 8.5Nm recommended torque for PCB bolt, 1.1Nm	●		●	●								○		●
WBT0780	velours chromium	glass bead blasted 1 layer Ni 5.0µm	4mm ² banana 1/4" spade 10 AWG	brass	recommended torque for counter nut: 8.5Nm recommended torque for PCB bolt, 1.1Nm	●	●	●	●								○		●
WBT0785	CE-compliant Makrolon™ over velours chromium	glass bead blasted 1 layer Ni 5.0µm	4mm ² banana 1/4" spade 10 AWG	brass	recommended torque for counter nut: 8.5Nm recommended torque for PCB bolt, 1.1Nm	●	●	●	●								○		●



BINDING POST ACCESSORIES - RoHS COMPLIANT

ILLUSTRATIONS NOT TO SCALE



WBT-0716 Thick panel mounting kit

Gold plated finish

Retail

\$19.00

WBT-0719 Thick panel mounting kit

Chromium Velours finish

\$19.00

Suggested use requires counter sinking of cabinet with a router or 50mm Forstner drill bit.



1 plastic interior bracket



1 gold-plated brass exterior bracket
or



1 velours chromium exterior bracket



2 fan shaped washers



WBT-0715
Extension Bolt

Retail

\$10.00

Extension piece used with WBT binding posts to accommodate mounting into material with a thickness from 9mm - 50mm / (0.35" - 2"). Comes with mounting nut and aggressive lock washer. This piece is machined of brass.



WBT-9302

Chrome Plated Counternut

Retail

\$2.00

Fastens horizontally or vertically to circuit board with included bolt and lock washer. Torx™ screw fastens jumper wire, other end of lead wire connects to binding post.



WBT-0721
PCB Adapter Block

\$9.00

Fastens horizontally or vertically to circuit board with included bolt and lock washer. Torx™ screw fastens jumper wire, other end of lead wire connects to binding post.



WBT-9303

Gold Plated Counternut

\$4.00

Specialty nut only available from WBT. M9 thread



WBT-0799
Safety Stick

\$1.00

Specially shaped plastic peg inserts into binding post banana hole. Required to accomplish CE safety conformity (red, white & black).

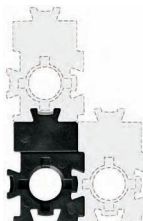


WBT-9404

Spacer Block

\$3.00

Fits all binding posts except WBT-0702 and WBT-0710 series. Plastic insulating spacer block. Available in red, white, or black. Post can adjust in angle every 30 or 45 degrees. 3/4" (19mm) spacing.



WBT-9410

\$1.00

To take best advantage of the puzzle washers, at least two should be clipped together. They can be arranged to obtain either 0.75" (19mm) or 1.181" (30mm) spacing. The puzzle washer allows a very tight terminal installation on housings from 0.1mm - 10mm thickness.



WBT-9102
Antifatigue Bolt

\$3.00

Antifatigue bolt with fan shape washer. Used with WBT-0780 and WBT-0785.



WBT-9150
Fan Shape Lock Washer

\$2.00

Recommended addition to all WBT binding posts.



T-6 Torx™ Set Screw
Replacement

\$2.00

Available 4mm - 8mm lengths. Please specify length when ordering.



WBT-QD25

\$0.75

Gold plated brass quick disconnect for use with WBT-0710 series binding posts. Allows solder free connection to binding post.



MOUNTING PLATES & ASSEMBLIES - RoHS COMPLIANT

ILLUSTRATIONS NOT TO SCALE



WBTV-0540.05 Shown



WBTV-0541.05 Shown

	Retail
WBTV-0510.05 Two post assembly Clear anodized aluminum finish.	\$140.00
WBTV-0510.06 Two post assembly Black anodized finish.	\$140.00
Anodized aluminum plate with two WBTV-0763 Midline posts. Includes a closed cell foam rubber gasket and 4 wood screws.	
WBTV-0520.05 Two post assembly Clear anodized aluminum finish.	\$150.00
WBTV-0520.06 Two post assembly Black anodized finish.	\$150.00
Anodized aluminum plate with two WBTV-0765 safety line posts. Includes a closed cell foam rubber gasket and 4 wood screws.	
WBTV-0540.05 Two post assembly Clear anodized aluminum finish.	\$192.00
WBTV-0540.06 Two post assembly Black anodized finish.	\$192.00
Anodized aluminum plate with two WBTV-0710Cu safety line posts. Includes a closed cell foam rubber gasket and 4 wood screws.	
WBTV-0511.05 Four post assembly Clear anodized aluminum finish.	\$221.00
WBTV-0511.06 Four post assembly Black anodized finish.	\$221.00
Anodized aluminum plate with four WBTV-0763 Midline posts. Includes a closed cell foam rubber gasket and 6 wood screws.	
WBTV-0521.05 Four post assembly Clear anodized aluminum finish.	\$239.00
WBTV-0521.06 Four post assembly Black anodized finish.	\$239.00
Anodized aluminum plate with four WBTV-0765 safety line posts. Includes a closed cell foam rubber gasket and 6 wood screws.	
WBTV-0541.05 Four post assembly Clear anodized aluminum finish.	\$320.00
WBTV-0541.06 Four post assembly Black anodized finish.	\$320.00
Anodized aluminum plate with four WBTV-0710Cu safety line posts. Includes a closed cell foam rubber gasket and 6 wood screws.	

MOUNTING PLATES & ASSEMBLIES - RoHS COMPLIANT

ILLUSTRATIONS NOT TO SCALE



WBT-0542.05 Shown



WBT-0512.05 Four post assembly

Clear anodized aluminum finish.

Retail

\$230.00

WBT-0512.06 Four post assembly

Black anodized finish.

\$230.00

Anodized aluminum plate with four WBT-0763 Midline posts.
Includes a closed cell foam rubber gasket and 6 wood screws.

WBT-0522.05 Four post assembly

Clear anodized aluminum finish.

\$249.00

WBT-0522.06 Four post assembly

Black anodized finish.

\$249.00

Anodized aluminum plate with four WBT-0765 safety line posts.
Includes a closed cell foam rubber gasket and 6 wood screws.

WBT-0542.05 Four post assembly

Clear anodized aluminum finish.

\$331.00

WBT-0542.06 Four post assembly

Black anodized finish.

\$331.00

Anodized aluminum plate with four WBT-0710Cu safety line posts. Includes a closed cell foam rubber gasket and 6 wood screws.

WBT-0530.05

Clear anodized aluminum finish.

\$85.00

WBT-0530.06

Black anodized finish.

\$85.00

Punched for 2 posts. Includes a closed cell foam rubber gasket and 4 wood screws.

WBT-0531.05 (Bi-Wire)

Clear anodized aluminum finish.

\$115.00

WBT-0531.06 (Bi-Wire)

Black anodized finish.

\$115.00

Punched for 4 posts. Includes a closed cell foam rubber gasket and 6 wood screws.

WBT-0532.05 (Bi-Wire)

Clear anodized aluminum finish.

\$125.00

WBT-0532.06 (Bi-Wire)

Black anodized finish.

\$125.00

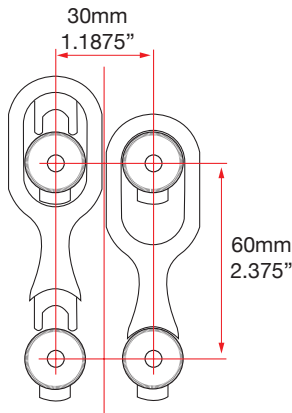
Punched for 4 posts. Includes a closed cell foam rubber gasket and 6 wood screws.

Custom Laser engraving of graphics and/or text available for all Mounting Plates. Call for Pricing.



POWER BRIDGE JUMPER - RoHS COMPLIANT

ILLUSTRATIONS NOT TO SCALE



	Retail
WBT-0725 Cu Power Bridge - Safety Line Pure copper, gold plated	\$24.00
WBT-0725 Ag Power Bridge - Safety Line Pure silver, platinum plated	\$48.00
WBT-0726 Economy Power Bridge Pure copper, velour chromium plated Non-insulated and not vibration damped	\$10.00

Designed primarily for the OEM market to meet strict European CE safety standards, the WBT-0725 Cu/Ag Power bridge replaces the brass jumpers found as standard equipment on most speakers.

Uninsulated jumpers are no longer legal in Europe as they pose a shock threat due to lack of insulation. The WBT Power Bridges address this problem as they are fully insulated with Makrolon® plastic for shock protection and, because both terminals are removed at the same time, the “live-wire” situation is avoided. The back of the Power Bridge is damped with an elastomer to minimize vibration.

Power Bridges can be used in conjunction with any WBT™ binding post (except the WBT-0702 series). When purchased with WBT™ posts, Power Bridges make an excellent modification to any bi-wire loudspeaker. Please refer to the diagram to the left for required mounting dimensions. These dimensions are the only that work. The WBT power bridges are not flexible.

Tools



	Retail
WBT-0198 nextgen™ assembly tool Used for the unassembled and assembly of nextgen series of RCA type plugs. One tool is all that is required.	\$4.00
WBT-0299 RCA Socket Wrench Specially designed for tightening the metal mounting nut on WBT™ RCA type sockets. Spike on tool fits into hole in mounting nut. Permits tightening without scratching the nut or socket.	\$60.00
WBT-0717 Holding Tool Used when mounting binding posts. Snaps into the two posts and holds them in alignment. The WBT-0717 also prevents the posts from rotating while tightening the nuts.	\$88.00
WBT-0499 Cutting Shears Shears cut through fine stranded copper cable up to #5AWG with a cleaving action for a clean even cut. Gold plating protects against corrosion. With a little practice, also good for stripping speaker cable.	\$140.00

TOOLS CONTINUED

ILLUSTRATIONS NOT TO SCALE


WBT-0403 Crimping Pliers

Retail

\$140.00

Crimping pliers with special multiple spike jaw. The only tool designed to correctly crimp WBT™ crimp sleeves. Gold plating protects against corrosion. Comfortable, plastic-coated grip.


WBT-0411 Crimp KIT

\$250.00

Includes one WBT-0403 crimping pliers and an assortment of copper crimp sleeves in a convenient carrying case. Silver sleeves sold separately. Copper sleeves included with the WBT-0411 are as follows:

20 pcs WBT-0430	20 AWG (uninsulated)	20 pcs WBT-0442	14-13 AWG
20 pcs WBT-0431	18-19 AWG (uninsulated)	20 pcs WBT-0443	11-12 AWG
20 pcs WBT-0432	17 AWG (uninsulated)	20 pcs WBT-0444	9-10 AWG
20 pcs WBT-0433	15-16 AWG (uninsulated)	10 pcs WBT-0445	7-8 AWG


WBT-0488 Torx™ Key

\$6.00

T-6 size fits all WBT™ set screws. For temporary use only.


WBT-0481 Torque Screwdriver

\$250.00

The WBT-0481 is a precision torque screwdriver with an elegant design. Torque is set to 5 dNm for precise tightening of all WBT parts utilizing the Torx™ T-6 size. 4mm² hole in the end for the attachment of a ground lead, if a static electricity ground is needed. Includes one T-6 Torx™ bit.


WBT-0490 Torque Screwdriver Set

\$375.00

This kit includes one WBT-0481 Dyna-key along with the WBT-0484 bit assortment in a jewel case for keeping it all together. Additional bits are available separately. (see below)

WBT™ BITS FOR TORQUE SCREW DRIVER


WBT-0485 SLOT BITS —	WBT-0485 PHILLIPS BITS +	WBT-0485 TORX™ BITS ★	WBT-0485 HEX BITS ●
Available Sizes	Available Sizes	Available Sizes	Available Sizes
1.5mm	000	T6	1.3mm — 0.050"
2.0mm	00	T7	1.5mm — 0.059"
2.5mm	0	T8	1.59mm — 1/16"
3.0mm	1	T10	2.0mm — 5/64"
3.5mm*		T15*	2.38mm — 3/32"
4.0mm*		T20*	2.5mm — 0.098"
			3.0mm* — 0.118"
			4.0mm* — 0.157"

*Not included in the WBT-0484 Bit-Set. Special Order Only.

WBT-0484 Bit-Set

Bit Set (18 types).

\$160.00

WBT-0485/XXX

Choice of any one bit from the above list.

\$12.00



WBT SOLDER

ILLUSTRATIONS NOT TO SCALE

WBT™ 4% SILVER SOLDER (Lead based)

All WBT™ Solder is the highest quality solder with 4% fine silver content. The halogen-free flux is gentle on precious metal surfaces. The melting temperature is extremely low at 180°C / 356°F.



WBT-0800 Silver Solder 4% Ag

Retail

\$24.00

0.9mm diameter 42grams / 0.123 lbs. 10m / 32.8 ft



WBT-0820 Silver Solder 4% Ag

\$81.00

0.8mm diameter 250grams / 0.575 lbs. 73m / 239 ft



WBT-0840 Silver Solder 4% Ag

\$147.00

1.2mm diameter 500grams / 1.140 lbs. 57m / 187 ft

WBT™ LEAD Free 4% SILVER SOLDER - RoHS COMPLIANT (Tin based)

WBT™ Lead free solder is the highest quality solder with 4% fine silver content. The halogen-free flux is gentle on precious metal surfaces. The melting temperature is easily accomplished at 219°C / 426°F.



WBT-0805 Silver Solder 4% Ag

Retail

\$37.00

0.9mm diameter 42grams / 0.123 lbs. 10m / 32.8 ft



WBT-0825 Silver Solder 4% Ag

\$113.00

0.8mm diameter 250grams / 0.575 lbs. 73m / 239 ft



WBT-0845 Silver Solder 4% Ag

\$220.00

1.2mm diameter 500grams / 1.140 lbs. 57m / 187 ft







**CRIMP SLEEVES - RoHS COMPLIANT**

ILLUSTRATIONS ARE TO SCALE





WB T™ cable end sleeves are made of special oxygen free copper or pure fine silver. Available in all standard sizes from 0.5mm² - 16mm², also with transparent insulation collar from 1.5mm² - 16mm². Insulated sleeves provide additional cable strain relief. Available in bulk bags, assortments or single pieces. Copper sleeves are 24k gold plated and silver sleeves are platinum plated.

WB T™ Crimp Sleeves	mm ²	AWG	Per Each Sleeve
			Retail
 WBT-0430	0.5	#20	\$1.00
 WBT-0431	0.75	#19	\$1.00
 WBT-0432	1.0	#17	\$1.00
 WBT-0433	1.5	#16	\$1.00
 WBT-0434	2.5	#14	\$1.00
 WBT-0435	4.0	#12	\$1.00
 WBT-0436	6.0	#10	\$1.00
 WBT-0437	10.0	#8	\$2.00
 WBT-0438	16.0	#6	\$2.00

WB T™ Crimp Sleeves with Insulated Collar

 WBT-0441	1.5	#16	\$2.00
 WBT-0442	2.5	#14	\$2.00
 WBT-0443	4.0	#12	\$2.00
 WBT-0444	6.0	#10	\$3.00
 WBT-0445	10.0	#8	\$3.00
 WBT-0446	16.0	#6	\$4.00

WB T™ Silver Crimp Sleeves with Insulated Collar

 WBT-0450	1.5	#16	\$6.00
 WBT-0451	2.5	#14	\$7.00
 WBT-0452	4.0	#12	\$10.00
 WBT-0453	6.0	#10	\$12.00



Assortments are packaged in plastic dispensers as shown.

WB T-0470 Crimp Sleeve Assortment

\$344.00

1 bag each of WBT-0430, 31, 32, 33, 34, 41 & 42

WB T-0471 Crimp Sleeve Assortment

\$327.00

1 bag each of WBT-0435, 36, 37 & 38

WB T-0472 Crimp Sleeve Assortment

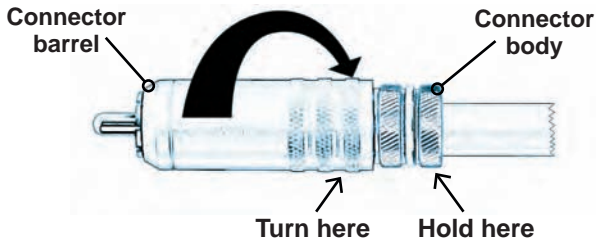
\$173.00

1 bag each of WBT-0443, 44, 45 & 46

RCA TYPE CONNECTOR TIGHTENING INSTRUCTIONS

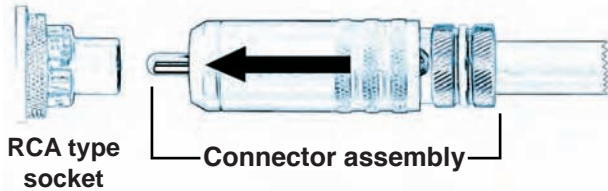
Step 1

Loosen barrel of the male connector.



Step 2

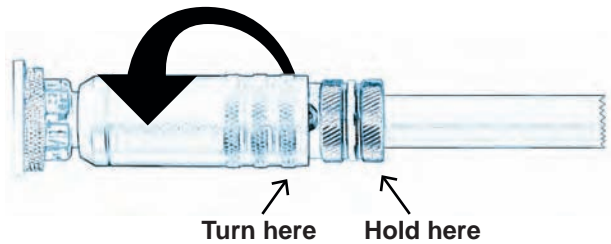
Insert the connector into the socket.



Step 3

Hold the connector body and tighten the barrel.

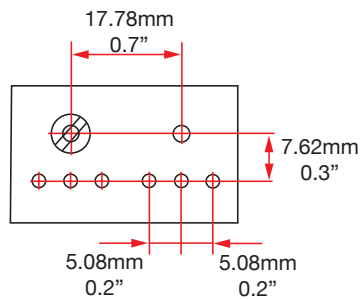
WARNING: To prevent damage to cable and/or socket, turn barrel only, do not allow connector body to turn! Do not over tighten!



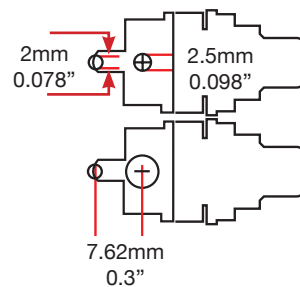
REMEMBER TO REVERSE ABOVE STEPS WHEN REMOVING THE CONNECTORS. Failure to properly unlock the connector may result in equipment damage!

RCA Socket Mounting Dimensions

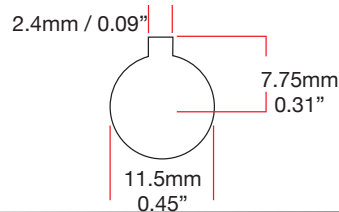
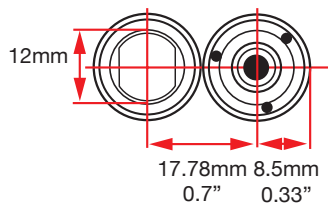
WBT-0234



WBT-0274



All WBT RCA Type Sockets require the following mounting hole dimensions



WBT-0645 Install Instructions

Tightening knob



NOTICE:
Expanded pin
when tightened

Remember to reverse above steps when removing the connector. Failure to properly unlock the connector may result in equipment, cable, or connector damage!

Step 1



Loosen tightening knob. Insert into the connector.

Step 2



Tighten the knob by turning clockwise.

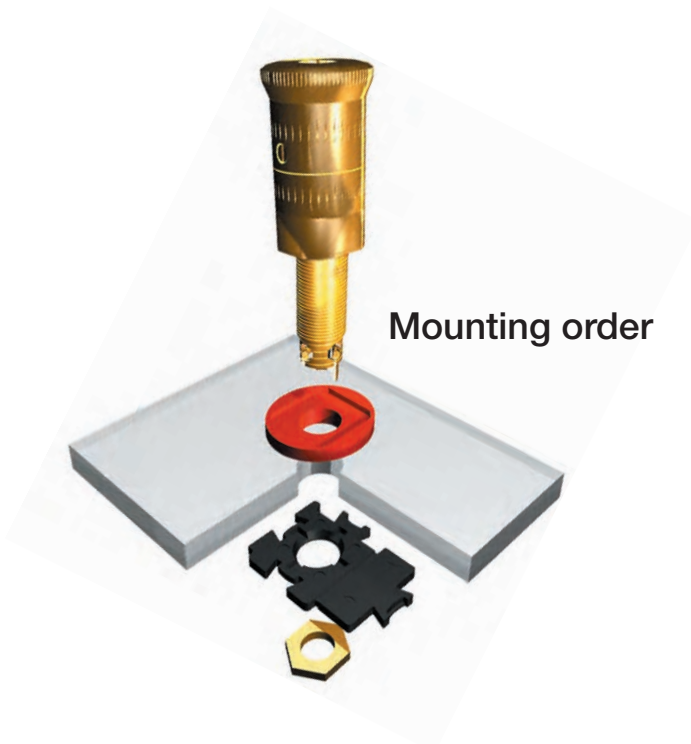
Step 3



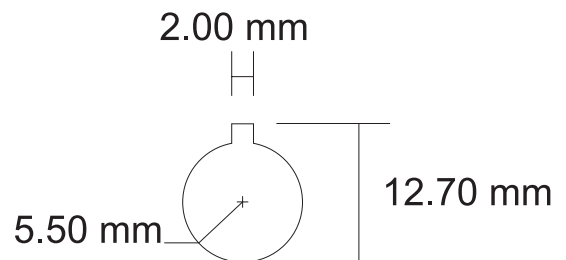
After tightened, the connector should look like this.

WARNING! Do not fully tighten knob unless inserted into banana hole.

Binding Post Assembly



Mounting order



Binding post hole cutout dimensions for insulation washer (measurements in mm)

CRIMPING TECHNIQUE

ILLUSTRATIONS NOT TO SCALE

WBT's crimping technique has been designed to ensure a high quality and durable crimp. For the procedure itself, one must strip the desired cable and insert it into the proper size crimp sleeve. Then, carefully place the wire and sleeve into the proper slot on the crimper and apply a powerful squeeze. WBT's unique crimp tool design creates a crescent shaped crimp which forces the wire to flow together, thus creating the illusion of a single strand of wire. Trim the sleeve, including the wire, to the desired length to fit the application. When using one of WBT's solderless connectors, simply loosen the set screw on the connector then insert the crimped end of the cable into the connector, tighten using the Torx™ bit.



Wire is stripped and the appropriate size crimp sleeve is slid onto the strands.



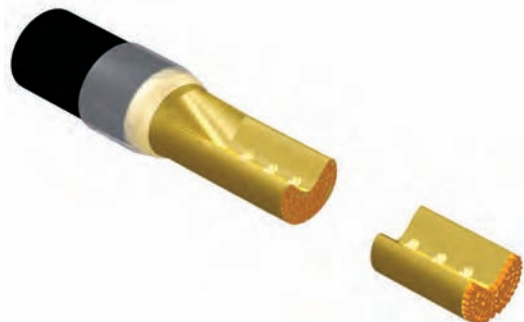
Sleeve is then crimped onto wire with crimping pliers.



The result should look like this.



Use WBT-0499 cutters to trim crimped wire end to fit in WBT™ crimp technique connector.



Crimped cable end ready for use in WBT™ crimp technique connectors.

