



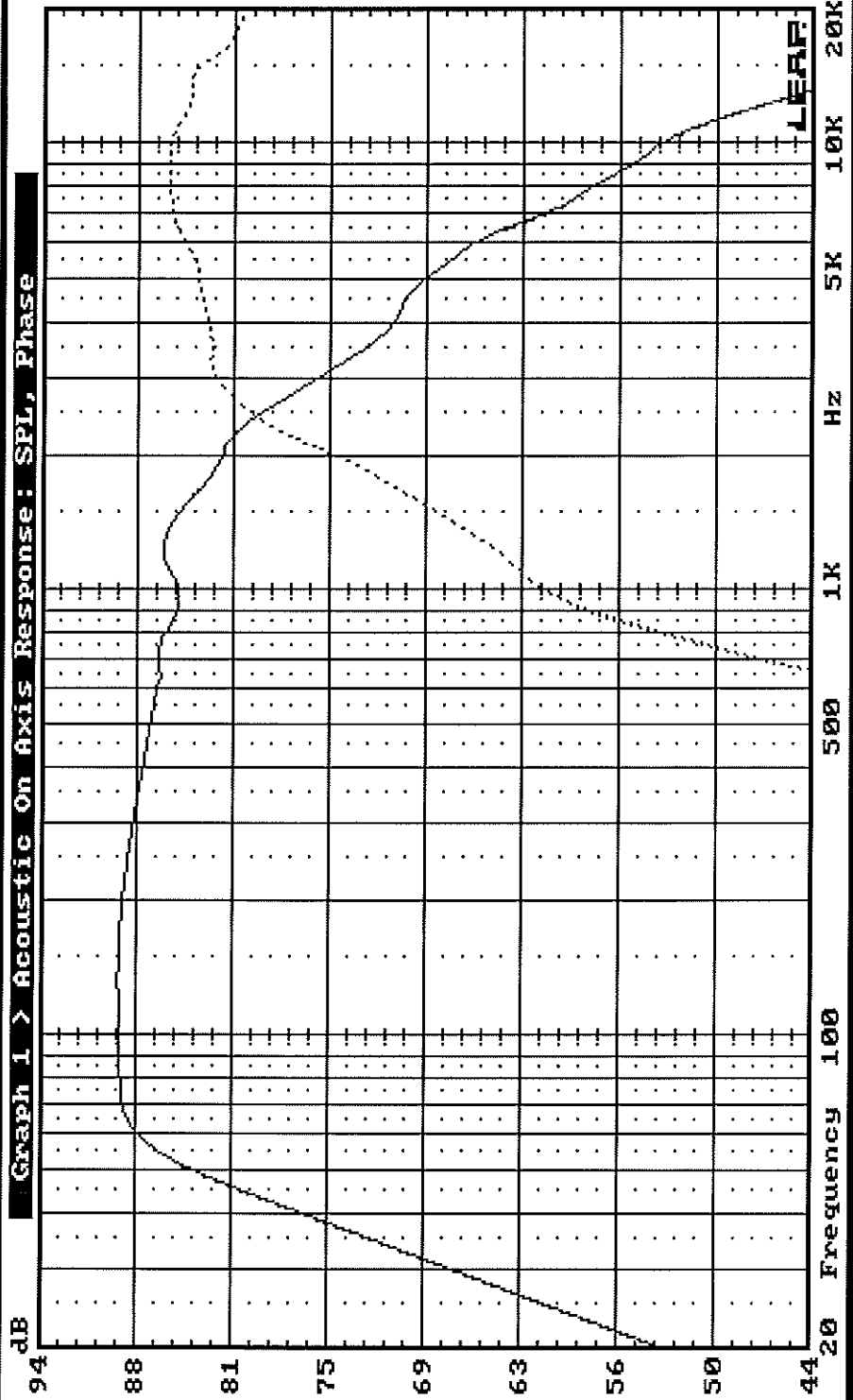
Loudspeaker Enclosure Analysis Program
Ver 4.60, (C)1994 LinearX Systems Inc

Oct Mon
6:2014
6:03PM

DGL Library:
SB_ACUT9.DGL

— DGL Entry:19, Name:SB13PFC25-08 TZD SPLD

..... DGL Entry: 6, Name:MDT-12 UZD SPLD





Loudspeaker Enclosure Analysis Program
Ver 4.60, (C)1994 LinearX Systems Inc

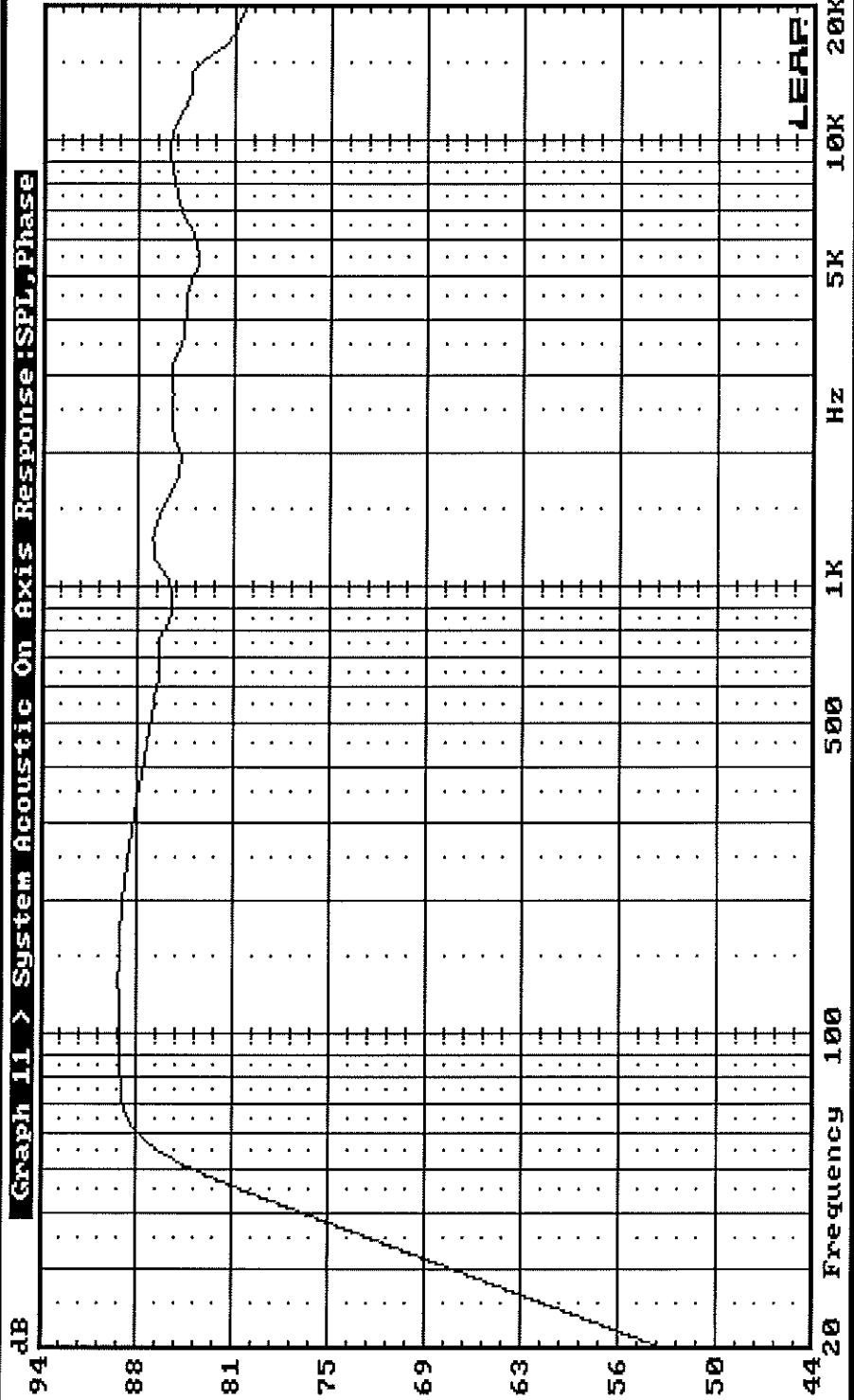
DGL Library:
SB_ACUT9.DGL

Oct 6:2014
Mon 6:03PM

— DGL Entry:19, Name:SB13PFC25-08 IZD SPLD

..... DGL Entry: 6, Name:MDT-12 VZD SPLD

Graph 11 > System Acoustic On Axis Response:SPL,Phase





Loudspeaker Enclosure Analysis Program
Ver 4.60, (C)1994 LinearX Systems Inc

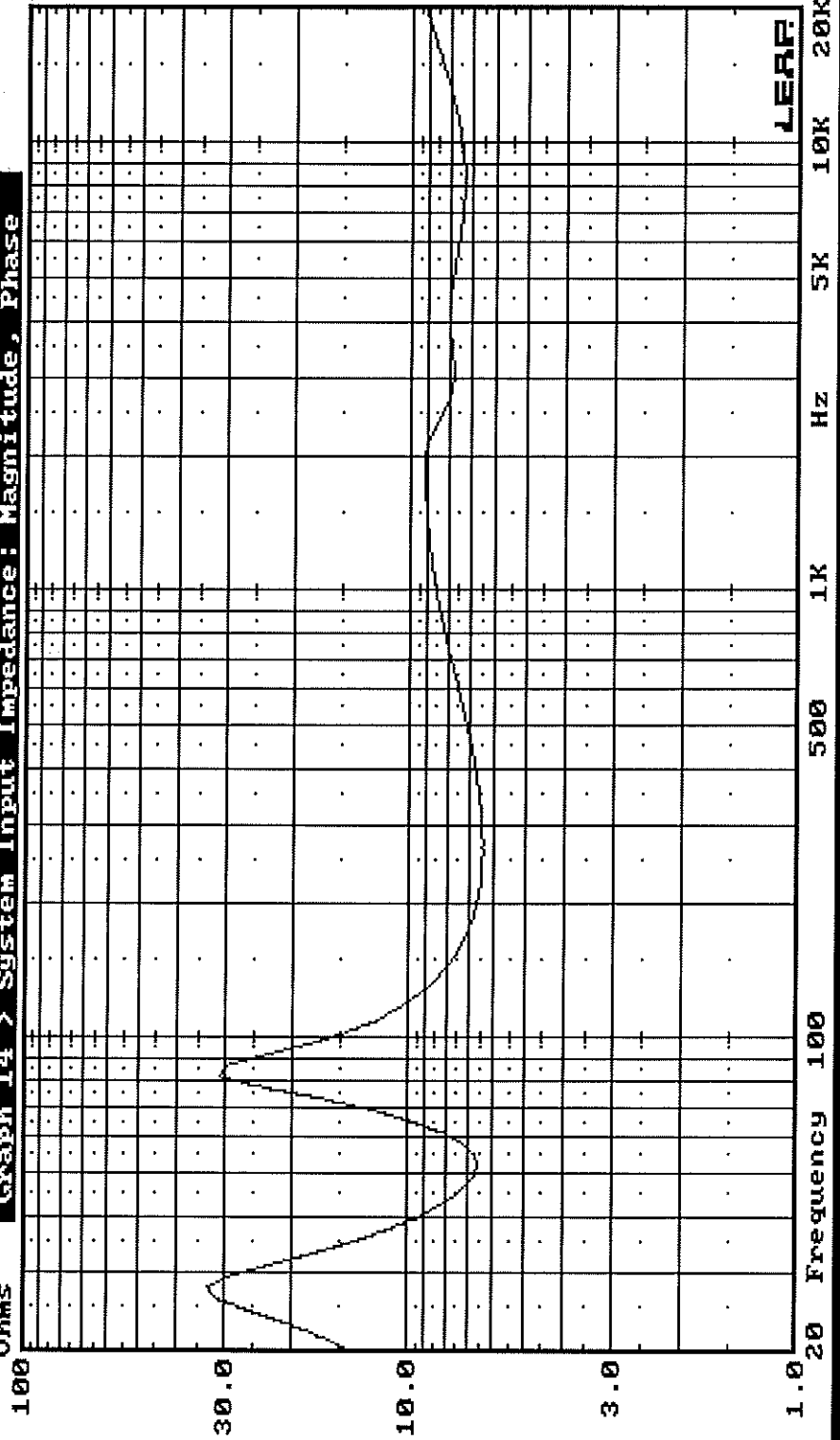
Oct 6:2014
Mon 6:03PM

DGL Library:
SB_ACUT9.DGL

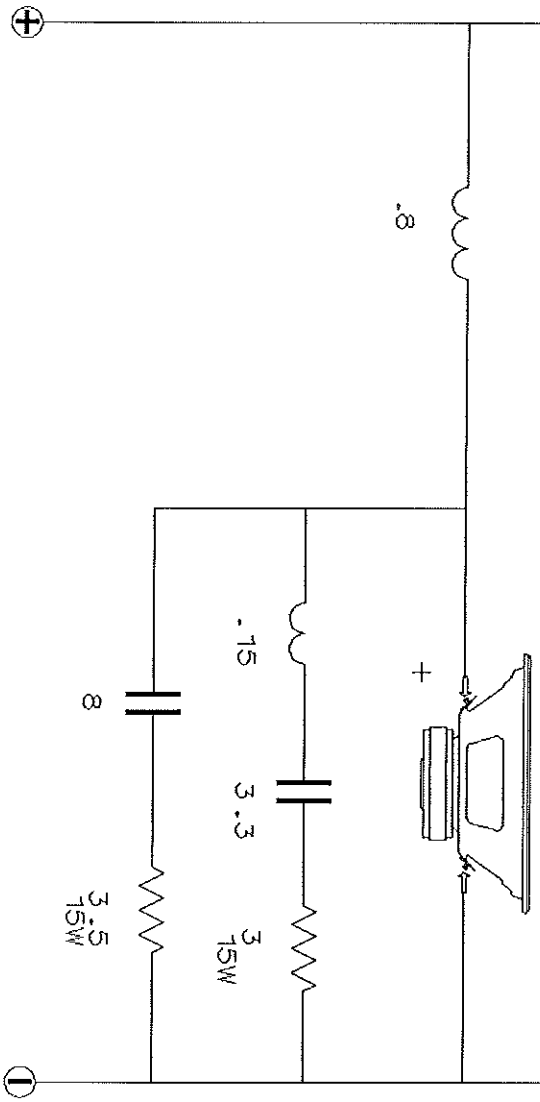
— DGL Entry:19, Name:SB13PFC25-08 TZD SPLD

..... DGL Entry: 6, Name:MDT-12 VZD SPLD

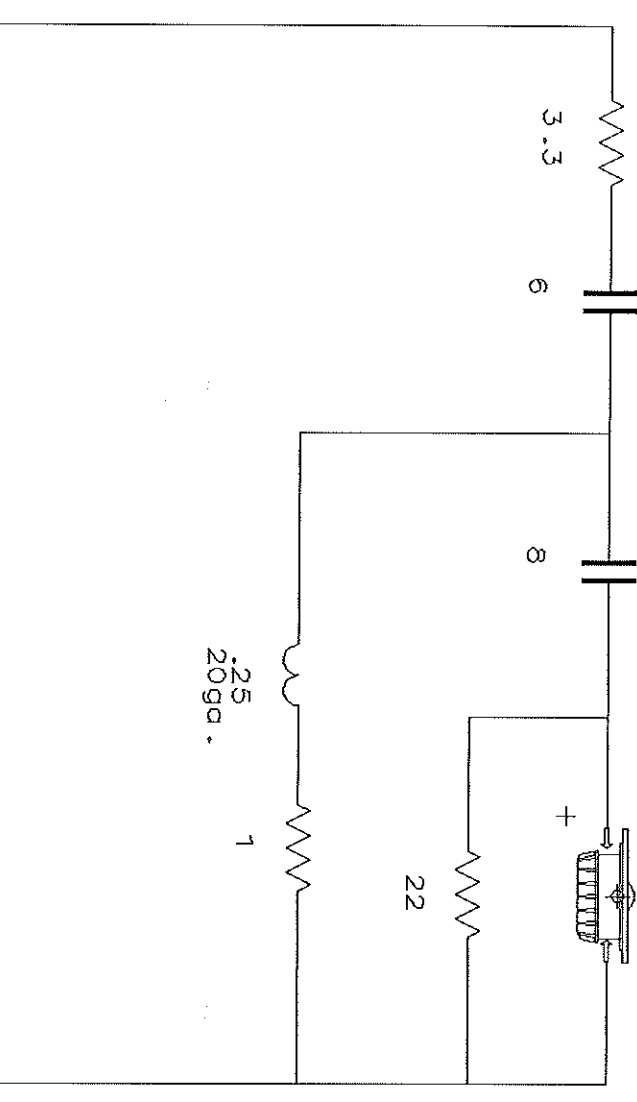
Ohms Graph 14 > System Input Impedance: Magnitude, Phase



CUSTOMER :



13PFC25-08



MDT 12

