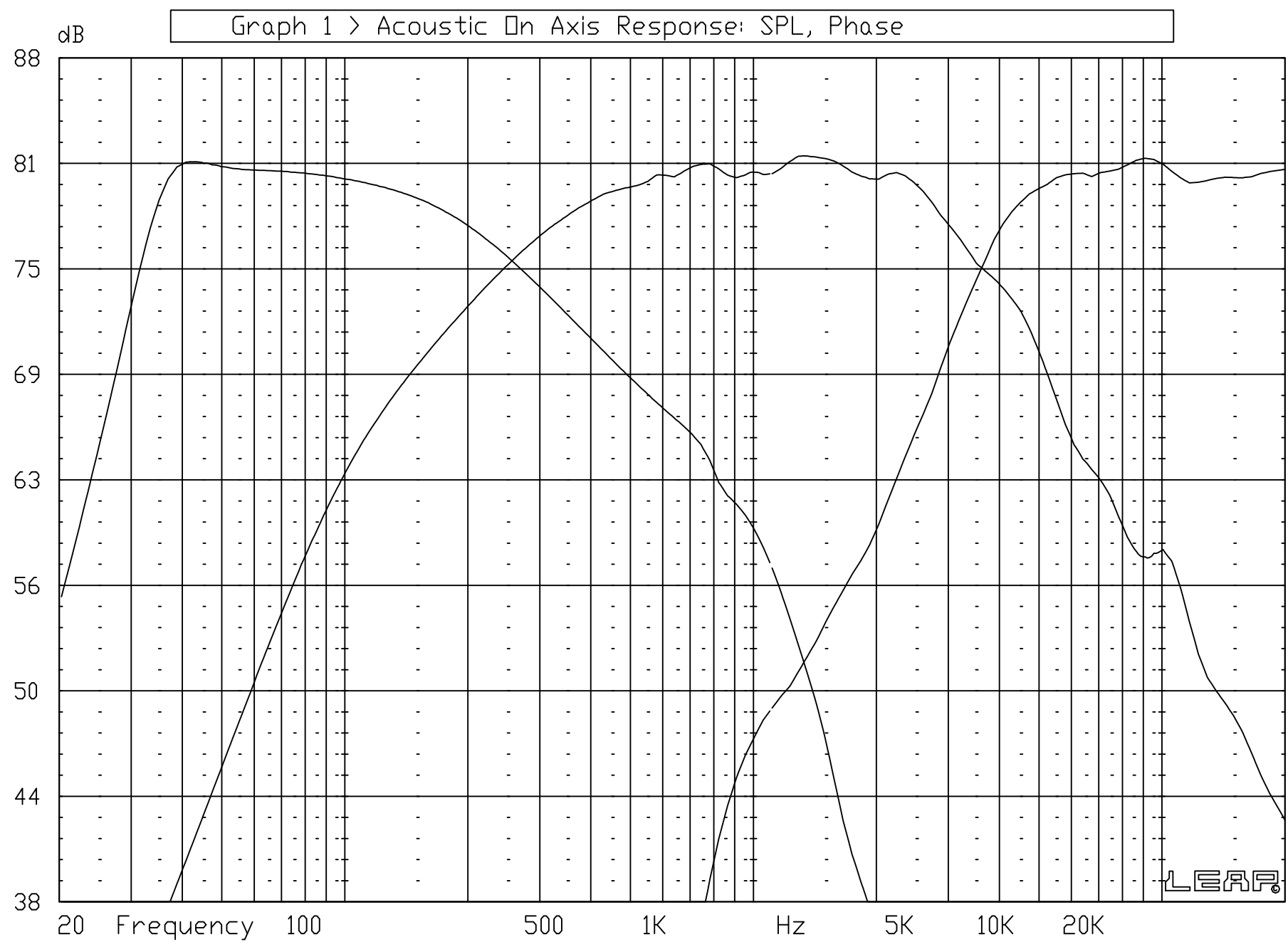


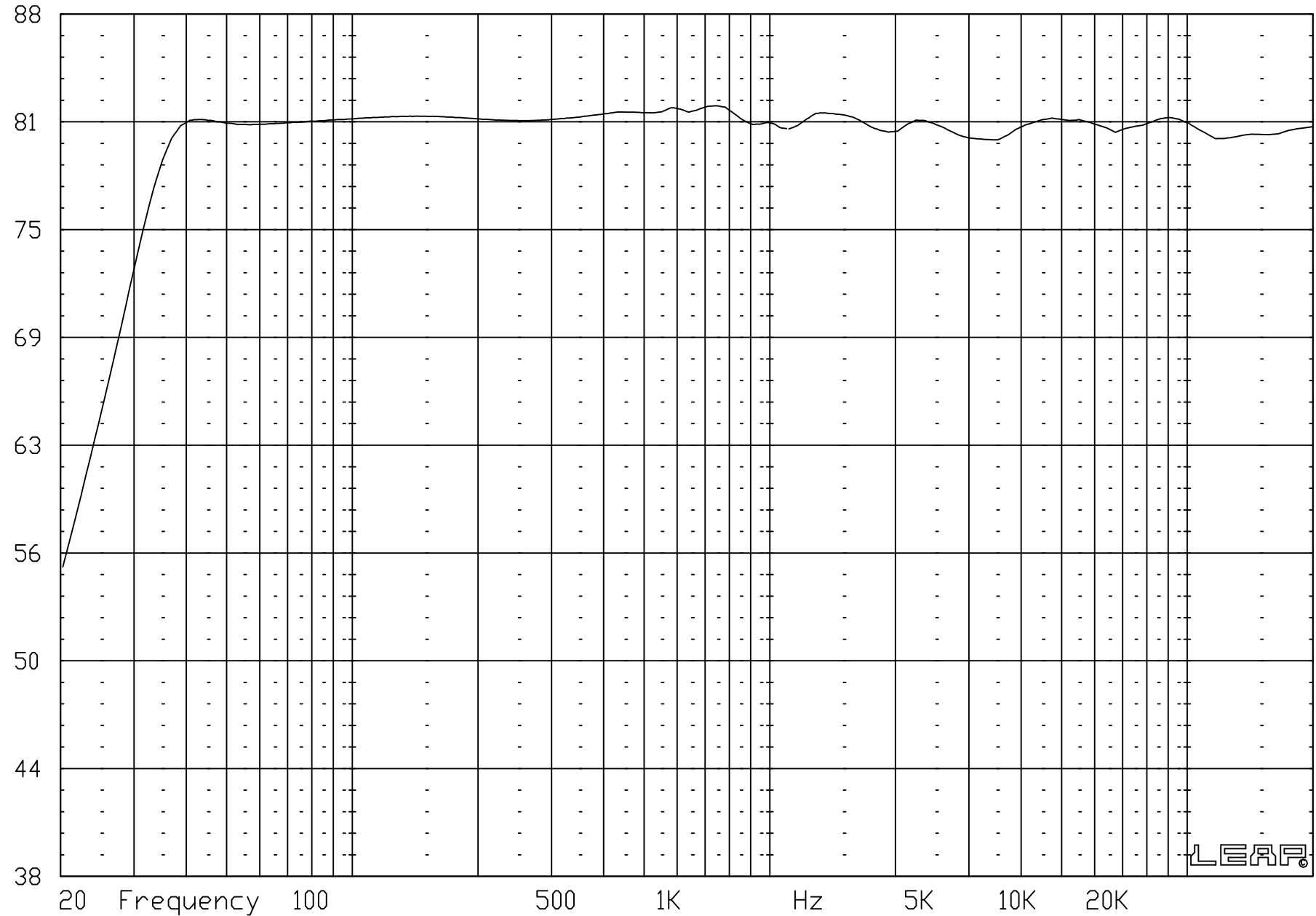
- DGL Entry:20, Name:AS190-9-251
- DGL Entry:10, Name:C'90-6-724 TZD SPLD
- DGL Entry: 6, Name:C'25-6-158 VZD SPLD





- DGL Entry:20, Name:AS190-9-251
- DGL Entry:10, Name:C'90-6-724 TZD SPLD
- DGL Entry: 6, Name:C'25-6-158 VZD SPLD

Graph 11 > System Acoustic On Axis Response:SPL,Phase





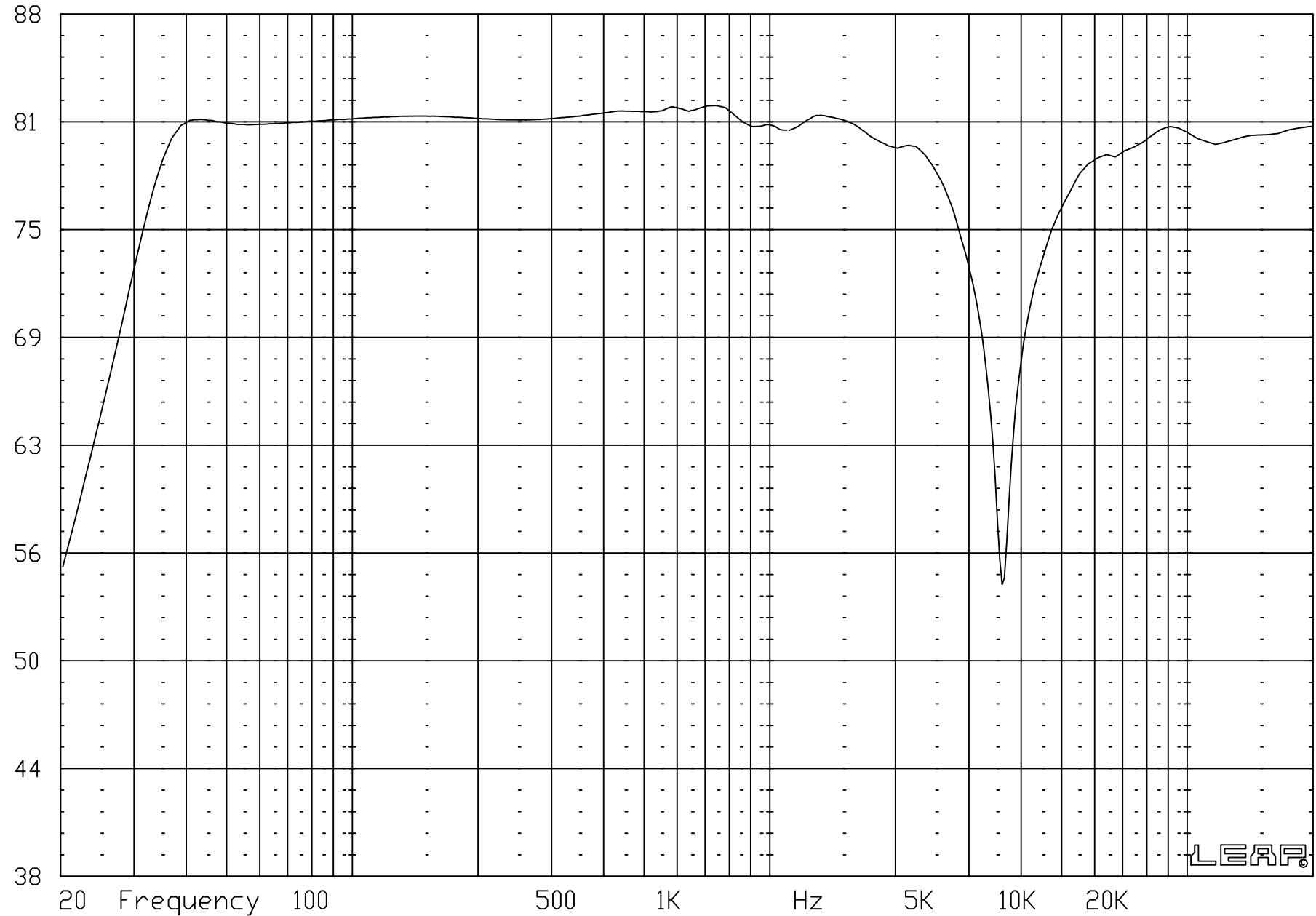
- DGL Entry:20, Name:AS190-9-251

- DGL Entry:10, Name:C'90-6-724 TZD SPLD

- DGL Entry: 6, Name:C'25-6-158 VZD SPLD

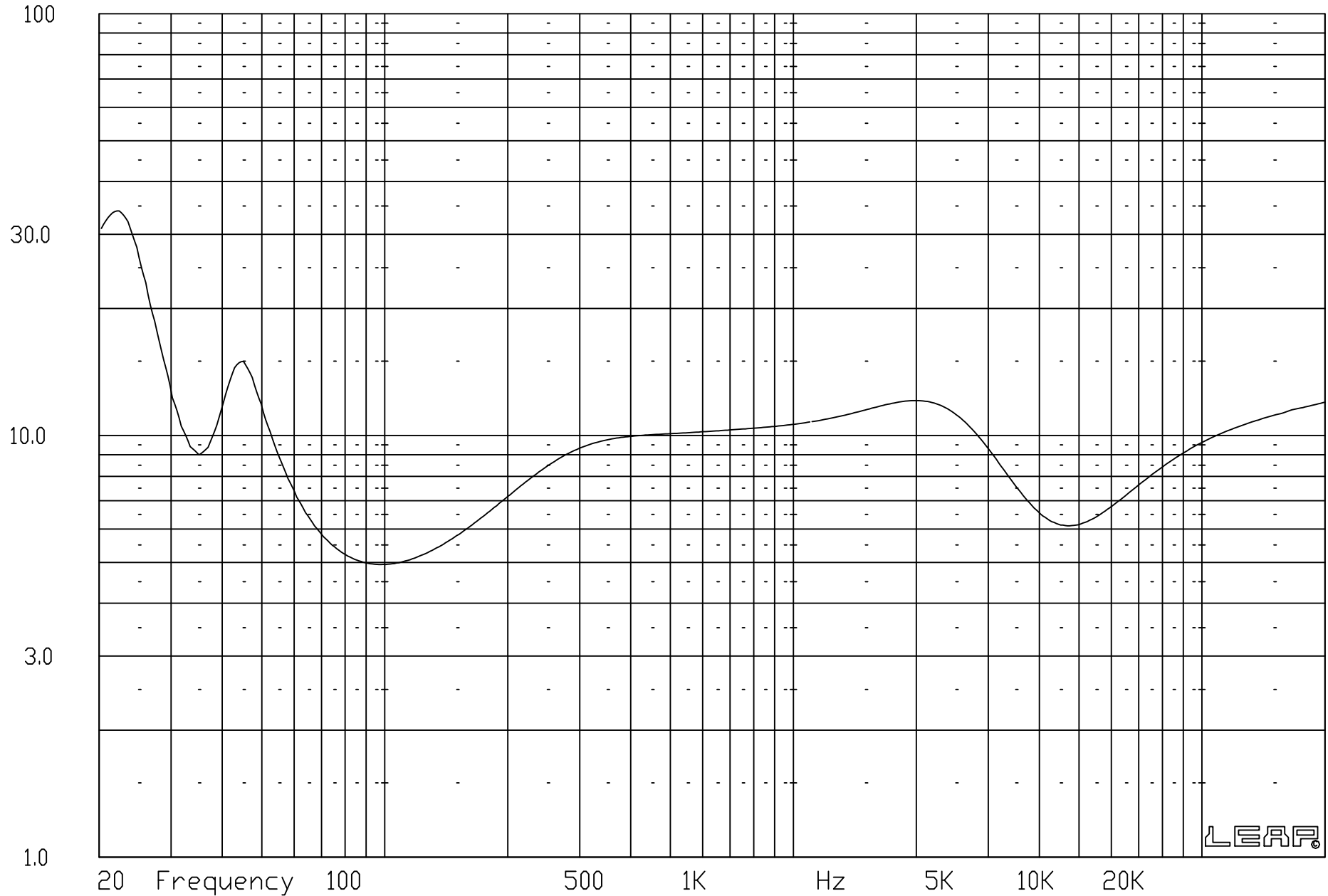
M- / T+

Graph 11 > System Acoustic On Axis Response:SPL,Phase

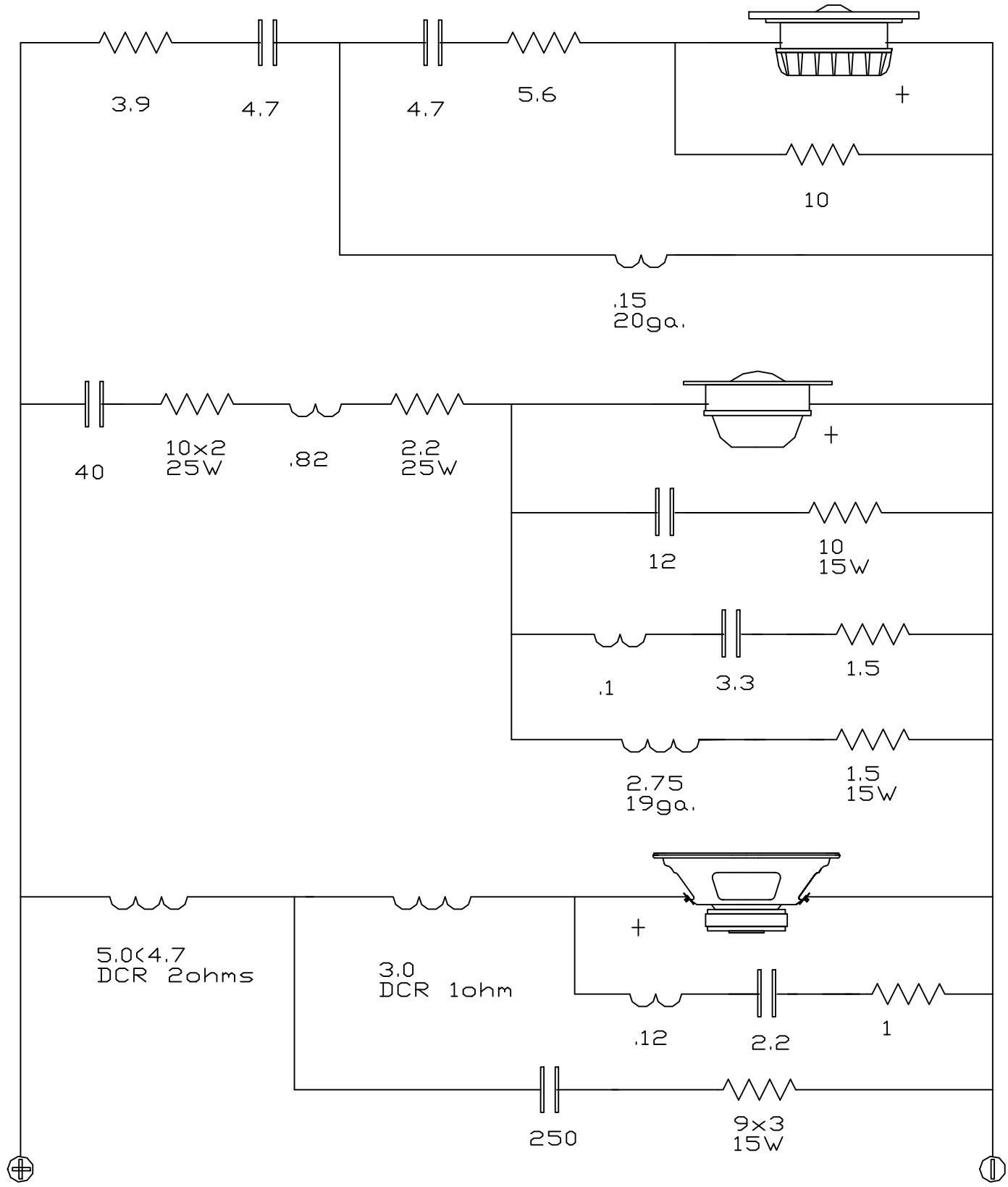


- DGL Entry:20, Name:AS190-9-251
- DGL Entry:10, Name:C'90-6-724 TZD SPLD
- DGL Entry: 6, Name:C'25-6-158 VZD SPLD

Graph 14 > System Input Impedance: Magnitude, Phase



CUSTOMER:



C25-6-158

C90-6-724
.2FT3

AS190-9-251
1.0FT3
2x2" dia.
7" long

<1.5ft3 same ports ext bsss shelf>

ANECHOIC

TOM ROBERTS

7/29/15

NOTES: x