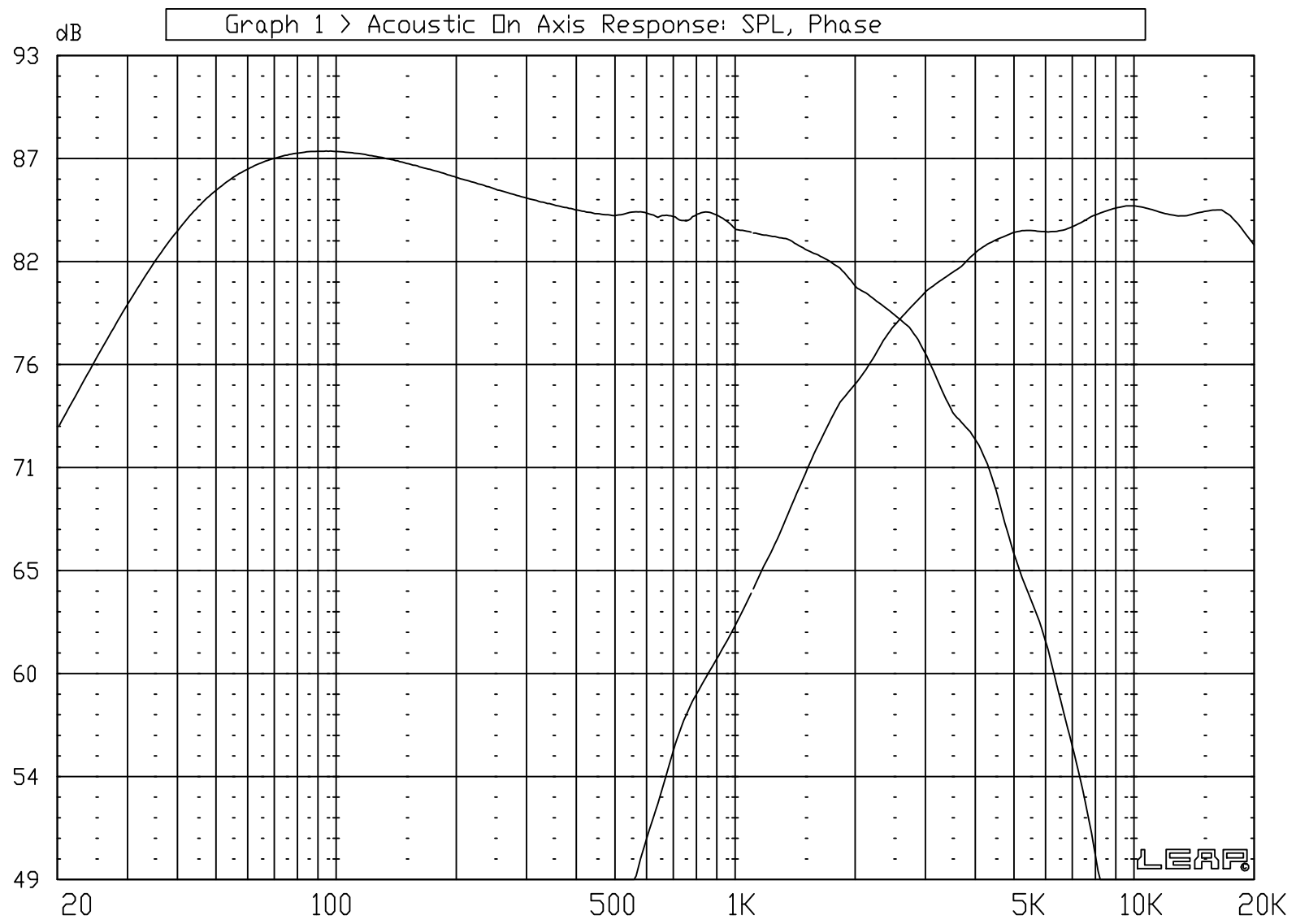


— DGL Entry:16, Name:18W/8535 TZD SPLD

— DGL Entry: 5, Name:D2010/8513 VZD SPLD



— DGL Entry:16, Name:18W/8535 TZD SPLD

— DGL Entry: 5, Name:D2010/8513 VZD SPLD



— DGL Entry:16, Name:18W/8535 TZD SPLD

— DGL Entry: 5, Name:D2010/8513 VZD SPLD

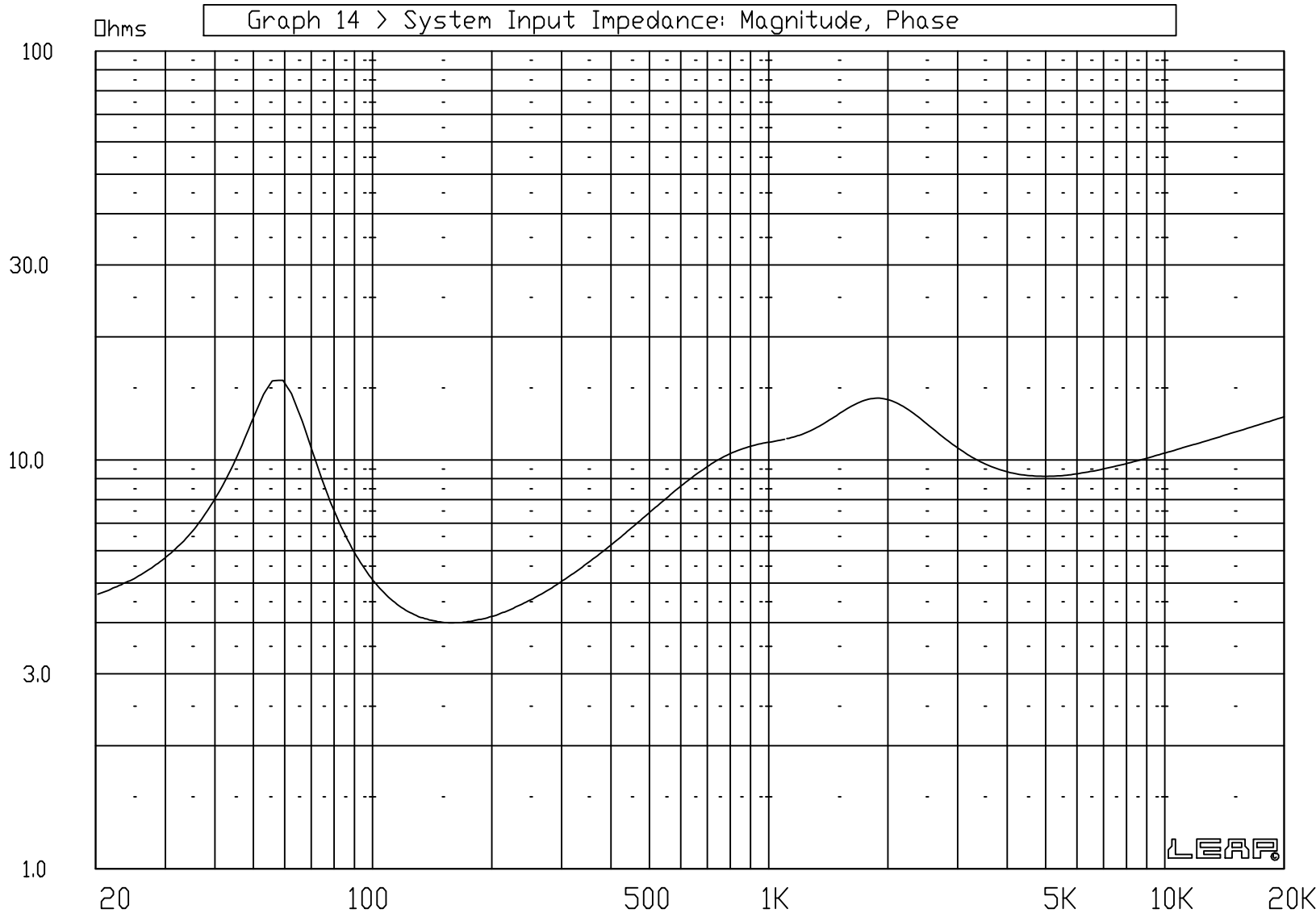
W + / T -

Graph 11 > System Acoustic On Axis Response:SPL,Phase

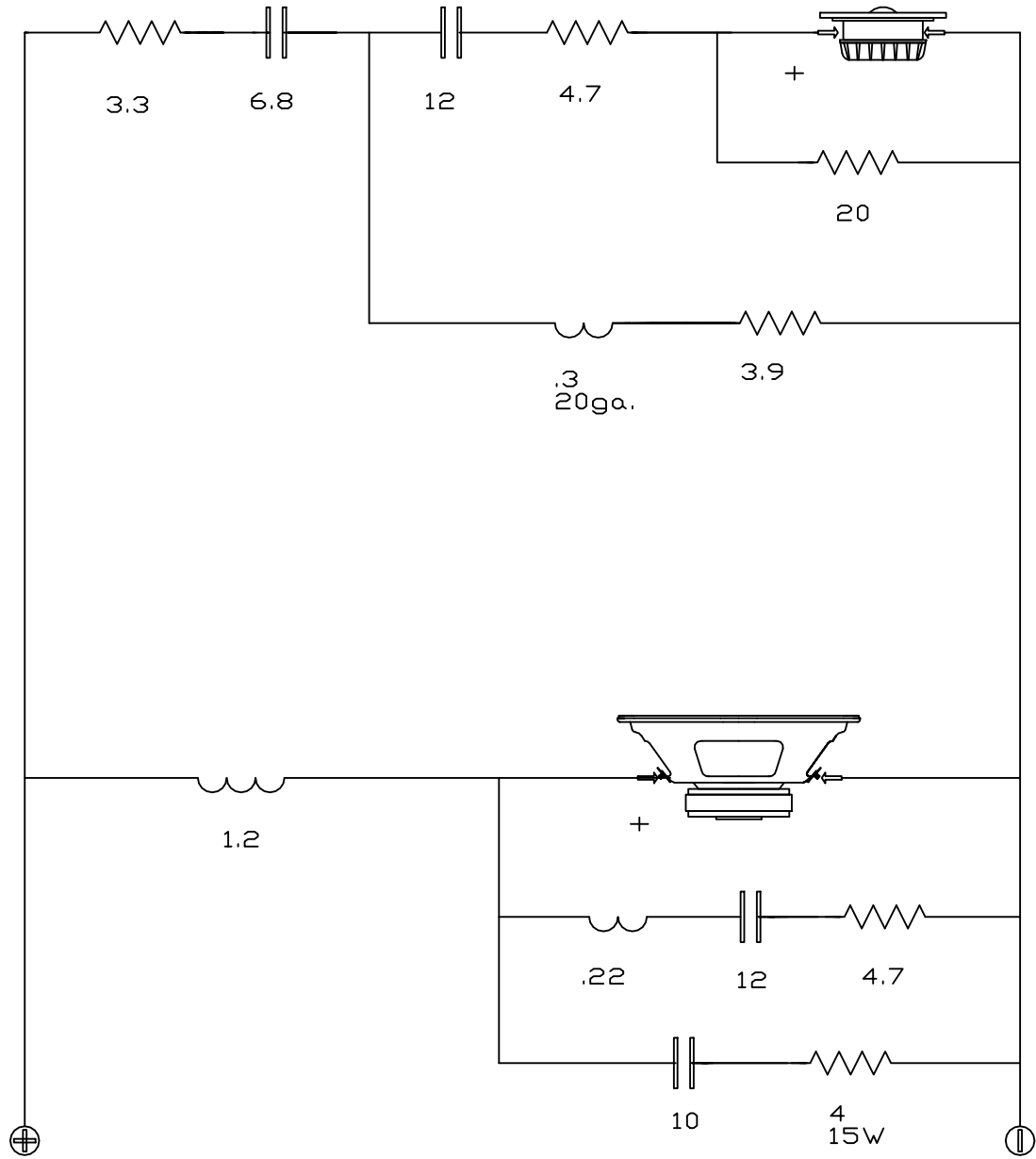


— DGL Entry:16, Name:18W/8535 TZD SPLD

— DGL Entry: 5, Name:D2010/8513 VZD SPLD

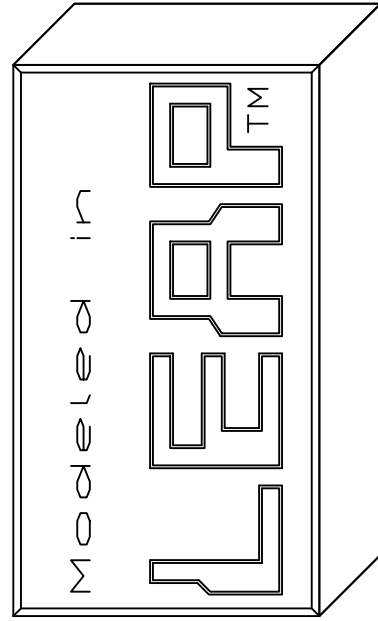
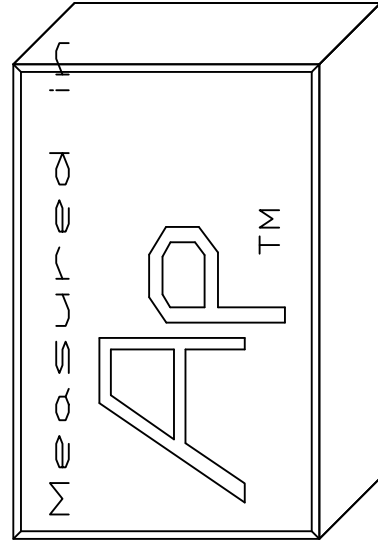


CUSTOMER:



18W/8535
.75FT3
SEALED

D2010/8513



TOM ROBERTS

11/9/16

NOTES: x