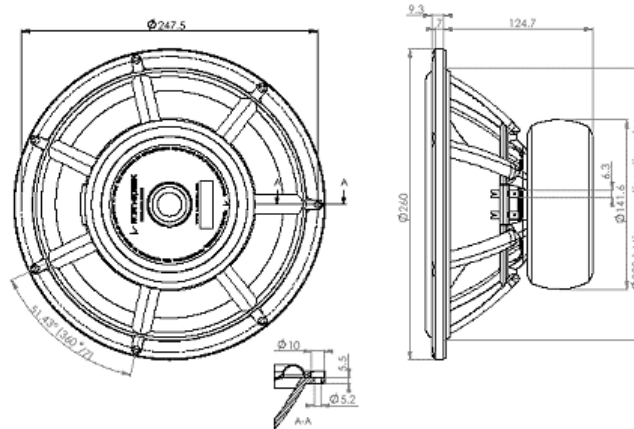
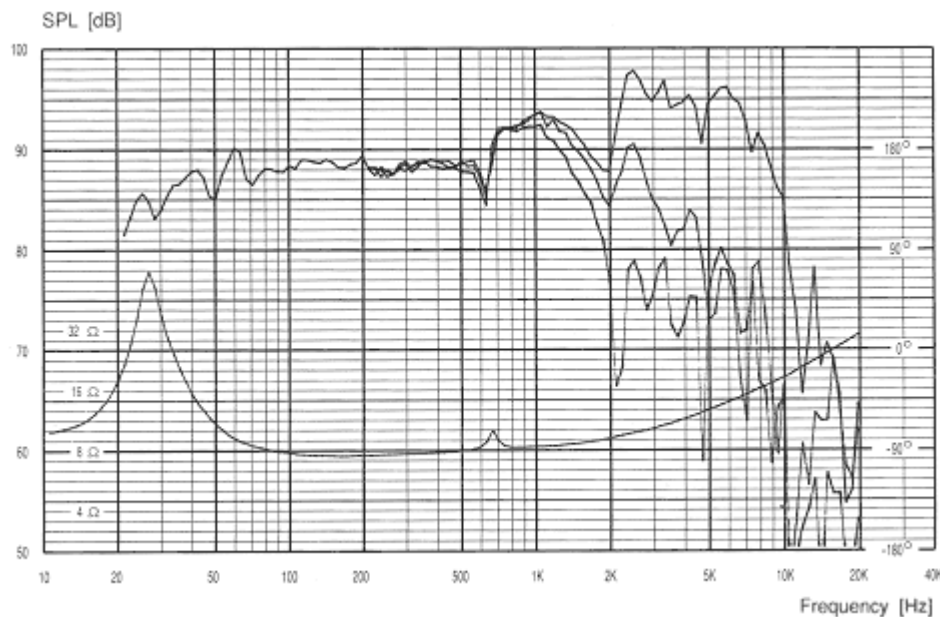




26W/8861T00



Characteristic sensitivity (2.83V / 1m)	: 88.5 dB
Recommended frequency range	: 19 - 600 Hz
Free air resonance frequency, f_s	: 19 Hz
DC resistance, R_e	: 6.2 ohm
Voice coil inductance, L_e	: 0.35 mH
Effective piston area, S_d	: 320 cm ²
Moving mass incl. air, m_d	: 43.5 g
Mechanical loss, R_m	: 1.0 Ns/m
Force factor, BL	: 9.9 Tm
Equivalent volume, V_{as}	: 234 ltr.
Mechanical Q-factor, Q_{ms}	: 5.2
Electrical Q-factor, Q_{es}	: 0.33
Total Q-factor, Q_{ts}	: 0.31
Excursion, lin./max.	: $\pm 9 / \pm 14$ mm
Voice coil diameter	: 50 mm
Rated power handling	: 170 W
Net weight	: 3.7 kg



Frequency response: 2.83V / 1m