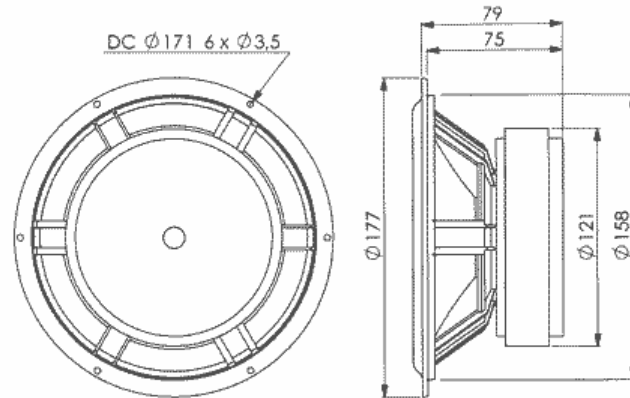
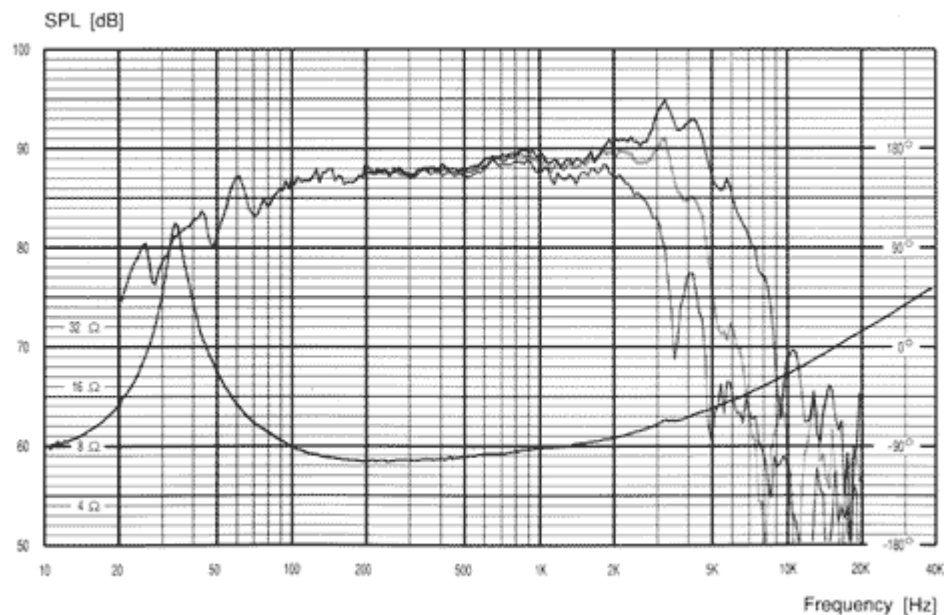




18W/8545K00



| | |
|-----------------------------------------|-------------------------|
| Characteristic sensitivity (2.83V / 1m) | : 87.5 dB |
| Recommended frequency range | : 28 - 3000 Hz |
| Free air resonance frequency, f_s | : 28 Hz |
| DC resistance, R_e | : 5.5 ohm |
| Voice coil inductance, L_e | : 0.4 mH |
| Effective piston area, S_d | : 145 cm ² |
| Moving mass incl. air, m_d | : 20.5 g |
| Mechanical loss, R_m | : 0.7 Ns/m |
| Force factor, BL | : 8.2 Tm |
| Equivalent volume, V_{as} | : 48 ltr. |
| Mechanical Q-factor, Q_{ms} | : 5.2 |
| Electrical Q-factor, Q_{es} | : 0.30 |
| Total Q-factor, Q_{ts} | : 0.28 |
| Excursion, lin./max. | : $\pm 6.5 / \pm 10$ mm |
| Voice coil diameter | : 42 mm |
| Rated power handling | : 100 W |
| Net weight | : 2.4 kg |



Frequency response: 2.83V / 1m