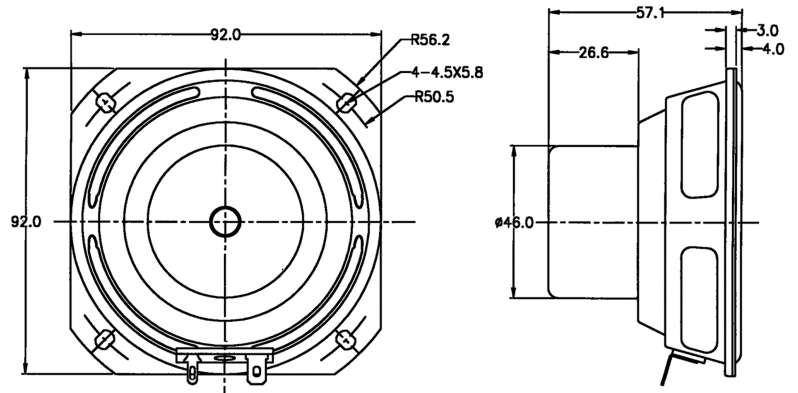


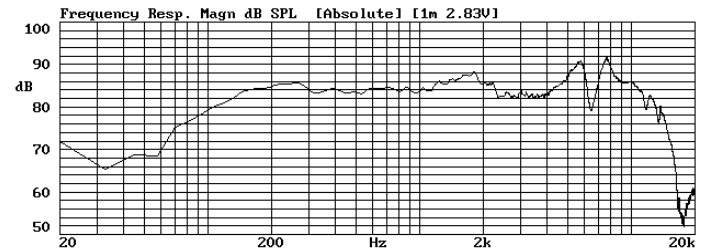
3.5" Loudspeaker

- **High Excursion**
- **Wide Bandwidth**
- **Low Distortion**

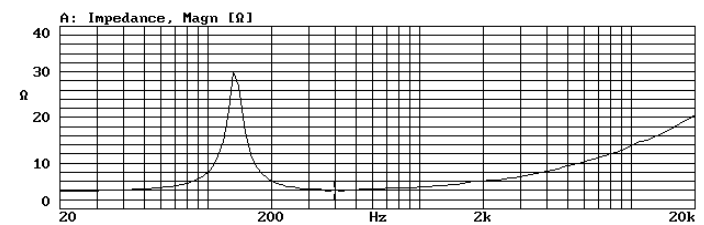


Nominal Diameter (Ø)	3.5 inches (92 mm)
Nominal Impedance (Z)	4 Ohms
Sensitivity, 1W/1m (E)	85 dB
Power Capacity, RMS (Pe)	20 W
Power Capacity, Peak	50 W
Frequency Range (-10dB)	Fo - 10 kHz
Minimum Impedance	4 Ohms
Voice Coil Diameter (Ø)	25.5 mm
Voice Coil Winding Length (h)	9.6 mm
Voice Coil Number of Layers (n)	2
Voice Coil Former Material	Kapton
Voice Coil Wire Composition	CCAW
Motor Reference	N255-C08-127B
Magnetic Material	Neodymium radial
Stray Flux Shielding	Inherent
Magnetic Gap Depth (He)	12.7 mm
Cone Material	PP
Surround Material	Rubber
Polarity, Outward Motion	Positive voltage on (+) tab
Net Weight	0.358 kg

Frequency Response (1W,1m)



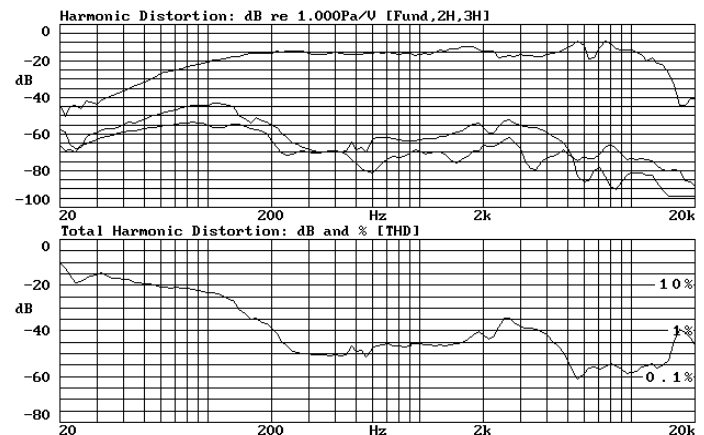
Impedance



Thiele / Small Parameters

Resonant Frequency (Fo) - Fs	130 Hertz
Voice Coil DC Resistance - Re	3.6 Ohms
Total Q - Qts	0.75
Mechanical Q - Qms	6.4
Electrical Q - Qes	0.85
Equivalent Volume of Air - Vas	0.77 L
Radiating Piston Area - Sd	44.18 cm ²

Distortion (1W,1m)



Electrical / Mechanical Parameters

Flux Density x Length - BL	4.2 Tesla-meters
Compliance - Cms	280 μm/N
Total Mass - Mms	5.3 grams