

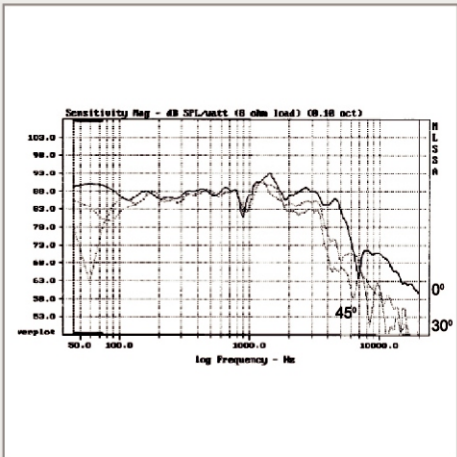
MW 265 -8" BASS MIDRANGE

DCP Cone Double Magnet Vented Motor



FEATURES:

- Large Hexatech aluminum voice coil
- Double magnet system
- High power handling
- Shallow profile DCP cone



Specifications

Overall Dimensions		222mm(8.7")x69mm(2.7")
Nominal Power Handling (D.N)	P	150 W
Transient power 10ms		1000 W
Nominal Impedance	Z	8 Ohms
Sensitivity 1W/1M		89 dB
Frequency Response		30 - 3600 Hz
Resonant Frequency	FS	30 Hz

Voice coil

Voice Coil Diameter	DIA	75mm (3")
Voice Coil Height		12mm (0.47")
Voice Coil Former		Aluminum
Voice Coil Wire		Hexatech Aluminum
Number of Layers		2
DC Resistance	RE	5.20 Ohms
Voice Coil Inductance @ 1KHz	LBM	0.58 mH

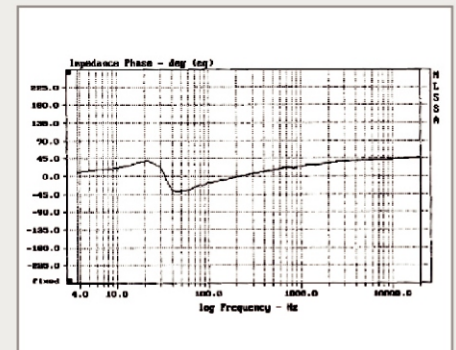
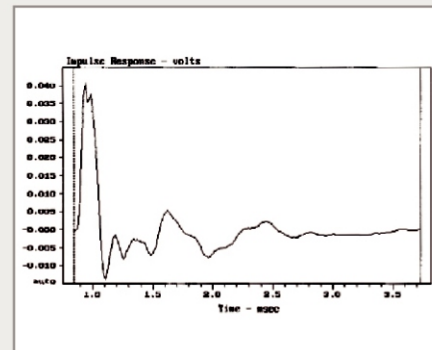
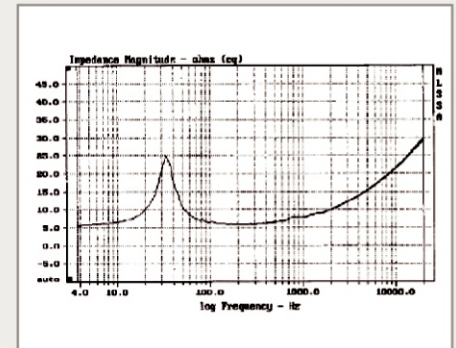
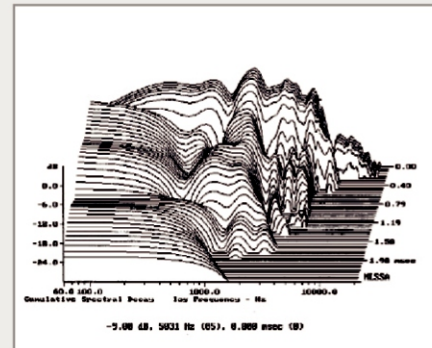
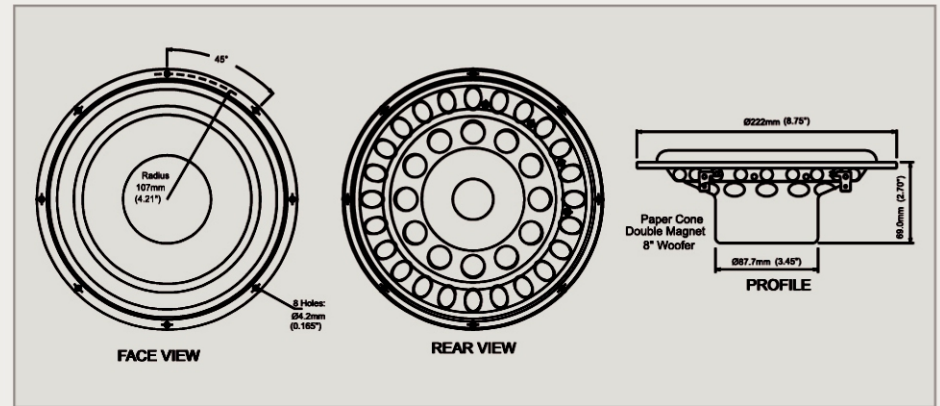
Magnet System

Magnet System Type		Double Ferrite Vented
HE - Magnetic Gap Height	HE	5mm (0.20")
B Flux Density	B	0.72 T
BL Product	BXL	6.30 N.A
Max. Linear Excursion	X	+/-3.5mm (0.137")

Operational Parameters

Suspension Compliance	CMS	915 uM / N
Mechanical Q Factor	QMS	2.79
Electrical Q Factor	QES	0.79
Total Q Factor	Q/T	0.61
Mechanical Resistance	RMS	2.006 Kg.
Moving Mass	MMS	25.5 gm
Eq. Cas Air Load (liters)	VAS	61.00 L
Cone / Dome Material		DPC
Effective Piston Area	SD	219 cm ²
Net Weight	Kg.	1.35 Kg.

MW 265



morel HIGH FIDELITY



www.morelhifi.com