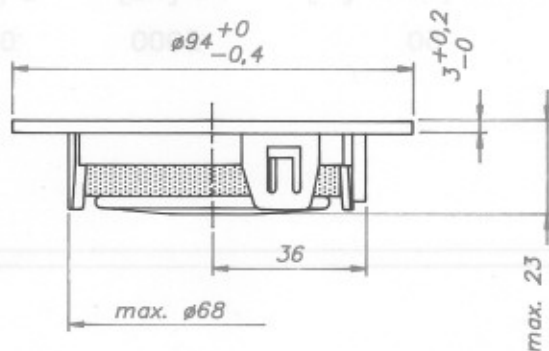


3/4" DOME TWEETER

D19TD-00-08

SPECIAL FEATURES:

- HIGH LOSS DIAPHRAGM
- GOOD DISPERSION



| | |
|---------------------------|---------------------|
| NOMINAL IMPEDANCE | 8 Ω |
| NOMINAL POWER (IEC 268-5) | 50 W |
| FREQUENCY RANGE | 4-20 kHz |
| SENSITIVITY (1W, 1m) | 90 dB |
| EFFECTIVE DIAPHRAGM AREA | 4,2 cm ² |
| VOICE COIL RESISTANCE | 6,2 Ω |
| OPERATING POWER | 4,0 W |
| VOICE COIL DIAMETER | 19 mm |
| VOICE COIL HEIGHT | 1,4 mm |
| AIR GAP HEIGHT | 2 mm |
| FREE AIR RESONANCE | 1400 Hz |
| MOVING MASS (incl. air) | 0,2 g |
| FORCE FACTOR, B x l | 2,6 Txm |
| MAGNET WEIGHT (3,7 oz) | 105 g |

