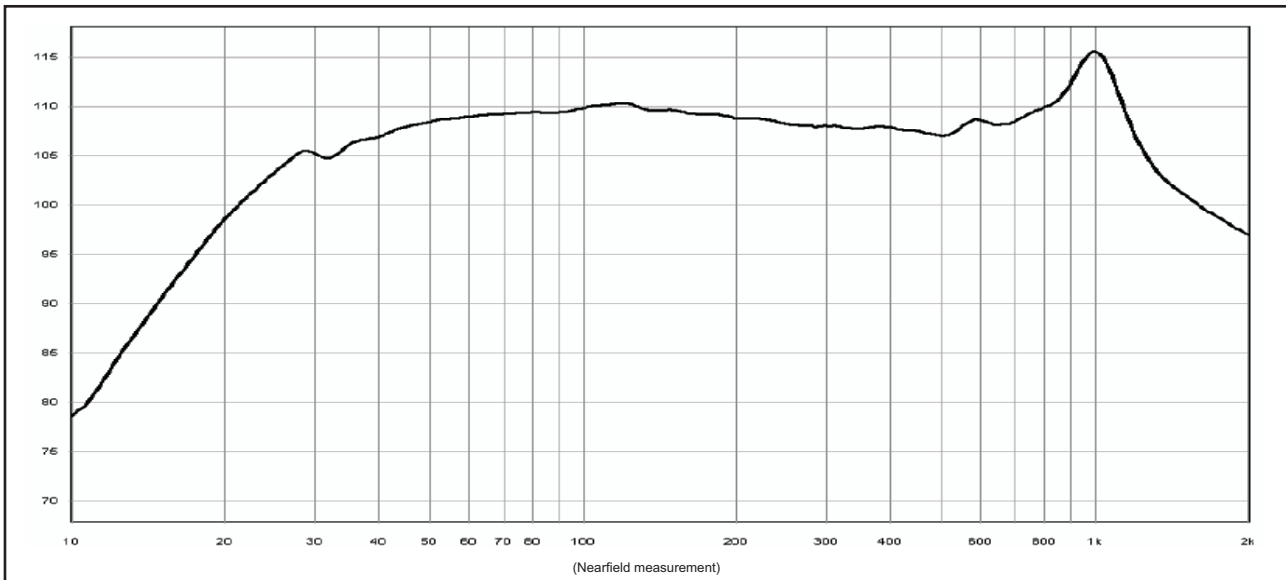
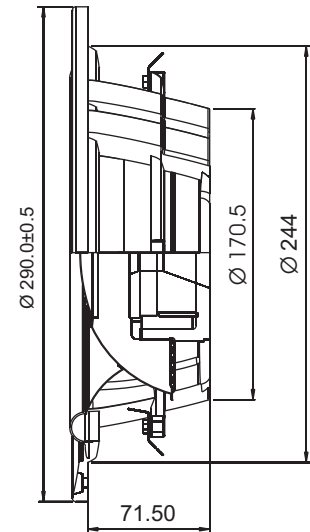
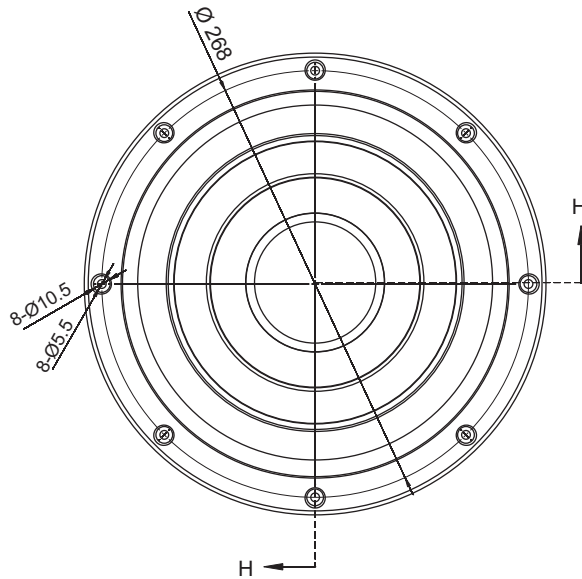


ACOUSTICS

SW26DAC76-4

Preliminary Data



Specs :

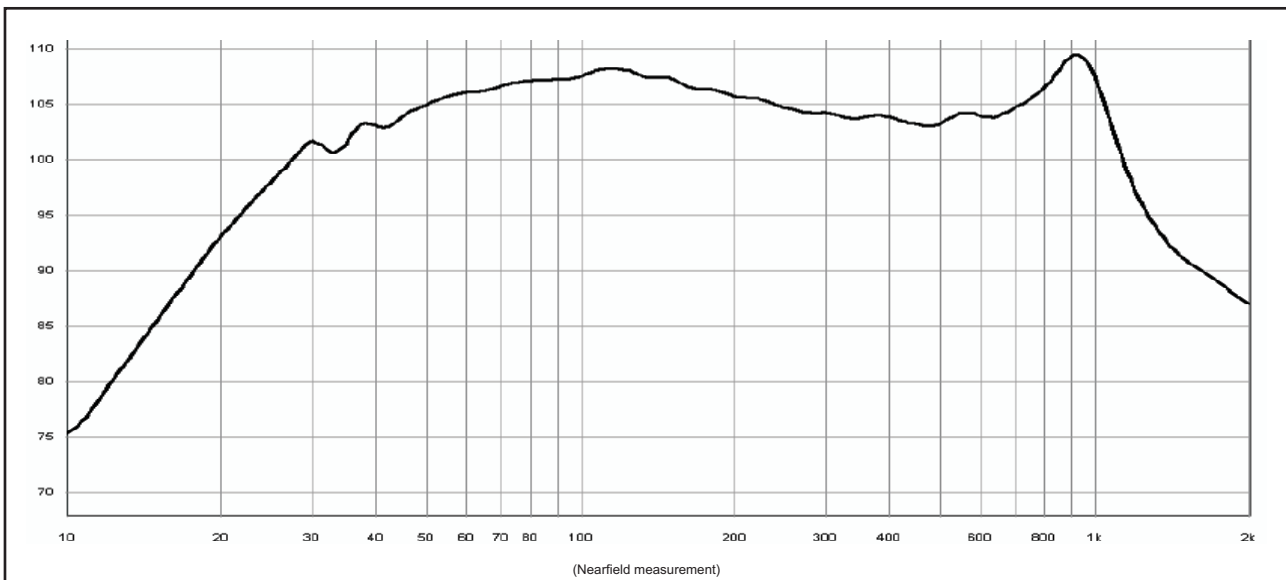
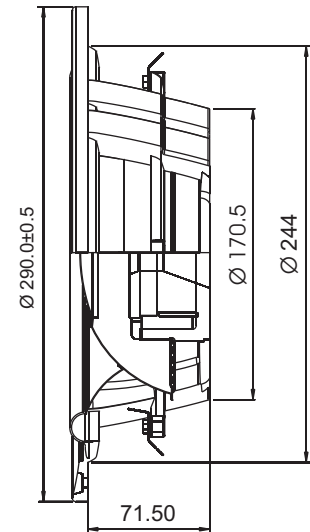
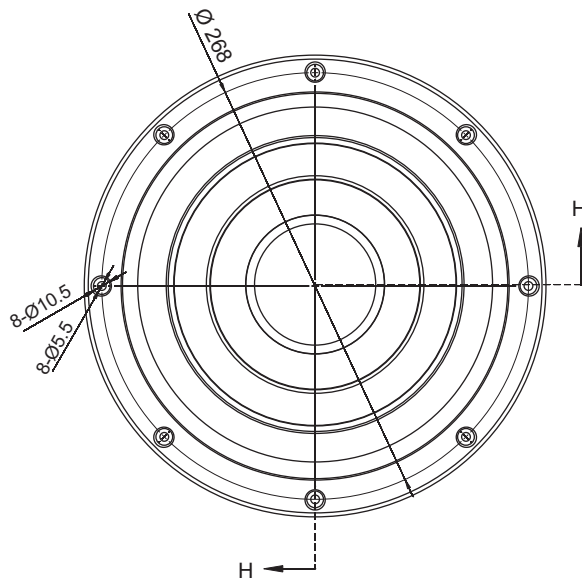
Nominal Impedance	4 Ω	Free air resonance, F_s	24 Hz
DC resistance, R_e	3.2 Ω	Sensitivity (2.83 V/1m)	86 dB
Effective piston area, S_d	312 cm ²	Mechanical Q-factor, Q_{ms}	9.47
Voice coil diameter	75.5 mm	Electrical Q-factor, Q_{es}	0.56
Voice coil height	30 mm	Total Q-factor, Q_{ts}	0.52
Air gap height	6 mm	M_{ms}	133.08 g
Linear coil travel (p-p)	24 mm	Force factor, Bl	10.63 Tm
Magnetic flux density	1.0 T	Equivalent volume, V_{as}	44.19 liters
Magnet weight	281 g	Compliance, C_{ms}	0.33 mm/N
Net weight	3.43 kg	Mechanical loss, R_m	2.31 kg/s
		Rated power handling	200 watt

The parameter are measured on drive units that are broken in

ACOUSTICS

SW26DAC76-8

Preliminary Data



Specs :

Nominal Impedance	8 Ω	Free air resonance, F _s	20 Hz
DC resistance, R _e	6.4Ω	Sensitivity (2.83 V/1m)	84 dB
Effective piston area, S _d	312 cm ²	Mechanical Q-factor, Q _{ms}	9.47
Voice coil diameter	75.5 mm	Electrical Q-factor, Q _{es}	0.28
Voice coil height	30 mm	Total Q-factor, Q _{ts}	0.27
Air gap height	6 mm	M _{ms}	178 g
Linear coil travel (p-p)	24 mm	Force factor, Bl	22.24 Tm
Magnetic flux density	1.0 T	Equivalent volume, V _{as}	45.84 liters
Magnet weight	281 g	Compliance, C _{ms}	0.34 mm/N
Net weight	3.43 kg	Mechanical loss, R _m	3.02 kg/s
		Rated power handling	250 watt

The parameter are measured on drive units that are broken in