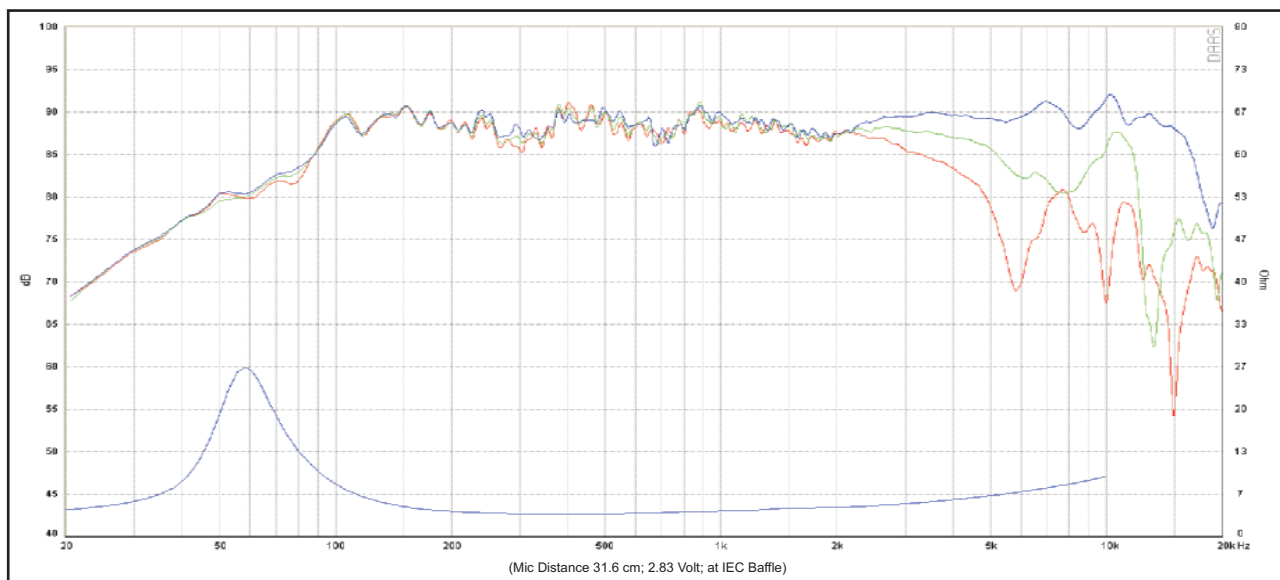
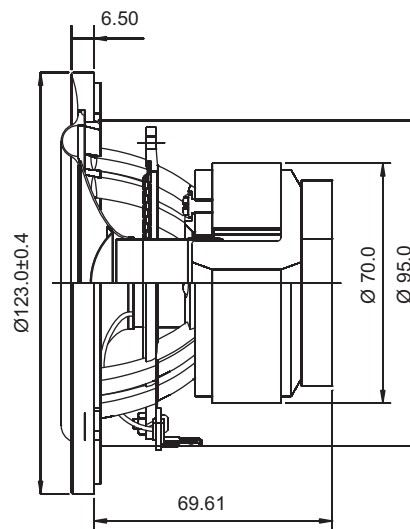
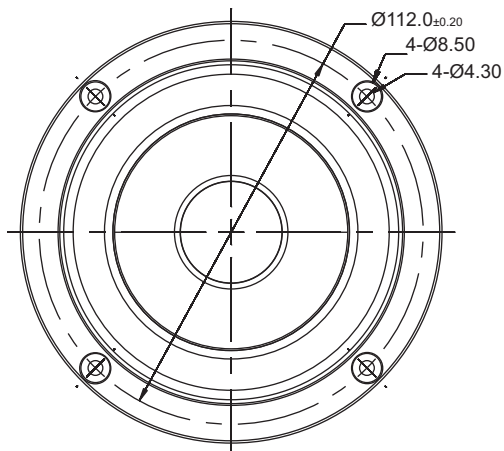


ACOUSTICS

4" SB12MNRX25-4

Preliminary data



Response Curve :

— (Blue) : on axis — (Green) : 30 off-axis — (Red) : 60 off-axis

Specs :

Nominal Impedance	4 Ω	Free air resonance, Fs	58 Hz
DC resistance, Re	3.2 Ω	Sensitivity (2.83 V/1m)	88.5 dB
Voice coil inductance, Le	0.14 mH	Mechanical Q-factor, Qms	3.4
Effective piston area, Sd	50.3 cm ²	Electrical Q-factor, Qes	0.40
Voice coil diameter	25.4 mm	Total Q-factor, Qts	0.36
Voice coil height	9.5 mm	Moving mass incl.air, md	4.9 g
Air gap height	5 mm	Force factor, Bl	3.7 Tm
Linear coil travel (p-p)	4.5 mm	Equivalent volume, Vas	5.5 liters
Magnetic flux density	0.9 T	Compliance, Cms	1.55 mm/N
Magnet weight	0.4 kg	Mechanical loss, Rm	0.5 kg/s
Net weight	0.85 kg	Rated power handling	30 watt

The parameter are measured on drive units that are broken in