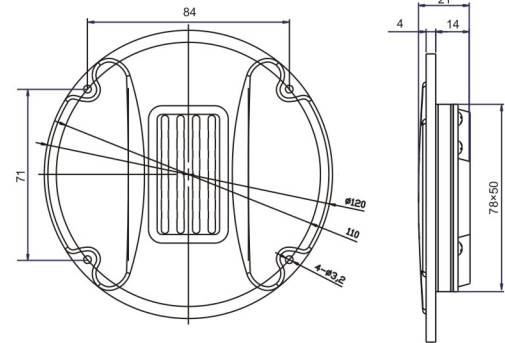


RT1.3WE

Ribbon Tweeter

Key Features

- Low mass kapton / copper driving membrane
- Machined aluminum faceplate
- Ultra high frequency response
- Economy isodynamic ribbon



RT1.3WE

General Data

Overall Dimensions(D×H):	See Graph
Nominal Power Handling(P _{nom})(W):	10
Max Power Handling(P _{max})(W):	30
Sensitivity(2.83v/1m)(dB):	92
Weight(M)(Kg):	0.2

Electrical Data

Nominal Impedance (Z)(Ω):	6
DC(Re)(Ω):	5.4

Voice Coil and Magnet Parameters

VC Diameter(mm):	N/A
VC Length(H)(mm):	N/A
VC Former:	N/A
VC Frame:	N/A
Magnet System:	N/A
Magnet Former:	Neodymium
Force Factor(BL)(N/A):	N/A
Gap Height(H _e)(mm):	N/A
Linear Excursion(X _{max})(mm):	N/A

T-S Parameters

Suspension Compliance(C _{ms})(uM/N):	N/A
Mechanical Q(Q _{ms}):	N/A
Electrical Q(Q _{es}):	N/A
Total Q(Q _{ts}):	N/A
Moving Mass(M _{ms})(g):	N/A
Effective Piston Area (SD)(m ²):	N/A
Equivalent Air volume(V _{as})(L):	N/A
Resonance Frequency(F _s)(Hz):	N/A

