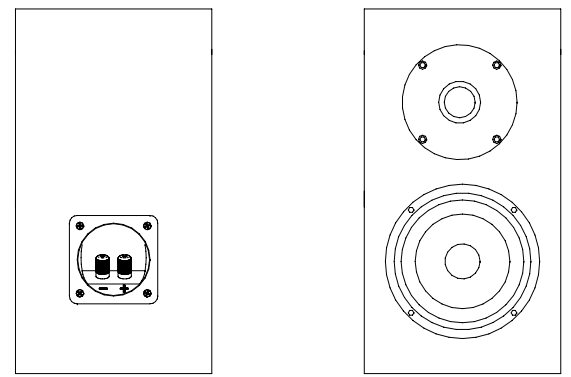
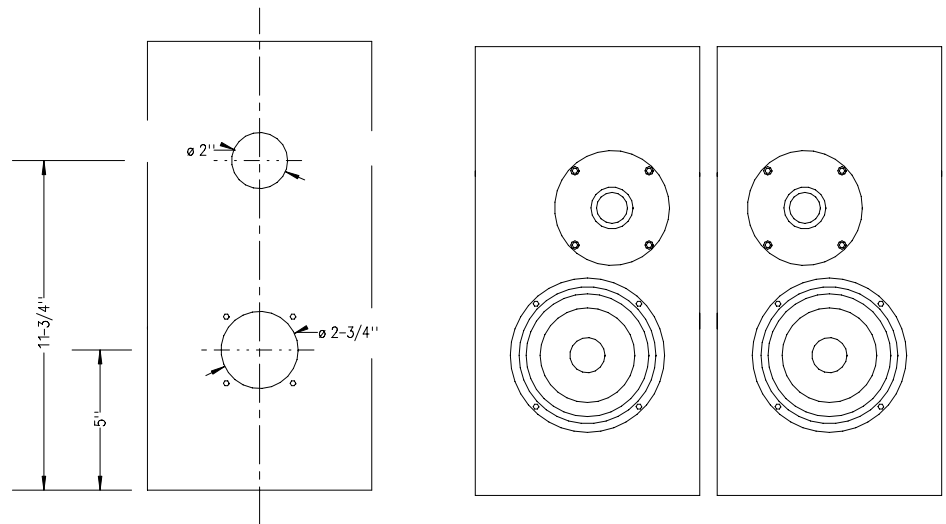


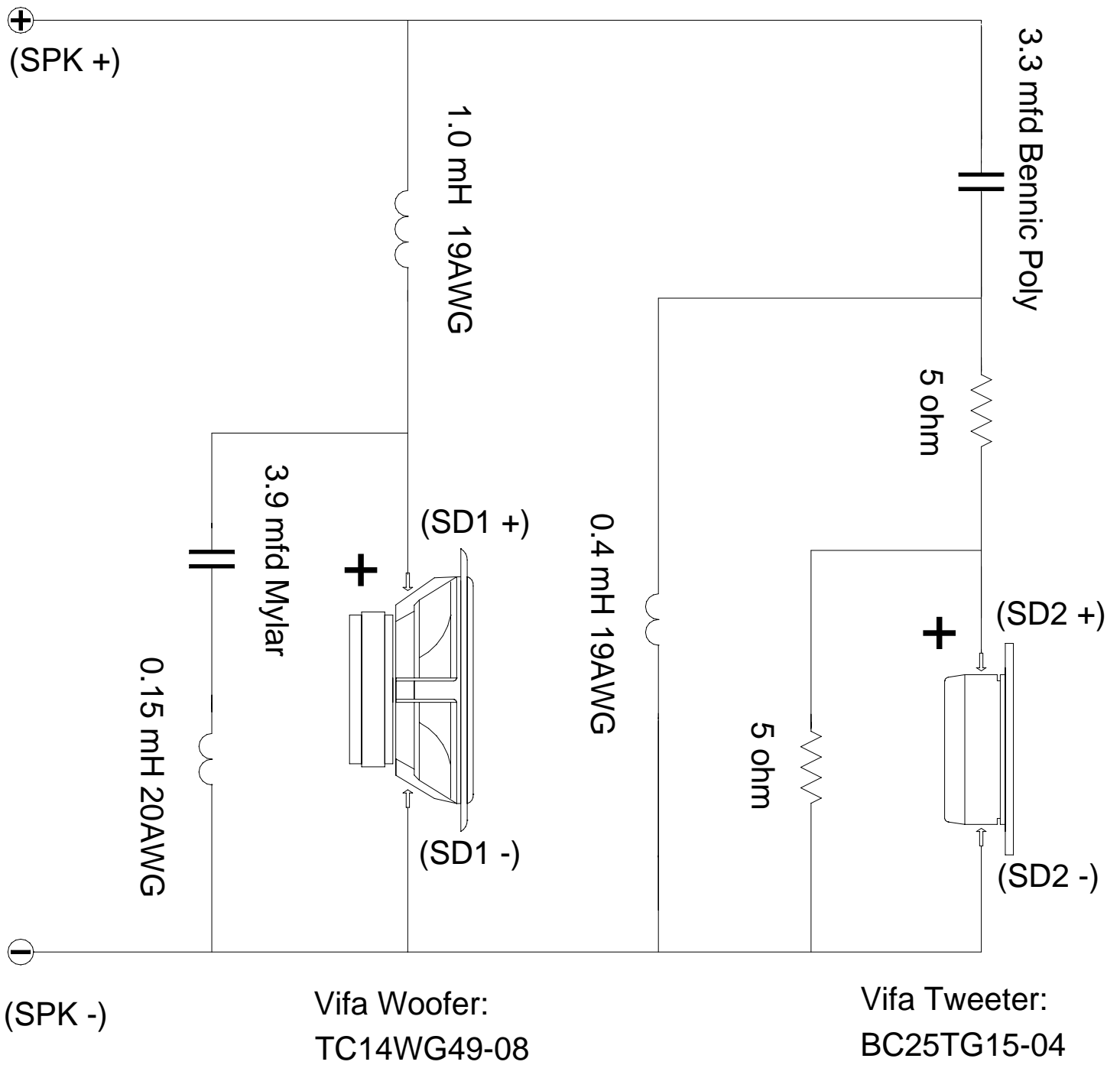
*SEALED*



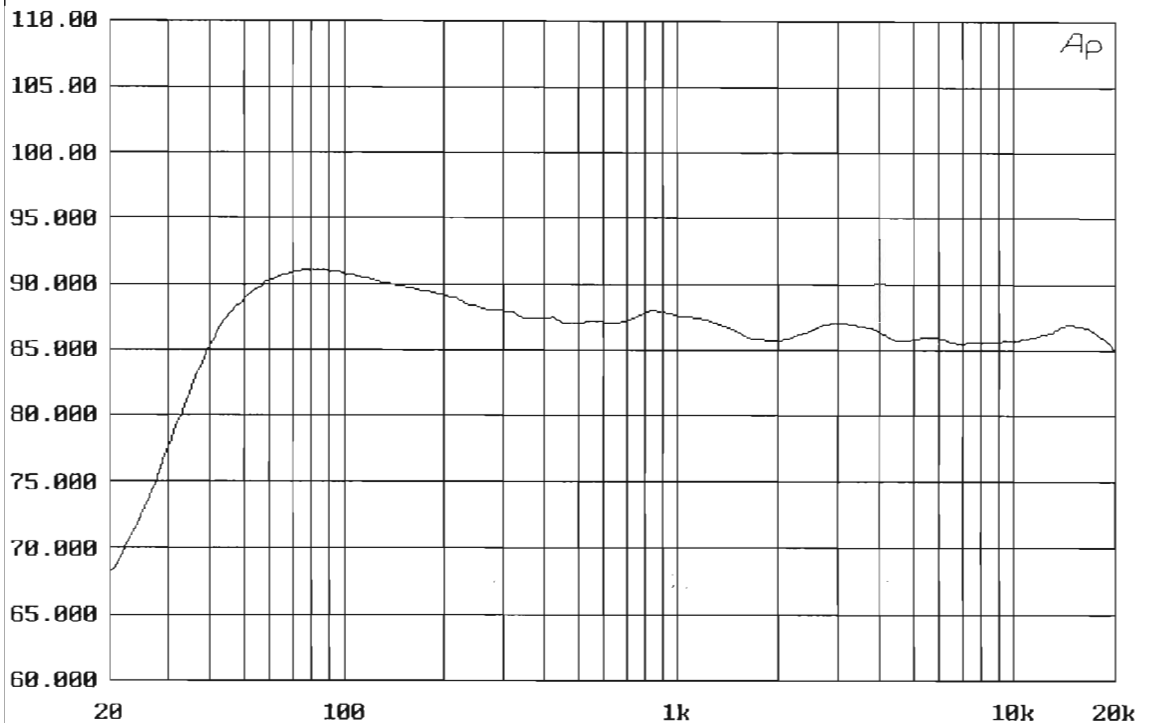
*VENTED*

TC 14WG-49-08	UNLESS OTHERWISE SPECIFIED, DIMENSIONS ARE IN INCHES. TOLERANCES ARE: FRACTIONS DECIMALS ANGLES ±1/64 .XX ±.010 ±30' XXX ±.005	APPROVALS	DATE	MADISOUND SPEAKERS	
BC25TG 15-04		DRAWN <b>T ROBERTS</b>	1/09	<b>RB-KIT</b>	
2" dia To 6" long PORT	CHECKED		SIZE B		
RB XOVER			SCALE 1:1	SHEET 1 OF 1	
DB-CUP / CB-CUP	DO NOT SCALE DRAWING				

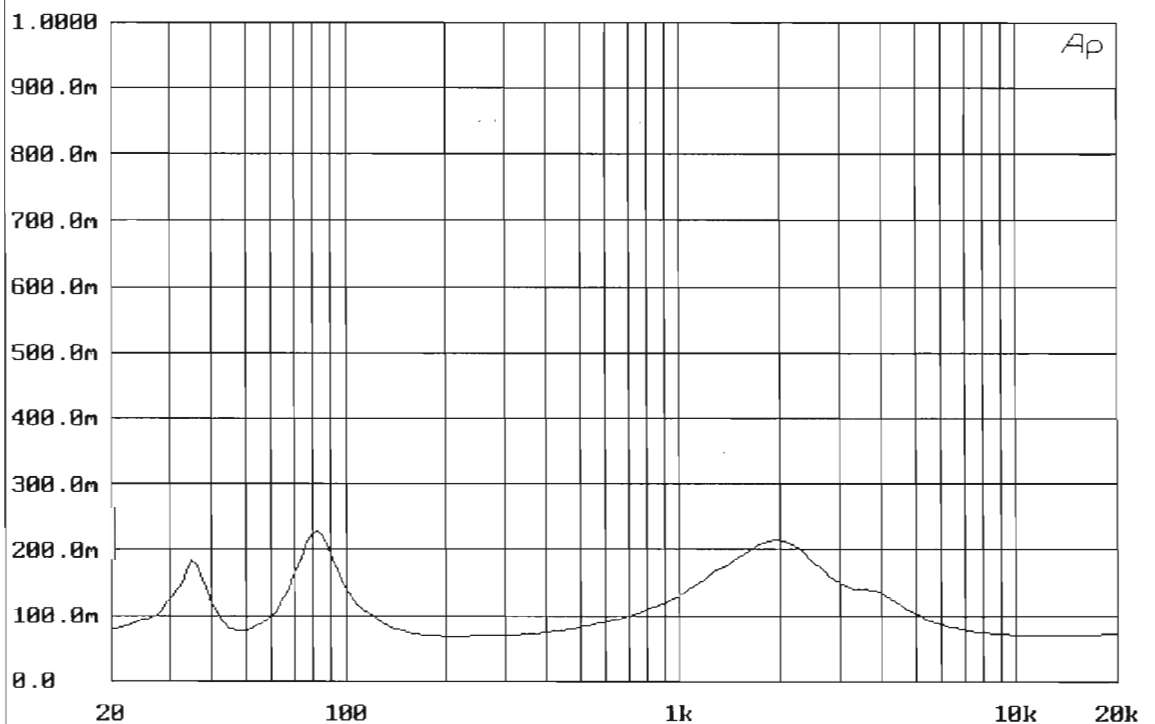
# RB2 Kit Schematic



Plus on woofer and tweeter are marked with a Red Dot on the terminals.



System One residual noise spectrum at full bandwidth



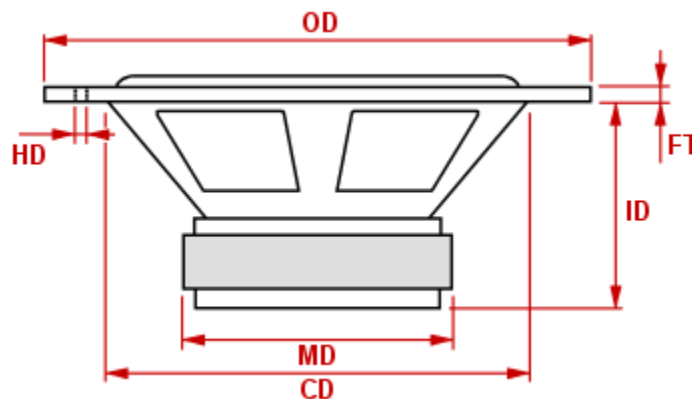
FREQRESP.TST measures amplitude vs frequency.  
 (see 1.60 manual section 28.2.1)



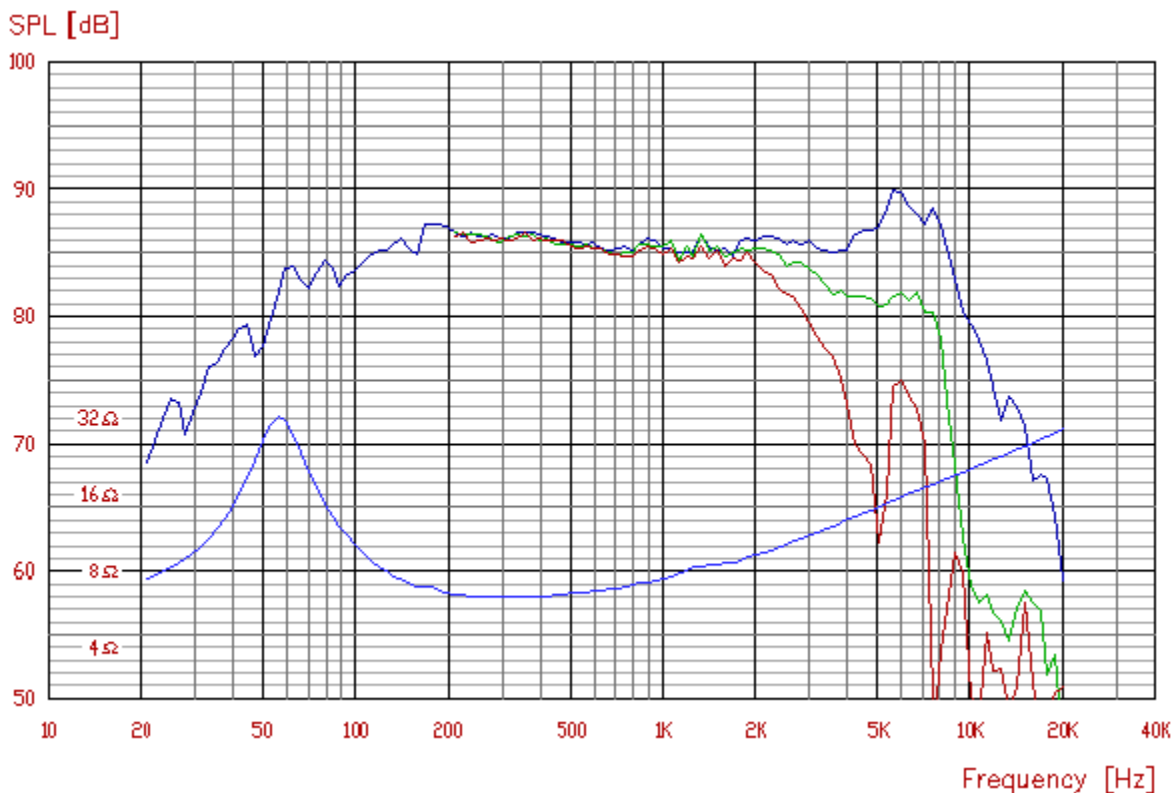
# vifa

## TC14WG49-08

Nominal impedance [ohm]	8
Voice coil resistance [ohm]	5.55
Nominal power [W]	35
Short term max power [W]	110
Long term max power [W]	110
Operating power [W]	10
Sensitivity [dB]	86
Frequency range [Hz]	55-4000
Free air resonance [Hz]	53
Voice coil diameter [mm]	25
Voice coil height [mm]	10
Air gap height [mm]	4
Voice coil inductance [mH]	0.60
Eff. diaphragm Area [cm <sup>2</sup> ]	80
Moving mass [g]	7.8
Magnet weight [g]/[oz]	240/8.5
Force factor [Bl]	5.2
VAS [l]	10.5
Qms	2.73
Qes	0.53
Qts	0.45



OD: 149 mm	CD: 116 mm
FT: 4.6 mm	ID: 57 mm
MD: 73.5 mm	HD: -



Frequency response: 2.83V / 1m

**BC/OC  
1" Tweeter**



**Type Number:** BC25TG15-04

**Features:**

The BC/OC product line is known for its quality tweeters and midwoofers. Designed in Denmark by our experienced team of audio engineers, Peerless BC/OC products can meet the most demanding needs for both volume and audio excellence. The BC/OC product line has ferrofluid in the magnet gap for improved cooling of the driver.

Driver Highlights: Textile tweeter, ferrite magnet



**Specs:**

**Electrical Data**

Nominal impedance	Zn	4	ohm
Minimum impedance	Zmin	6.3	ohm
Maximum impedance	Zo	9.7	ohm
DC resistance	Re	3.1	ohm
Voice coil inductance	Le	--	mH

**T-S Parameters**

Resonance Frequency	fs	1130	Hz
Mechanical Q factor	Qms	1.59	
Electrical Q factor	Qes	1.06	
Total Q factor	Qts	0.64	
Force factor	Bl	2.1	Tm
Mechanical resistance	Rms	--	Kg/s
Moving mass	Mms	0.4	g
Suspension compliance	Cms	0.27	mm/N
Effective cone diameter	D	--	cm
Effective piston area	Sd	6.8	cm <sup>2</sup>
Equivalent volume	Vas	--	ltrs
Sensitivity (2.83V/1m)		94	dB

**Power handling**

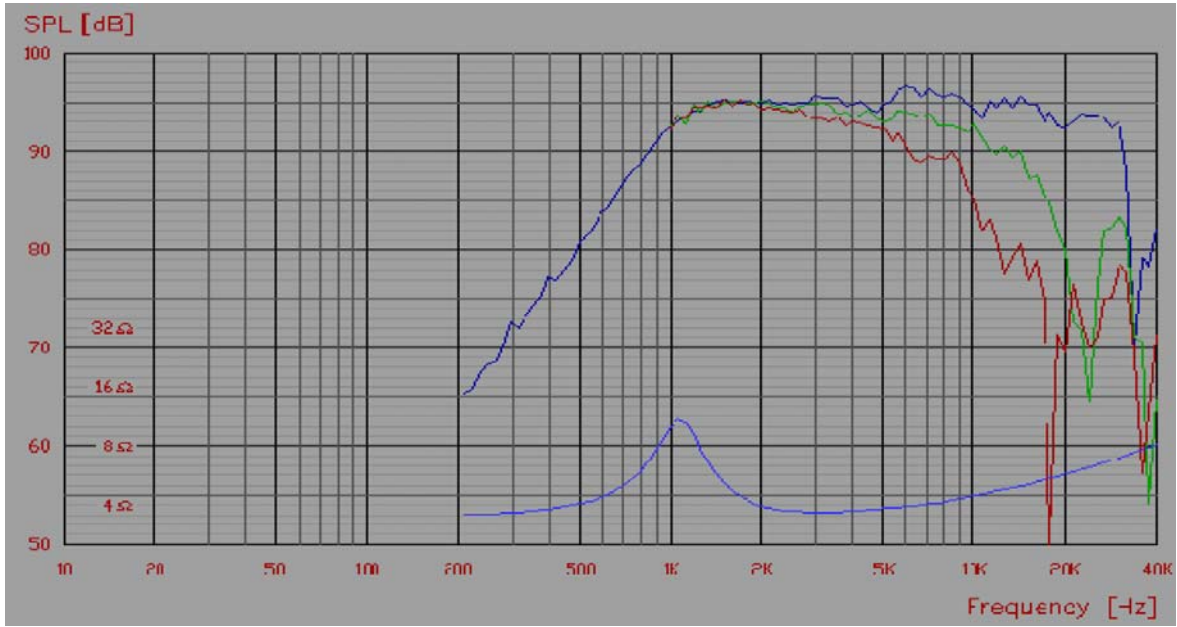
100h RMS noise test (IEC)	50	W
Long-term Max Power (IEC 18.3)	100	W
Short Term Max power (IEC 18.2)	--	W

**Voice Coil and Magnet Parameters**

Voice coil diameter	25	mm
Voice coil height	2	mm
Voice coil layers	2	
Height of the gap	3	mm
Flux density of gap	--	mWb
Total useful flux	--	mWb
Diameter of magnet	70	mm
Height of magnet	15	mm
Weight of magnet	--	Kg

Notes:  
IEC specs refer to IEC 60268-5 third edition.  
All Tymphany products are RoHS compliant.

## Frequency:



## Mechanical Dimensions:

