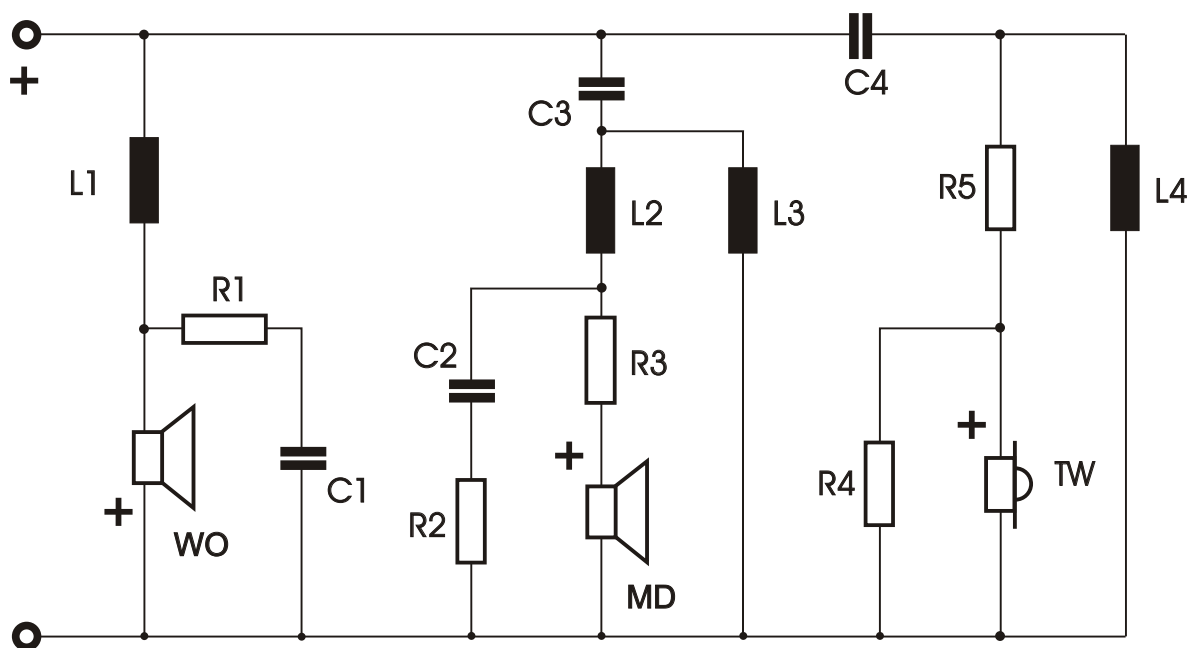


ETON Deutschland Electro Acoustic-GMBH Pfaffenweg 21, D-89231 Neu-Ulm Germany			Scale: 1:6		
			Material: MDF 22 mm		
		Date	Name	ETON 8.2	
		24.11.03	Va.		
				Art. No.	Cabinet



L1 = 4,7 mH / Copper Wire CUL \varnothing 1,4 mm / air
 L2 = 0,68 mH / Copper Wire CUL \varnothing 1,0 mm / air
 L3 = 5,6 mH / Copper Wire CUL \varnothing 1,0 mm / air
 L4 = 0,33 mH / Copper Wire CUL \varnothing 0,7 mm air

C1 = 150 MF / bipolar-capacitor / 50 Vac
 C2 = 6,8 MF / bipolar-Capacitor / 50 Vac
 C3 = 68 MF / bipolar-capacitor / 50 Vac
 C4 = 4,7 MF / foil-capacitor (MKP)

R1 = 1,5 Ohm / 4 W
 R2 = 5,6 Ohm / 4 W
 R3 = 0,75 Ohm / 10 W
 R4 = 15 Ohm / 4 W
 R5 = 2,7 Ohm / 4 W - metaloxid

WO = ETON 8-800/37 HEX / 8 Ohm
 MD = ETON 5-880/25 HEX / 8 Ohm
 TW = ETON 19 SD 1 / 8 Ohm

BR = BR/HP70 95 mm lang

ETON Deutschland Electro Acoustic-GMBH Pfaffenweg 21, D-89231 Neu-Ulm Germany				Scale:	
				Material:	
				Date	Name
				24.11.03	Va
				ETON 8.2	
				Art. No.	Crossover