

CHR-70 (Gen. 3)

Extended Full-Range emitter
Champagne colour cone model



CHR-70 Gen. 3 Extended Full Range audio driver.

The CHR-70 (Gen. 3) is now up-dated 3 times since the first model was launched nearly 3 years back. This Gen. 3 driver has more high range performance. The frequency range now goes higher to 25-kHz. Bass response in the properly designed box can go low to just under 40Hz. It has a light easy sound, a little warm, not so shape so it will suit the listening tastes of many people. Its cone gives much musical detail and makes a very clear sound.

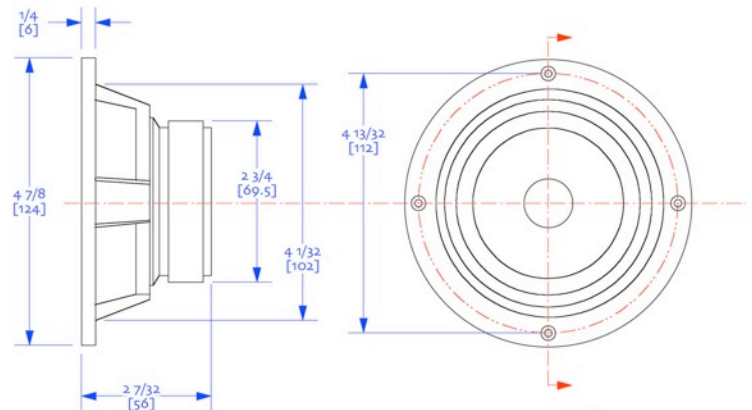
The driver has a medium efficiency of 85.5dB at 8 Ohms making it easy to use on nearly all small to medium power amplifiers. The driver can easily fit into Bass-Reflex and Vented box sizes from 4.4 litres to 10 litres internal volume.

Many technical improvements has been done.

- 1 - Improved stiffer frame.
- 2 - New cap design with new improved fitting method.
- 3 - New Japanese deigned coil.
- 4 - New spider for improved bass.
- 5 - 2 colour choice (champagne gold and and brush look metal cones)

The new CHR-70 Gen. 3 is an excellent high-end and multi-purpose driver. Its also suitable for many computer, Home Theatre, TV, and commercial A/V applications.

CHR-70 Gen.3	Data
REVC	7.2 Ohm
Fo	65.40 Hz
Sd	5.02 K mm ²
Vas	5.17 Ltrs
Cms	1.44 uM/N
Mmd	3.90 g
Mms	4.10 g
BL	4.20 G/cm
Qms	2.66
Qes	0.69
Qts	0.55
Levc	32.44 uH
No	0.20%
Spl	85.4 dB
Pwr	20w Nom.
X max	4-mm 1 way
Coil Dia	20-mm
Main tolerance	+/- 2.5 hz on mean Fo



Note that these come with a 2mm gasket, which doesn't compress very much, so it needs to be accounted for when cutting the rebates.

