

Type Number: 820013

Features:

Content / Key Features:

- 2 x 165mm Midwoofers, "EURO-DIN"
- Aluminium Die Cast Basket
- Neodymium Magnet System With Vented Pole Piece
- Black Coated NRSC* Fibre Glass Cone
- Low Loss Suspension, with Rubber Surround
- 2 x 19mm Ring Dome Tweeters
- Wedge House for dashboard mounting
- Flange and Nut for doorpanel mounting
- 2 x Cross-Over (2nd Ordre - 12dB/Oct.)
- Grills, Cables and screws incl.



* Non-Resonant-Suspension-Coupling a Scan-Speak Patented Cone technology, reducing breakup modes

Specs:

System

Nominal impedance	Zn	4	ohm
Power Handling		100	W
Sensitivity (2V/1m)		90	dB
Frequency Range		60-28.000	Hz
Cross-Over (2.order)		3000	Hz

Woofers Parameters

Resonance Frequency	fs	60	Hz
Mechanical Q factor	Qms	3,00	
Total Q factor	Qts	0,60	
Force factor	Bl	4,8	Tm
Moving mass	Mms	14	g
Effective piston area	Sd	133	cm2
Max mech. Excursion +/-		4	mm
Voice coil diameter		32	mm
Weight		590	g

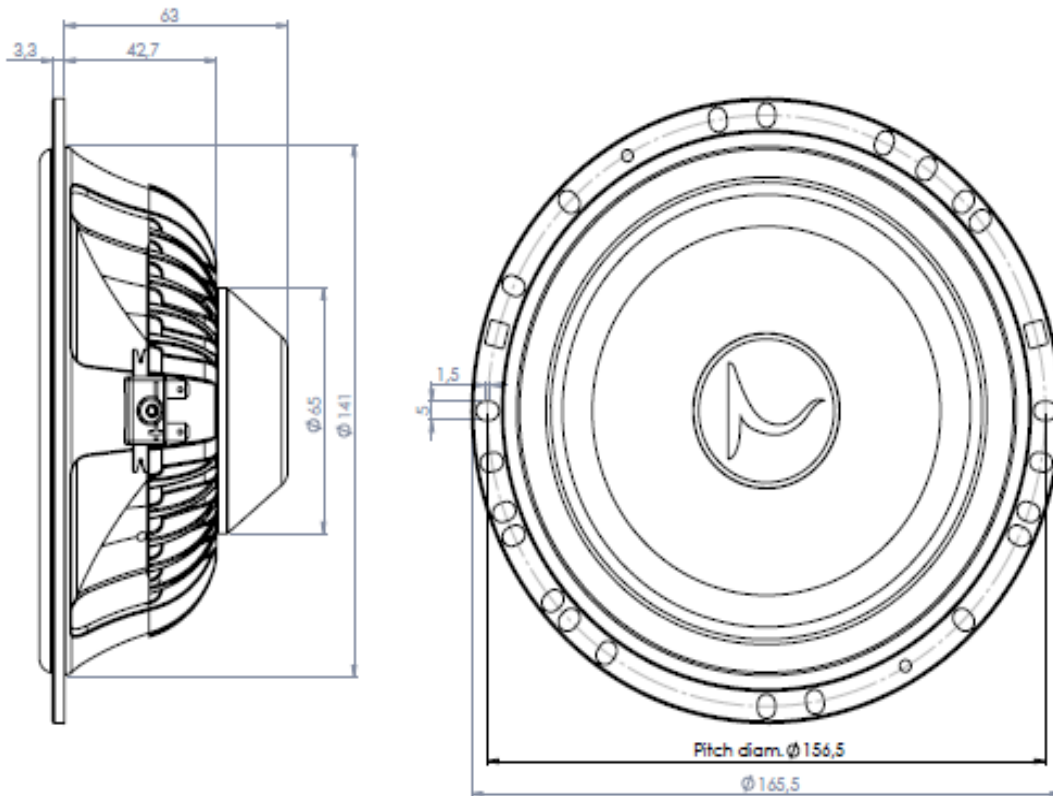
Tweeter Parametres

Resonance Frequency		1000	Hz
Effective piston area		3,8	cm2
Voice coil diameter		19	mm
Weight		60	g

Notes:

IEC Specs refer to IEC 60268,5 third sdition.
All Scan Speak products are RoHS compliant

Mechanical Dimensions Woofer:



Mechanical Dimensions Tweeter:

