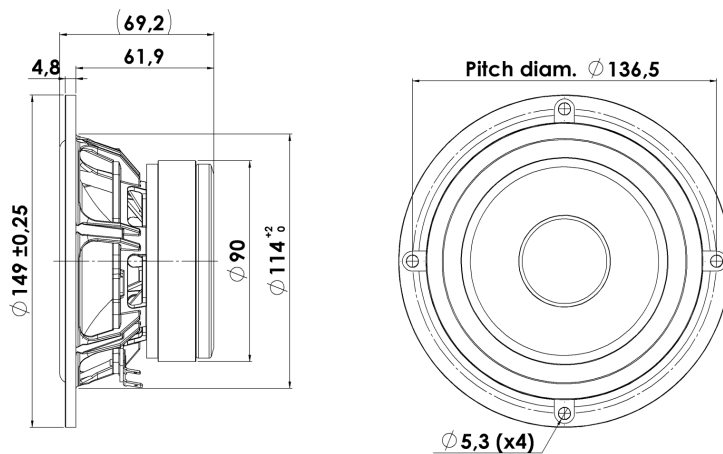




## MIDWOOFER

## 15W/4434G00

The Discovery series offer traditional design, superior sound, a solid construction, and a wide range of variants. Combining these elements - plus a wealth of technical features and finesses - it gives our customers the possibility of acquiring a tailor-made Scan-Speak solution with very good performance at a reasonable low price point!



### KEY FEATURES:

- High Output 90dB @ 2,83V
- Magnet System w. Alu Ring
- Die cast Alu Chassis vented below spider
- Coated NRSC Fibre Glass Cone
- Low Damping SBR Rubber Surround

#### T-S Parameters

Resonance frequency [fs]	43 Hz
Mechanical Q factor [Qms]	3.69
Electrical Q factor [Qes]	0.22
Total Q factor [Qts]	0.21
Force factor [Bl]	5.9 Tm
Mechanical resistance [Rms]	0.70 kg/s
Moving mass [Mms]	9.6 g
Suspension compliance [Cms]	1.43 mm/N
Effective diaph. diameter [D]	101 mm
Effective piston area [Sd]	80 cm <sup>2</sup>
Equivalent volume [Vas]	12.8 l
Sensitivity (2.83V/1m)	89.7 dB
Ratio Bl/√Re	3.41 N/√W
Ratio fs/Qts	207 Hz

#### Notes:

IEC specs. refer to IEC 60268-5 third edition.  
All Scan-Speak products are RoHS compliant.  
Data are subject to change without notice.  
Datasheet updated: February 22, 2011.

#### Electrical Data

Nominal impedance [Zn]	4 Ω
Minimum impedance [Zmin]	4.1 Ω
Maximum impedance [Zo]	53.3 Ω
DC resistance [Re]	3 Ω
Voice coil inductance [Le]	0.5 mH

#### Power Handling

100h RMS noise test (IEC 17.1)	60 W
Long-term max power (IEC 17.3)	120 W

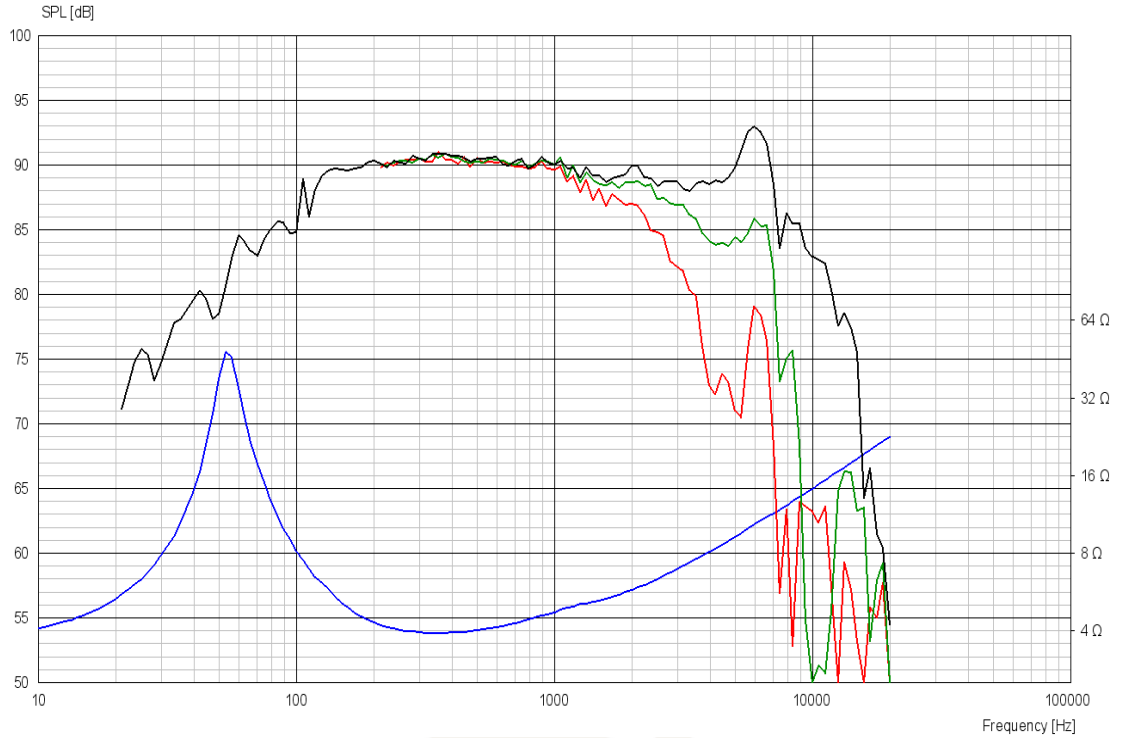
#### Voice Coil and Magnet Data

Voice coil diameter	32 mm
Voice coil height	13.6 mm
Voice coil layers	2
Height of gap	5 mm
Linear excursion	± 4.3 mm
Max mech. excursion	± 8 mm
Unit weight	1.2 kg

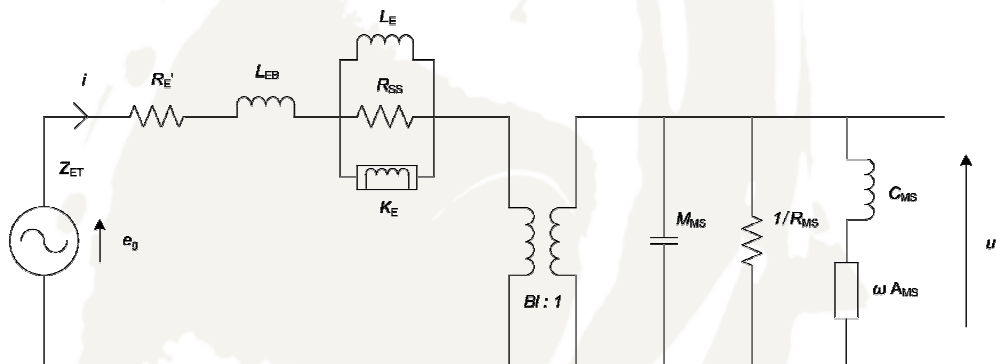


# MIDWOOFER

# 15W/4434G00



## Advanced Parameters (Preliminary)



### Electrical data:

Resistance [Re']	3.35 Ω
Free inductance [Leb]	0.0580 mH
Bound inductance [Le]	0.444 mH
Semi-inductance [Ke]	0.0489 SH
Shunt resistance [Rss]	1813 Ω

### Mechanical Data

Force Factor [Bl]	5.44 Tm
Moving mass [Mms]	10.4 g
Compliance [Cms]	1.23 mm/N
Mechanical resistance [Rms]	0.274 kg/s
Admittance [Ams]	0.206 mm/N