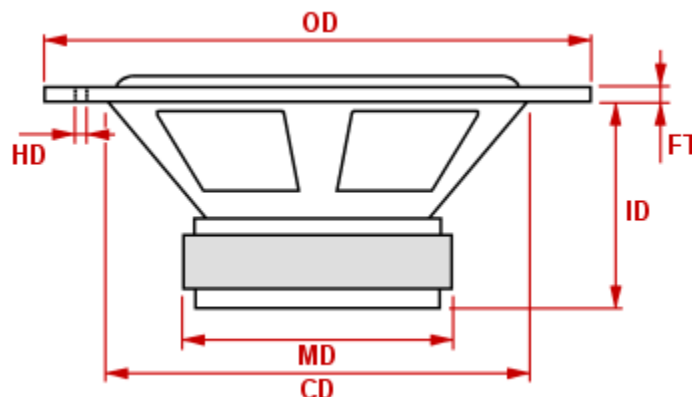
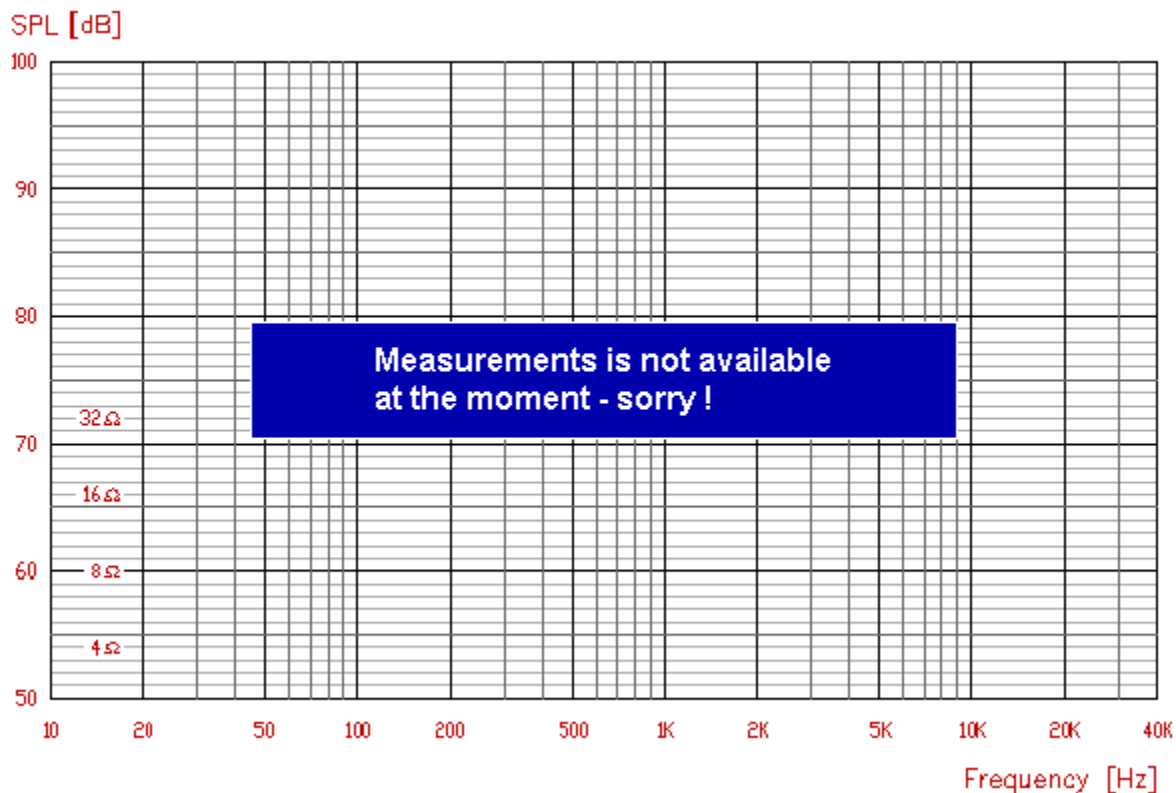



**vifa**
**XG18WH00-08**

Nominal impedance [ohm]	8
Voice coil resistance [ohm]	5.7
Nominal power [W]	-
Short term max power [W]	-
Long term max power [W]	-
Operating power [W]	-
Sensitivity [dB]	86
Frequency range [Hz]	-
Free air resonance [Hz]	34
Voice coil diameter [mm]	25
Voice coil height [mm]	14
Air gap height [mm]	4
Voice coil inductance [mH]	0.53
Eff. diaphragm Area [cm <sup>2</sup> ]	129
Moving mass [g]	11.8
Magnet weight [g]/[oz]	-
Force factor [Bl]	5.6
VAS [l]	45
Qms	1.77
Qes	0.46
Qts	0.36



OD:	180 mm	CD:	147 mm
FT:	1.7 mm	ID:	76 mm
MD:	91.8 mm	HD:	6xø5.2@ø163



Frequency response: 2.83V / 1m