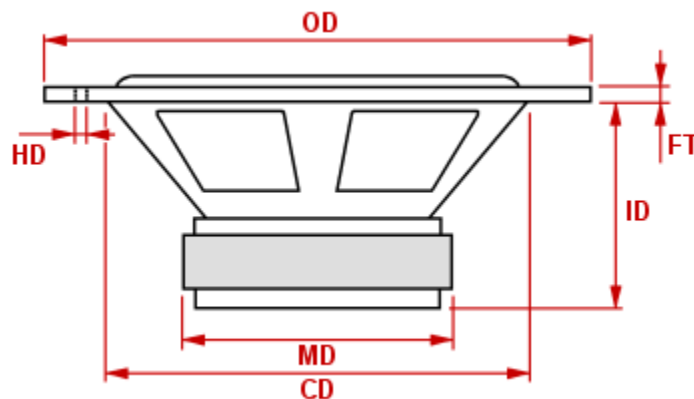




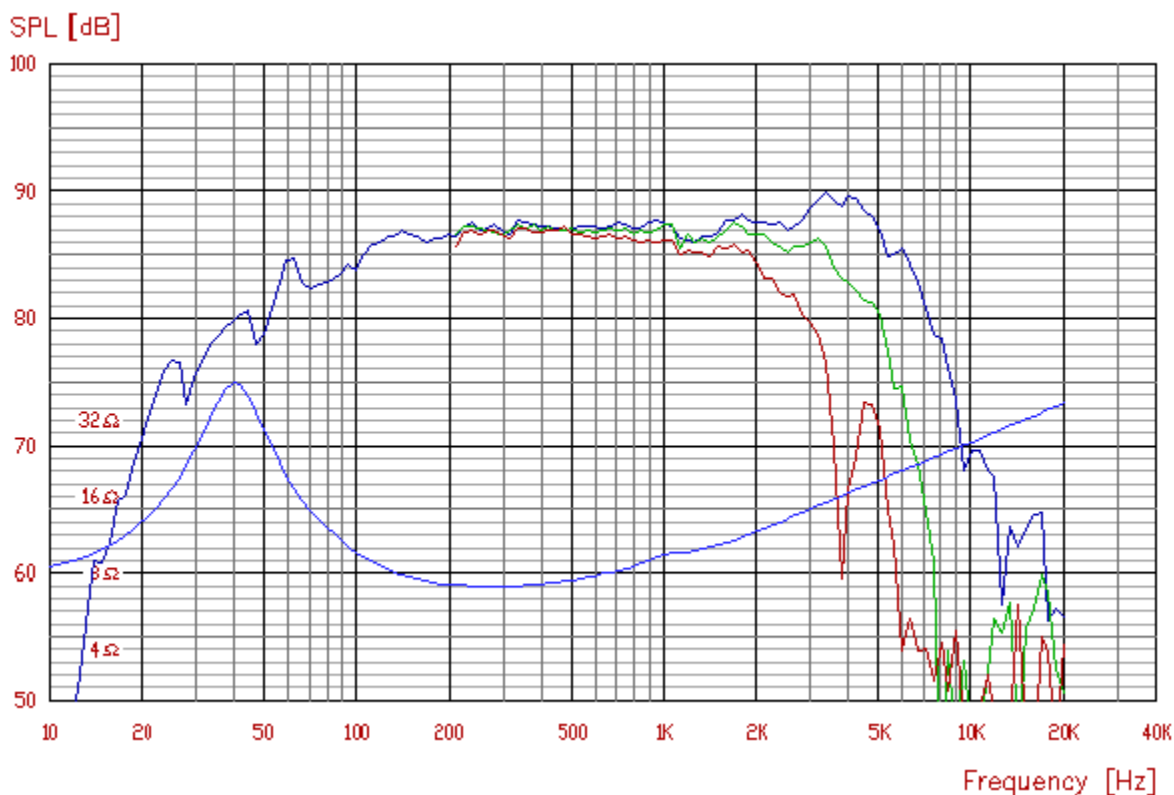
# vifa

## PL18W009-08

Nominal impedance [ohm]	8
Voice coil resistance [ohm]	5.8
Nominal power [W]	100
Short term max power [W]	400
Long term max power [W]	300
Operating power [W]	8
Sensitivity [dB]	87
Frequency range [Hz]	40-4000
Free air resonance [Hz]	38
Voice coil diameter [mm]	40
Voice coil height [mm]	14
Air gap height [mm]	6
Voice coil inductance [mH]	0.85
Eff. diaphragm Area [cm <sup>2</sup> ]	132
Moving mass [g]	17.5
Magnet weight [g]/[oz]	700/24.7
Force factor [Bl]	7.8
VAS [l]	25
Qms	2.46
Qes	0.40
Qts	0.34



OD: 180 mm	CD: 145 mm
FT: 5 mm	ID: -
MD: -	HD: -



Frequency response: 2.83V / 1m