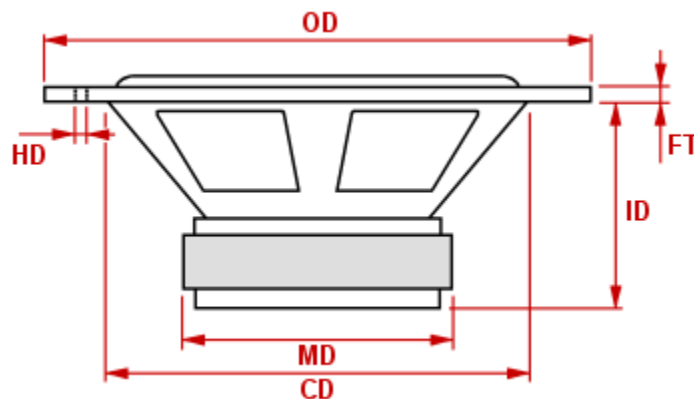
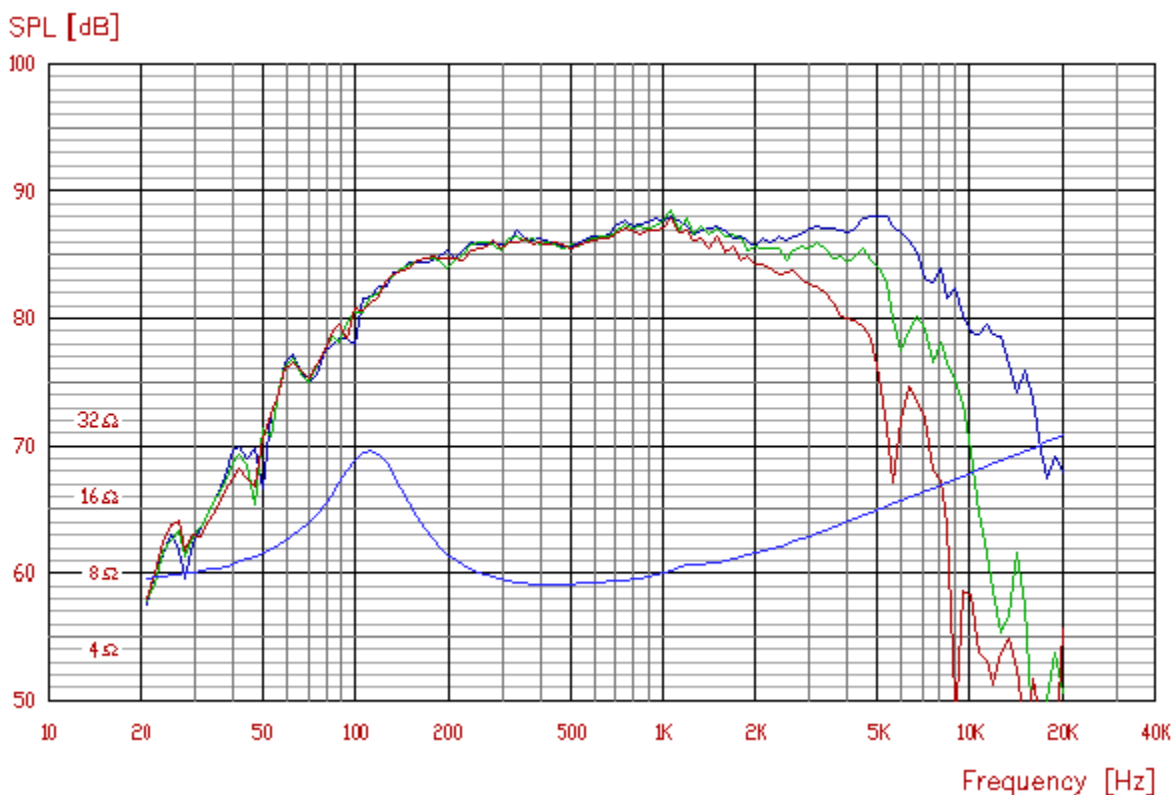



**vifa**
**PL11WH09-08**

Nominal impedance [ohm]	8
Voice coil resistance [ohm]	5.6
Nominal power [W]	35
Short term max power [W]	140
Long term max power [W]	80
Operating power [W]	8
Sensitivity [dB]	87
Frequency range [Hz]	70-5000
Free air resonance [Hz]	69
Voice coil diameter [mm]	25
Voice coil height [mm]	10
Air gap height [mm]	4
Voice coil inductance [mH]	0.45
Eff. diaphragm Area [cm <sup>2</sup> ]	58
Moving mass [g]	5.9
Magnet weight [g]/[oz]	415/14.6
Force factor [Bl]	6.1
VAS [l]	4.25
Q <sub>ms</sub>	1.70
Q <sub>es</sub>	0.39
Q <sub>ts</sub>	0.32



OD:	125 mm	CD:	101 mm
FT:	-	ID:	-
MD:	-	HD:	5 mm



Frequency response: 2.83V / 1m