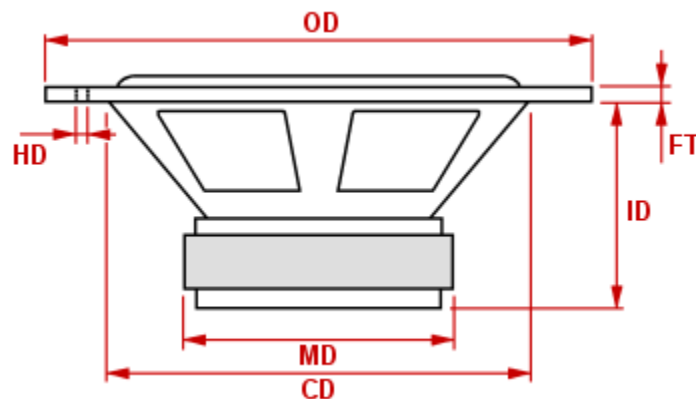




vifa

PL11WG09-04

Nominal impedance [ohm]	4
Voice coil resistance [ohm]	3.0
Nominal power [W]	35
Short term max power [W]	140
Long term max power [W]	80
Operating power [W]	15.9
Sensitivity [dB]	87
Frequency range [Hz]	70-5000
Free air resonance [Hz]	67
Voice coil diameter [mm]	25
Voice coil height [mm]	10
Air gap height [mm]	4
Voice coil inductance [mH]	0.36
Eff. diaphragm Area [cm ²]	58
Moving mass [g]	6.4
Magnet weight [g]/[oz]	240/8.5
Force factor [Bl]	3.9
VAS [l]	4.25
Q _{ms}	2.15
Q _{es}	0.53
Q _{ts}	0.42



OD:	125 mm	CD:	101 mm
FT:	-	ID:	-
MD:	-	HD:	5 mm

