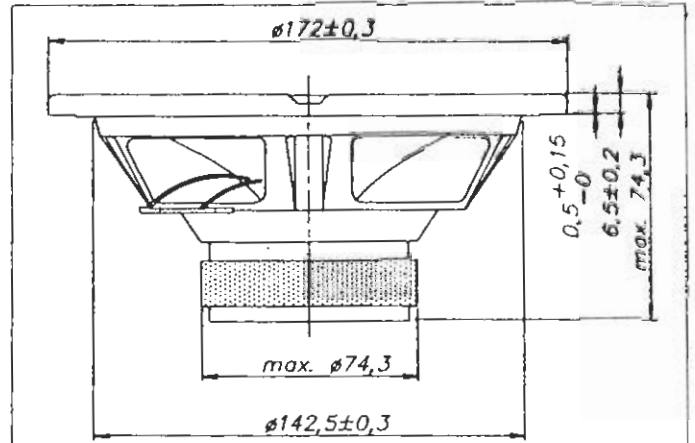


6 1/2" WOOFER

P17WG-00-06

SPECIAL FEATURES:

- MINERAL FILLED POLYCONE
- HIGH DAMPING RUBBER SURROUND
- VERY SMOOTH FREQUENCY RESPONSE
- USEABLE FOR BASS REFLEX
- BUILT-IN DECOR RING



NOMINAL IMPEDANCE	6 Ω
NOMINAL POWER (IEC 268-5)	50 W
MUSIC POWER (DIN 45.500)	80 W
FREQUENCY RANGE	35-5000 Hz
SENSITIVITY (1W, 1m)	87 dB
EFFECTIVE CONE AREA	136 cm ²
VOICE COIL RESISTANCE	4,0 Ω
VOICE COIL INDUCTANCE	0,4 mH
OPERATING POWER	8 W
VOICE COIL DIAMETER	25 mm
VOICE COIL HEIGHT	12 mm
AIR GAP HEIGHT	6 mm
FREE AIR RESONANCE	35 Hz
MOVING MASS (incl. air)	11 g
FORCE FACTOR, B x l	4,1 Txm
MAGNET WEIGHT	(8,5 oz) 240 g
Q _{ms}	1,34
Q _{es}	0,58
Q _{ts}	0,4
V _{as}	49,4 ltr

