

# T90A-EX

### Features

- World first horn super tweeter employing pure magnesium ring diaphragm.
- Tripled alnico magnet, compared to the regular T90A.
- Silver-Copper alloy wire for voice coil & internal wiring.
- Ultra high pass filter NW-90 is option.



### Specifications

Impedance :8Ω

Reproduction Frequency Response  
: 5 kHz - 35kHz  
: 15kHz - 100kHz  
(cutoff @ 30kHz/18dB/oct)

S.P.L. :104dB/W (1m)  
: 88dB/W (1m)  
(cutoff @ 30kHz/18dB/oct)

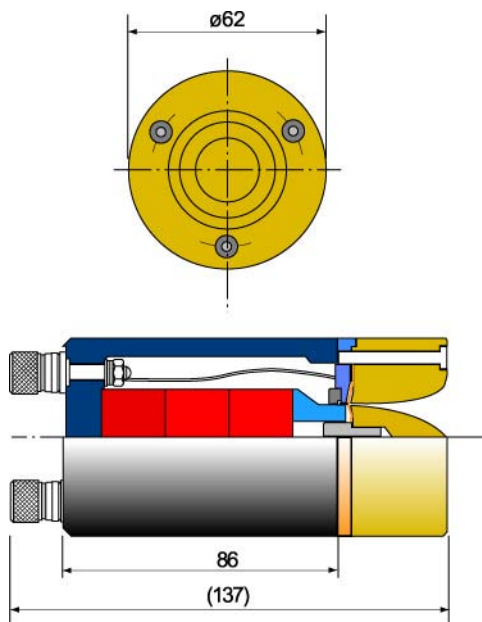
Power Handling :50W (Music)

Recommended Crossover Frequency  
:7kHz or more

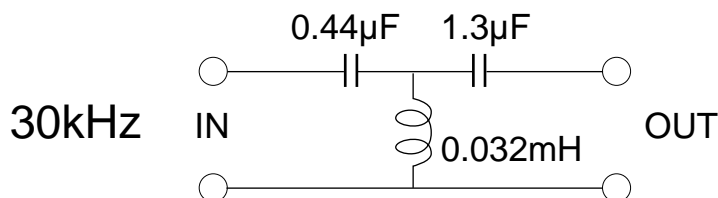
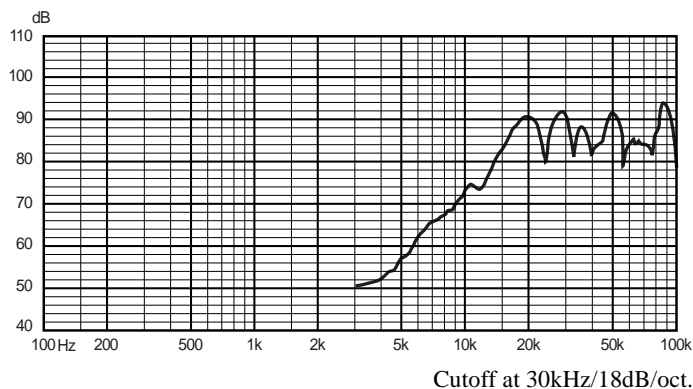
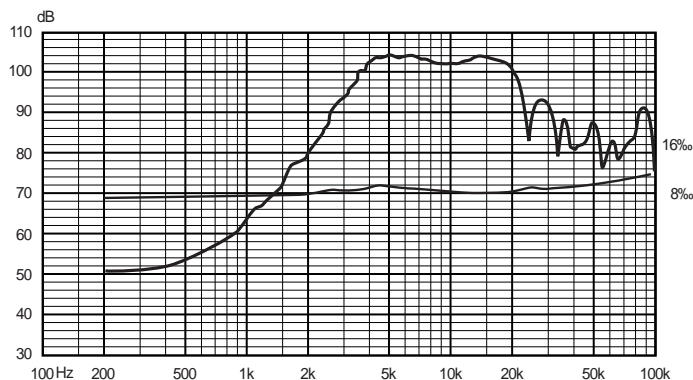
Magnet Weight :300g

Net Weight :1,600g

### Dimensions



### Frequency Response



Suggested crossover for 20k to 100k frequency response.