

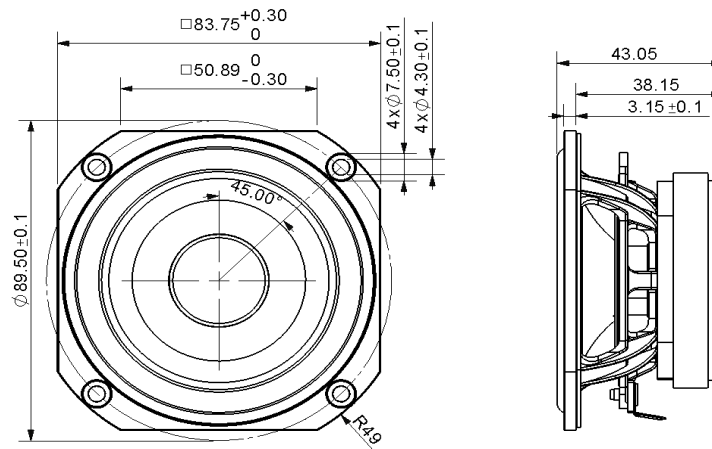


Product Description:

This TC family 3.5 inch 8 ohm full-range driver, with ferrite magnet, paper cone and rubber surround, and damped plastic basket, is designed to be a cost-effective high performance full range driver. The cone utilizes Tymphany-patented PentaCut NRSC cone technology to help dampen and control cone resonances, optimizing the listening experience. The motor contains a copper cap to lower inductance and distortion. The product was designed with television and other compact applications in mind.



Mechanical 2D Drawing:



Specifications:

DC Resistance	R_{evc}	Ω	6.3	5.0%	Energy Bandwidth Product	EBP	$(1/Q_{es}) \cdot f_s$	82
Minimum Impedance	Z_{min}	Ω	6.9	7.5%	Moving Mass	M_{ms}	g	2.60
Voice Coil Inductance	L_e	mH	0.10		Suspension Compliance	C_{ms}	um/N	641.9
Resonant Frequency	f_s	Hz	123	15.0%	Effective Cone Diameter	D	cm	6.8
Mechanical Q Factor	Q_{ms}	-	2.6		Effective Piston Area	S_D	cm ²	36.3
Electrical Q Factor	Q_{es}	-	1.50		Equivalent Volume	V_{as}	L	1.19
Total Q Factor	Q_{ts}	-	0.95		Motor Force Factor	BL	T·m	2.91
Ratio f_s / Q_{ts}	F	f_s / Q_{ts}	129		Motor Efficiency Factor	β	$(T \cdot m^2) / \Omega$	1.34
Half Space Sensitivity @ 2.83V	dB@2.83V/1m	dB	84.5	+/-1.0 ¹	Voice Coil Former Material	VC _m	-	Aluminum
Sensitivity @ 1W/1m	1W/1m	dB	83.5	+/-1.0 ¹	Voice Coil Inner Diameter	VC _d	mm	19.4
					Gap Height	Gh	mm	4.0
Rated Noise Power (IEC 2685 18.1)	P	W	5		Maximum Linear Excursion	X_{max}	mm	2.55
Test Spectrum Bandwidth	120Hz - 10kHz	12 dB/Oct			Ferrofluid Type	FF	N/A	
					Transducer Size	-	inch	3.5
					Transducer Mass	-	kg	0.3

1 - Piston Band Sensitivity Tolerance

Frequency and Impedance Response:

