

Model Number: TC6FC00-04  
Product Line: Peerless Silver

Revision: Rev 2\_0  
Date: 20-Jun-11

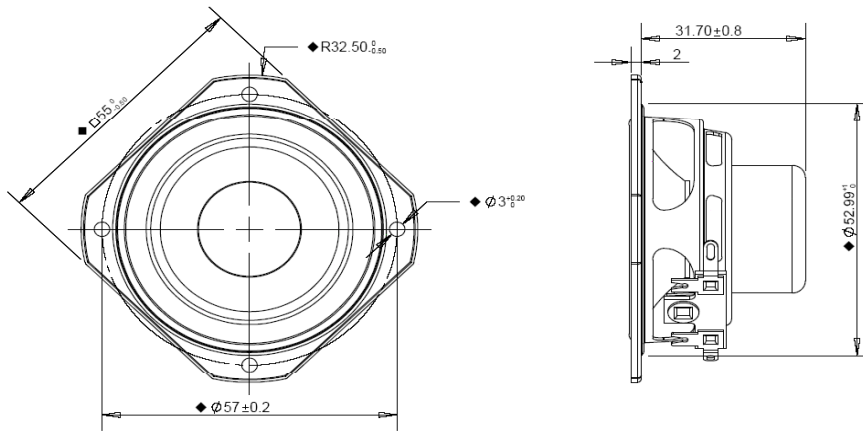


### Product Description:

This TC family 2 inch 4 ohm full-range driver, with neodymium magnet, paper cone and rubber surround, and steel basket, is designed to be a cost-effective high performance full range driver. The cone utilizes Tymphany-patented PentaCut NRSC cone technology to help dampen and control cone resonances, optimizing the listening experience. The motor contains a copper cap to lower inductance and distortion. The product was designed with television and other compact applications in mind.



### Mechanical 2D Drawing:

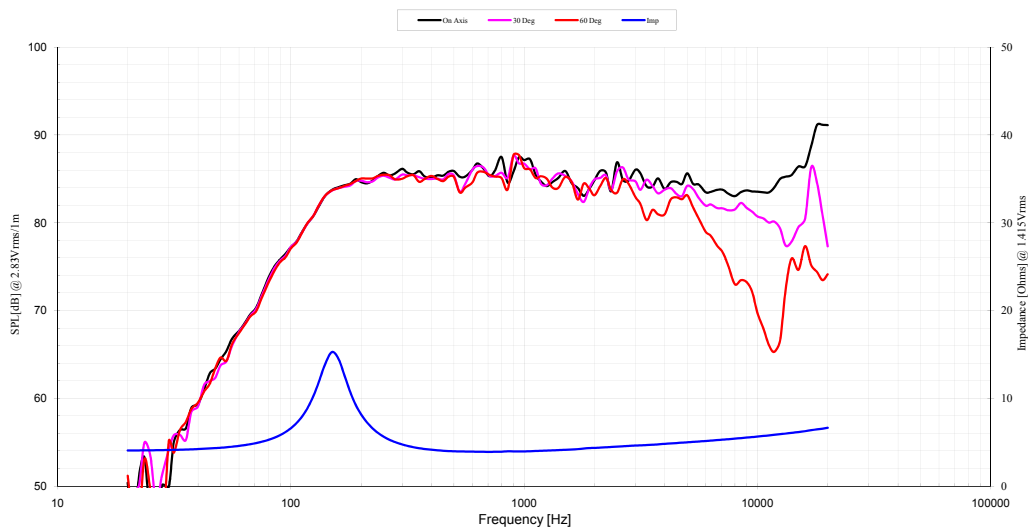


### Specifications:

DC Resistance	$R_{evc}$	$\Omega$	3.4	7.5%	Energy Bandwidth Product	EBP	$(1/Q_{es})f_s$	177
Minimum Impedance	$Z_{min}$	$\Omega$	3.89	7.5%	Moving Mass	$M_{ms}$	g	1.2
Voice Coil Inductance	$L_e$	mH	0.03		Suspension Compliance	$C_{ms}$	um/N	665
Resonant Frequency	$f_s$	Hz	181	15.0%	Effective Cone Diameter	D	cm	4.40
Mechanical Q Factor	$Q_{ms}$	-	3.61		Effective Piston Area	$S_D$	cm <sup>2</sup>	15.2
Electrical Q Factor	$Q_{es}$	-	1.02		Equivalent Volume	$V_{as}$	L	0.146
Total Q Factor	$Q_{ts}$	-	0.80		Motor Force Factor	BL	T·m	2.11
Ratio $f_s / Q_{ts}$	F	$f_s / Q_{ts}$	227		Motor Efficiency Factor	$\beta$	$(T \cdot m^2) / \Omega$	1.29
Half Space Sensitivity @ 2.83V	dB@2.83V/1m	dB	86.1	+/-1.0 <sup>1</sup>	Voice Coil Former Material	VC <sub>fm</sub>	-	ASV
Sensitivity @ 1W/1m	1W/1m	dB	82.9	+/-1.0 <sup>1</sup>	Voice Coil Inner Diameter	VC <sub>d</sub>	mm	19.32
					Gap Height	Gh	mm	3.00
Rated Noise Power (IEC 2685 18.1)	P	W	15		Maximum Linear Excursion	$X_{max}$	mm	1.00
Test Spectrum Bandwidth	150Hz - 20kHz		12 dB/Oct		Ferrofluid Type	FF		N/A
					Transducer Size	-	inch	2
					Transducer Mass	-	kg	0.08

1 - Piston Band Sensitivity Tolerance

### Frequency and Impedance Response:



F088-0713A