

Model Number: NE19VTS-04  
Product Line: Peerless Platinum

Revision: Rev 2\_1  
Date: 25-Aug-10

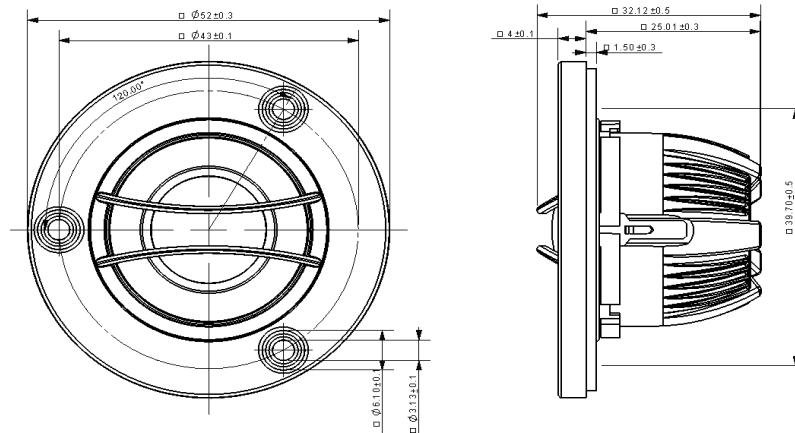


**Product Description:**

The NE family has leading-edge transducer technology packaged in a cutting edge, stylistic design. The 4 ohm 19 mm tweeters in this family feature finite element analysis designed Neodymium-Iron-Boron magnet (NdFeB) motors, with copper caps for extended frequency response and reduced distortion. The aluminium rear chambers offer extended low frequency performance, while doubling as heat sinking. The butterfly supporting the tweeter diaphragm is made of a high temperature plastic, consistent with the product's high temperature performance rating, and features supporting terminals. The dome material in this design is silk, and the design has been optimized for sound quality and clarity. Rounding out the design is an aluminium face plate and plastic grille, which offers protection for the tweeter diaphragm.



**Mechanical 2D Drawing:**



**Specifications:**

DC Resistance	$R_{evc}$	$\Omega$	2.7	5.0%	Energy Bandwidth Product	EBP	$(1/Q_{es})f_s$	327
Minimum Impedance	$Z_{min}$	$\Omega$	3.2	7.5%	Moving Mass	$M_{ms}$	g	0.21
Voice Coil Inductance	$L_e$	mH	0.01		Suspension Compliance	$C_{ms}$	um/N	222.9
Resonant Frequency	$f_s$	Hz	743	15.0%	Effective Cone Diameter	D	cm	2.5
Mechanical Q Factor	$Q_{ms}$	-	3.4		Effective Piston Area	$S_D$	cm <sup>2</sup>	4.9
Electrical Q Factor	$Q_{es}$	-	2.27		Equivalent Volume	$V_{as}$	L	0.01
Total Q Factor	$Q_{ts}$	-	1.36		Motor Force Factor	BL	T·m	1.07
Ratio $f_s / Q_{ts}$	F	$f_s / Q_{ts}$	548		Motor Efficiency Factor	$\beta$	$(T \cdot m^2) / \Omega$	0.42
Half Space Sensitivity @ 2.83V	dB@2.83V/1m	dB	88.6	+/-1.0 <sup>1</sup>	Voice Coil Former Material	VC <sub>fm</sub>	-	ASV
Sensitivity @ 1W/1m	1W/1m	dB	83.2	+/-1.0 <sup>1</sup>	Voice Coil Inner Diameter	VC <sub>id</sub>	mm	19.3
					Gap Height	Gh	mm	2.0
Rated Noise Power (IEC 2685 18.1)	P	W	100		Maximum Linear Excursion	$X_{max}$	mm	0.10
Test Spectrum Bandwidth	2.5kHz - 20kHz		12 dB/Oct		Ferrofluid Type	FF		N/A
					Transducer Size	-	inch	0.75
					Transducer Mass	-	kg	0.06

1 - Piston Band Sensitivity Tolerance

**Frequency and Impedance Response:**

