

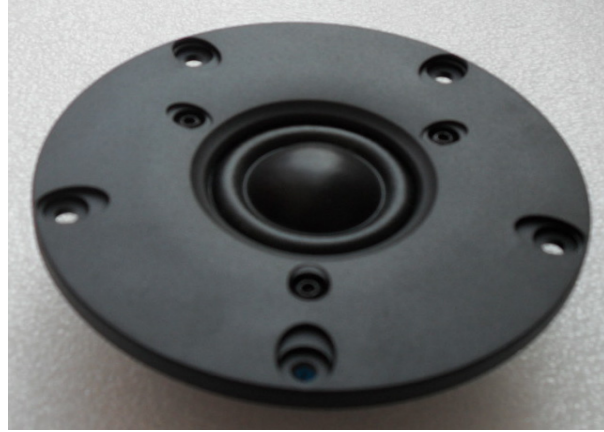
Model Number: DX25TG09-04  
Product Line: Peerless Gold

Revision: Rev 1\_0  
Date: 28-Apr-10

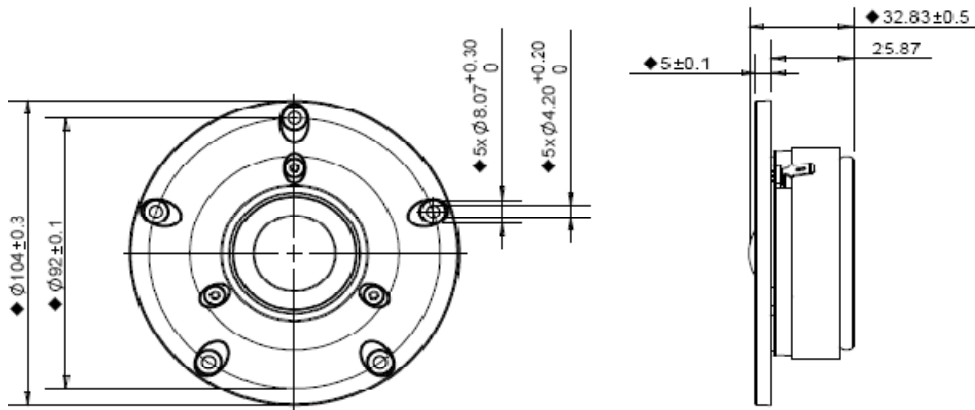


**Product Description:**

This DX family tweeter features a 25 mm diameter 4 ohm ferrofluid-cooled voice coil, a damped silk diaphragm with large surround roll to produce a low resonant frequency, and a ferrite magnet motor which adds heat sinking for power handling capacity. The faceplate features recessed mounting holes to minimize reflections.



**Mechanical 2D Drawing:**



**Specifications:**

DC Resistance	$R_{evc}$	$\Omega$	3.0	5.0%	Energy Bandwidth Product	EBP	$(1/Q_{es})f_s$	1016
Minimum Impedance	$Z_{min}$	$\Omega$	3.6	7.5%	Moving Mass	$M_{ms}$	g	0.4
Voice Coil Inductance	$L_e$	mH	0.02		Suspension Compliance	$C_{ms}$	um/N	141
Resonant Frequency	$f_s$	Hz	703	15.0%	Effective Cone Diameter	D	cm	3.24
Mechanical Q Factor	$Q_{ms}$	-	3.43		Effective Piston Area	$S_D$	cm <sup>2</sup>	8.2
Electrical Q Factor	$Q_{es}$	-	0.69		Equivalent Volume	$V_{as}$	L	0.013
Total Q Factor	$Q_{ts}$	-	0.58		Motor Force Factor	BL	T·m	2.64
Ratio $f_s / Q_{ts}$	F	$f_s / Q_{ts}$	1220		Motor Efficiency Factor	$\beta$	$(T \cdot m^2) / \Omega$	2.32
Half Space Sensitivity @ 2.83V	$dB @ 2.83V/1m$	dB	92.0	+/-1.0 <sup>1</sup>	Voice Coil Former Material	$VC_m$	-	ASV
Sensitivity @ 1W/1m	$1W/1m$	dB	87.7	+/-1.0 <sup>1</sup>	Voice Coil Inner Diameter	$VC_d$	mm	25.76
Rated Noise Power (IEC 2685 18.1)	P	W	100		Gap Height	Gh	mm	2.00
Test Spectrum Bandwidth	2.5kHz - 20kHz	12 dB/Oct			Maximum Linear Excursion	$X_{max}$	mm	0.10
					Ferrofluid Type	FF		APGS11N
					Transducer Size	-	inch	1
					Transducer Mass	-	Kg	0.5

1 - Piston Band Sensitivity Tolerance

**Frequency and Impedance Response:**

