

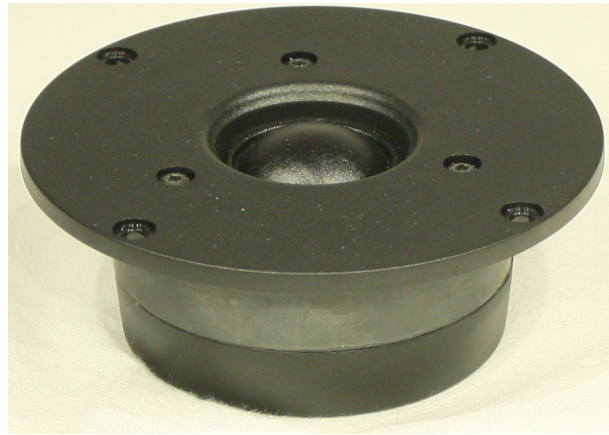
Model Number: D27TG-35-06
Product Line: Peerless Silver

Revision: Rev 1_0
Date: 4-Sep-09

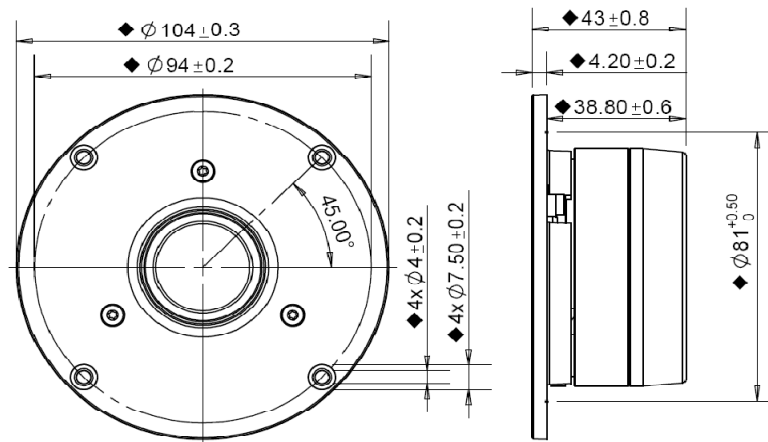


Product Description:

This D family tweeter features an 8 ohm 25 mm voice coil, a treated silk dome, large rear chamber for low resonant frequency, and a ferrofluid-cooled ferrite magnet motor. The large motor and rear chamber allow for robust power handling capacity. The tweeter comes with a faceplate with recessed mounting holes, for easy installation into the desired application.



Mechanical 2D Drawing:



Specifications:

DC Resistance	R_{evc}	Ω	4.9	5.0%	Energy Bandwidth Product	EBP	$(1/Q_{es}) \cdot f_s$	964
Minimum Impedance	Z_{min}	Ω	5.4	7.5%	Moving Mass	M_{ms}	g	0.36
Voice Coil Inductance	L_e	mH	0.02		Suspension Compliance	C_{ms}	um/N	136.3
Resonant Frequency	f_s	Hz	720	15.0%	Effective Cone Diameter	D	cm	2.8
Mechanical Q Factor	Q_{ms}	-	0.9		Effective Piston Area	S_D	cm ²	6.2
Electrical Q Factor	Q_{es}	-	0.75		Equivalent Volume	V_{as}	L	0.01
Total Q Factor	Q_{ts}	-	0.40		Motor Force Factor	BL	T·m	3.26
Ratio f_s / Q_{es}	F	f_s / Q_{es}	1787		Motor Efficiency Factor	β	$(T \cdot m^2) / \Omega$	2.17
Half Space Sensitivity @ 2.83V	$dB @ 2.83V/1m$	dB	92.5	$\pm 1.0^1$	Voice Coil Former Material	VC_m	-	Aluminium
Sensitivity @ 1W/1m	$1W/1m$	dB	87.4	$\pm 1.0^1$	Voice Coil Inner Diameter	VC_d	mm	25.8
					Gap Height	Gh	mm	2.5
Rated Noise Power (IEC 2685 18.1)	P	W	100		Maximum Linear Excursion	X_{max}	mm	0.45
Test Spectrum Bandwidth	700Hz - 20kHz		12 dB/Oct		Ferrofluid Type	FF		APGL11
					Transducer Size	-	inch	1
					Transducer Mass	-	kg	0.52

1 - Piston Band Sensitivity Tolerance

Frequency and Impedance Response:

