

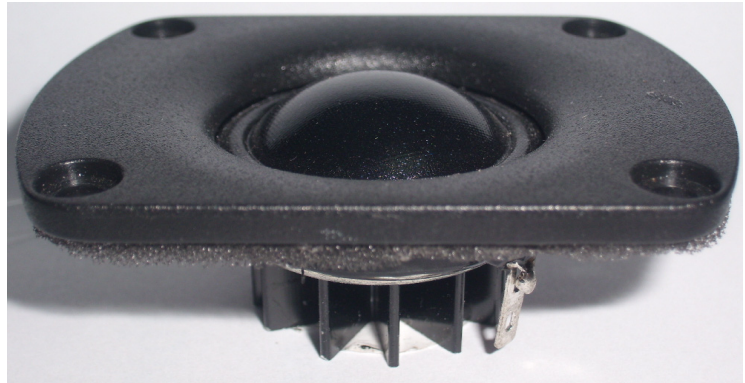
Model Number: BC25SC55-04  
Product Line: Peerless Silver

Revision: Rev 1\_0  
Date: 4-Sep-09

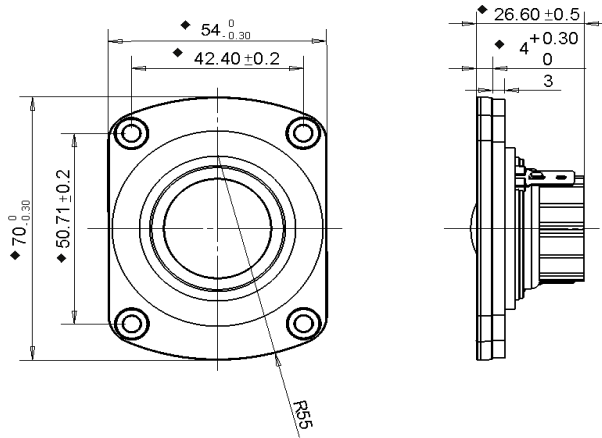


**Product Description:**

This BC family tweeter features a 4 ohm 25 mm voice coil, a damped fabric dome for smooth frequency response performance, and ferrofluid in the gap of the neodymium magnet motor, providing enhanced cooling of the voice coil. The tweeter comes with a compact faceplate with recessed mounting holes, complete with sealing gasket which helps in reducing vibration between baffle and driver. A finned heat sink has been added for improved power handling.



**Mechanical 2D Drawing:**



**Specifications:**

DC Resistance	$R_{evc}$	$\Omega$	2.7	5.0%	Energy Bandwidth Product	EBP	$(1/Q_{es})f_s$	767
Minimum Impedance	$Z_{min}$	$\Omega$	3.4	7.5%	Moving Mass	$M_{ms}$	g	0.4
Voice Coil Inductance	$L_e$	mH	0.02		Suspension Compliance	$C_{ms}$	um/N	36
Resonant Frequency	$f_s$	Hz	1400	15.0%	Effective Cone Diameter	D	cm	3.00
Mechanical Q Factor	$Q_{ms}$	-	3.82		Effective Piston Area	$S_D$	cm <sup>2</sup>	7.1
Electrical Q Factor	$Q_{es}$	-	1.83		Equivalent Volume	$V_{as}$	L	0.003
Total Q Factor	$Q_{ts}$	-	1.24		Motor Force Factor	BL	T·m	2.18
Ratio $f_s / Q_{ts}$	F	$f_s / Q_{ts}$	1134		Motor Efficiency Factor	$\beta$	$(T \cdot m^2) / \Omega$	1.74
Half Space Sensitivity @ 2.83V	dB@2.83V/1m	dB	94.0	+/-1.0 <sup>1</sup>	Voice Coil Former Material	VC <sub>fm</sub>	-	ASV
Sensitivity @ 1W/1m	1W/1m	dB	89.3	+/-1.0 <sup>1</sup>	Voice Coil Inner Diameter	VC <sub>d</sub>	mm	25.40
					Gap Height	Gh	mm	2.00
Rated Noise Power (IEC 2685 18.1)	P	W	100		Maximum Linear Excursion	X <sub>max</sub>	mm	0.00
Test Spectrum Bandwidth	1.4kHz - 20kHz		12 dB/Oct		Ferrofluid Type	FF		APG027
					Transducer Size	-	inch	1
					Transducer Mass	-	kg	0.08

1 - Piston Band Sensitivity Tolerance

**Frequency and Impedance Response:**

