

Model Number: SLS-P830946
Product Line: Peerless Silver

Revision: Rev 1_1
Date: 31-Aug-09

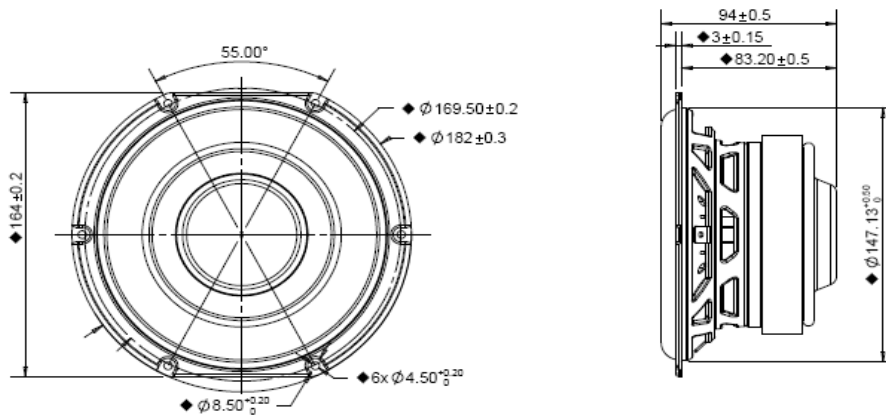


Product Description:

The SLS line combines high quality performance with an affordable design. This 6.5 inch 4 ohm member of the SLS family features a rigid steel basket, a paper cone, and a ferrite magnet motor with aluminium shorting ring for improved distortion performance.



Mechanical 2D Drawing:



Specifications:

DC Resistance	R_{evc}	Ω	2.7	5.0%	Energy Bandwidth Product	EBP	$(1/Q_{es})f_s$	110
Minimum Impedance	Z_{min}	Ω	3.6	7.5%	Moving Mass	M_{ms}	g	30.5
Voice Coil Inductance	L_e	mH	0.65		Suspension Compliance	C_{ms}	um/N	467
Resonant Frequency	f_s	Hz	42	15.0%	Effective Cone Diameter	D	cm	12.54
Mechanical Q Factor	Q_{ms}	-	4.92		Effective Piston Area	S_D	cm ²	123.5
Electrical Q Factor	Q_{es}	-	0.38		Equivalent Volume	V_{as}	L	11.196
Total Q Factor	Q_{ts}	-	0.35		Motor Force Factor	BL	T·m	7.60
Ratio f_s / Q_{ts}	F	f_s / Q_{ts}	119		Motor Efficiency Factor	β	$(T \cdot m^2) / \Omega$	21.18
Half Space Sensitivity @ 2.83V	dB@2.83V/1m	dB	86.7	+/-1.0 ¹	Voice Coil Former Material	VC _m	-	GSV
Sensitivity @ 1W/1m	1W/1m	dB	82.0	+/-1.0 ¹	Voice Coil Inner Diameter	VC _d	mm	38.44
					Gap Height	Gh	mm	8.00
Rated Noise Power (IEC 2685 18.1)	P	W	75		Maximum Linear Excursion	X_{max}	mm	8.20
Test Spectrum Bandwidth	20Hz - 1kHz	12 dB/Oct			Ferrofluid Type	FF	N/A	
					Transducer Size	-	inch	6.5
					Transducer Mass	-	kg	2.4

1 - Piston Band Sensitivity Tolerance

Frequency and Impedance Response:

