

Model Number: SDS-P830880
Product Line: Peerless Silver

Revision: Rev 1_0
Date: 29-Mar-10

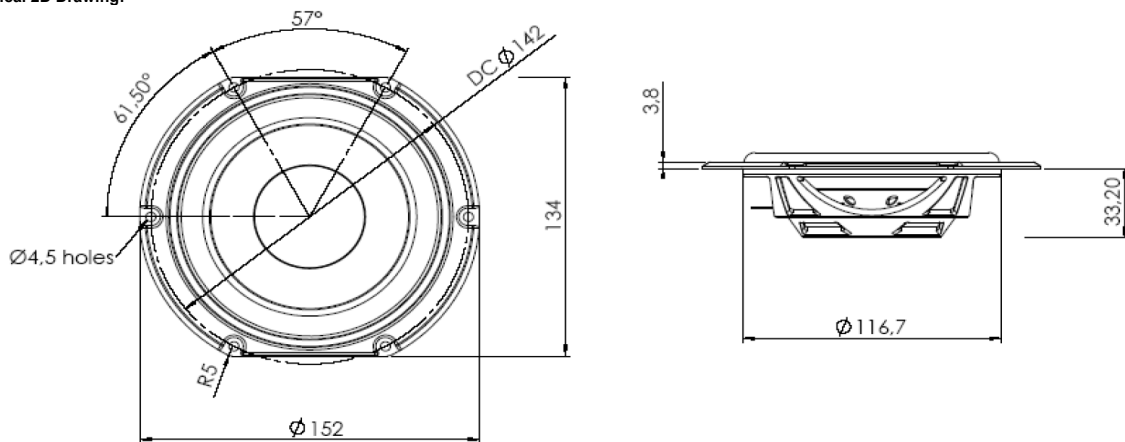


Product Description:

The SDS compact subwoofer family offers low resonant frequency performance, ideally suited for compact sealed enclosures. This 5.25 inch member of the SDS family is a passive radiator, designed to match up with SDS subwoofers, and features a coated paper cone with rubber surround, and a narrow-profile steel basket shaped to fit into narrow cabinets.



Mechanical 2D Drawing:



Specifications:

DC Resistance	R_{evc}	Ω	N/A	5.0%	Energy Bandwidth Product	EBP	$(1/Q_{\text{es}}) \cdot f_s$	N/A
Minimum Impedance	Z_{min}	Ω	N/A	7.5%	Moving Mass	M_{ms}	g	48.0
Voice Coil Inductance	L_e	mH	N/A		Suspension Compliance	C_{ms}	um/N	719
Resonant Frequency	f_s	Hz	27	15.0%	Effective Cone Diameter	D	cm	10.52
Mechanical Q Factor	Q_{ms}	-	N/A		Effective Piston Area	S_D	cm ²	87.0
Electrical Q Factor	Q_{es}	-	N/A		Equivalent Volume	V_{as}	L	NA
Total Q Factor	Q_{ts}	-	N/A		Motor Force Factor	BL	T·m	NA
Ratio f_s / Q_{ts}	F	f_s / Q_{ts}	N/A		Motor Efficiency Factor	β	$(T \cdot m^2) / \Omega$	NA
Half Space Sensitivity @ 2.83V	$\text{dB} @ 2.83\text{V}/1\text{m}$	dB	N/A	$\pm 1.0^1$	Voice Coil Former Material	VC_{fm}	-	NA
Sensitivity @ 1W/1m	$1\text{W}/1\text{m}$	dB	N/A	$\pm 1.0^1$	Voice Coil Inner Diameter	VC_{id}	mm	NA
Rated Noise Power (IEC 2685 18.1)	P	W	N/A		Gap Height	Gh	mm	N/A
Test Spectrum Bandwidth	N/A		12 dB/Oct		Maximum Linear Excursion	X_{max}	mm	N/A
					Ferrofluid Type	FF		N/A
					Transducer Size	-	inch	5.25
					Transducer Mass	-	kg	0.18

1 - Piston Band Sensitivity Tolerance

Frequency and Impedance Response:

