

Model Number: SLS-P830668
 Product Line: Peerless Silver

Revision: Rev 1_0
 Date: 7-Sep-09

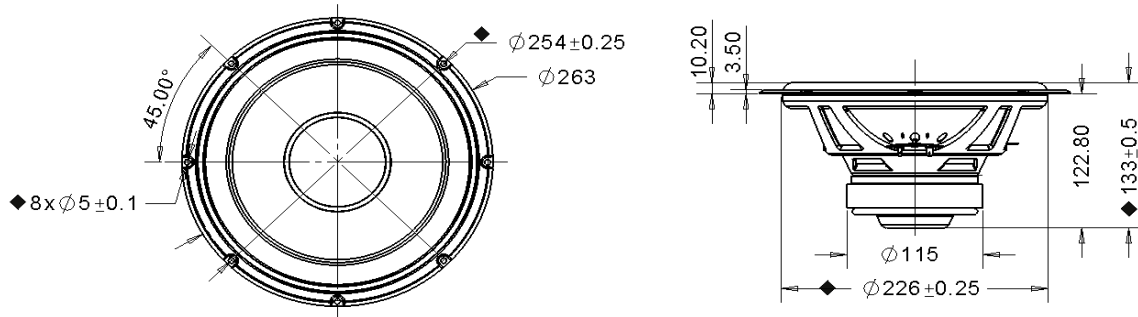


Product Description:

The SLS line combines high quality performance with an affordable design. This 10 inch 8 ohm member of the SLS family features a rigid steel basket, a coated paper cone, and a ferrite magnet motor with aluminium shorting ring for improved distortion performance.



Mechanical 2D Drawing:



Specifications:

DC Resistance	R_{evc}	Ω	5.7	5.0%	Energy Bandwidth Product	EBP	$(1/Q_{\text{es}})f_s$	51
Minimum Impedance	Z_{min}	Ω	6.6	7.5%	Moving Mass	M_{ms}	g	52.11
Voice Coil Inductance	L_e	mH	1.15		Suspension Compliance	C_{ms}	um/N	449.4
Resonant Frequency	f_s	Hz	33	15.0%	Effective Cone Diameter	D	cm	21.0
Mechanical Q Factor	Q_{ms}	-	7.7		Effective Piston Area	S_D	cm ²	346.4
Electrical Q Factor	Q_{es}	-	0.64		Equivalent Volume	V_{as}	L	75.71
Total Q Factor	Q_{ts}	-	0.59		Motor Force Factor	BL	T·m	9.79
Ratio f_s / Q_{ts}	F	f_s / Q_{ts}	56		Motor Efficiency Factor	β	$(T \cdot m^2) / \Omega$	16.79
Half Space Sensitivity @ 2.83V	dB@2.83V/1m	dB	87.7	+/-1.0 ¹	Voice Coil Former Material	VC _m	-	Glass
Sensitivity @ 1W/1m	1W/1m	dB	88.1	+/-1.0 ¹	Voice Coil Inner Diameter	VC _d	mm	38.4
Rated Noise Power (IEC 2685 18.1)	P	W	70		Gap Height	Gh	mm	8.0
Test Spectrum Bandwidth	30Hz - 2kHz	12 dB/Oct			Maximum Linear Excursion	X_{max}	mm	8.25
					Ferrofluid Type	FF	N/A	
					Transducer Size	-	inch	10
					Transducer Mass	-	kg	2.7

1 - Piston Band Sensitivity Tolerance

Frequency and Impedance Response:

