

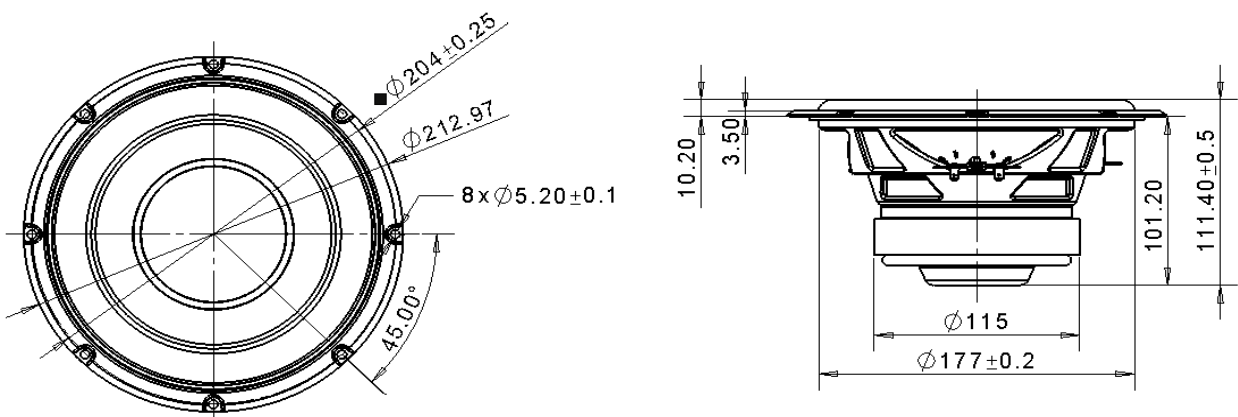


Product Description:

The SLS line combines high quality performance with an affordable design. This 8 inch 8 ohm member of the SLS family features a rigid steel basket, a coated paper cone, and a ferrite magnet motor with aluminium shorting ring for improved distortion performance.



Mechanical 2D Drawing:



Specifications:

DC Resistance	R_{evc}	Ω	5.5	5.0%	Energy Bandwidth Product	EBP	$(1/Q_{\text{es}})f_s$	56
Minimum Impedance	Z_{min}	Ω	6.2	7.5%	Moving Mass	M_{ms}	g	34.78
Voice Coil Inductance	L_e	mH	0.78		Suspension Compliance	C_{ms}	um/N	409.1
Resonant Frequency	f_s	Hz	42	15.0%	Effective Cone Diameter	D	cm	16.5
Mechanical Q Factor	Q_{ms}	-	5.7		Effective Piston Area	S_D	cm ²	213.8
Electrical Q Factor	Q_{es}	-	0.75		Equivalent Volume	V_{as}	L	26.27
Total Q Factor	Q_{ts}	-	0.66		Motor Force Factor	BL	T·m	8.26
Ratio f_s / Q_{ts}	F	f_s / Q_{ts}	64		Motor Efficiency Factor	β	$(T \cdot m^2) / \Omega$	12.34
Half Space Sensitivity @ 2.83V	dB@2.83V/1m	dB	86.0	+/-1.0 ¹	Voice Coil Former Material	VC _m	-	GSV
Sensitivity @ 1W/1m	1W/1m	dB	86.0	+/-1.0 ¹	Voice Coil Inner Diameter	VC _d	mm	38.4
					Gap Height	Gh	mm	8.0
Rated Noise Power (IEC 2685 18.1)	P	W	90		Maximum Linear Excursion	X_{max}	mm	8.41
Test Spectrum Bandwidth	20Hz - 20kHz	12 dB/Oct			Ferrofluid Type	FF	-	N/A
					Transducer Size	-	inch	8
					Transducer Mass	-	kg	2.52

1 - Piston Band Sensitivity Tolerance

Frequency and Impedance Response:

