

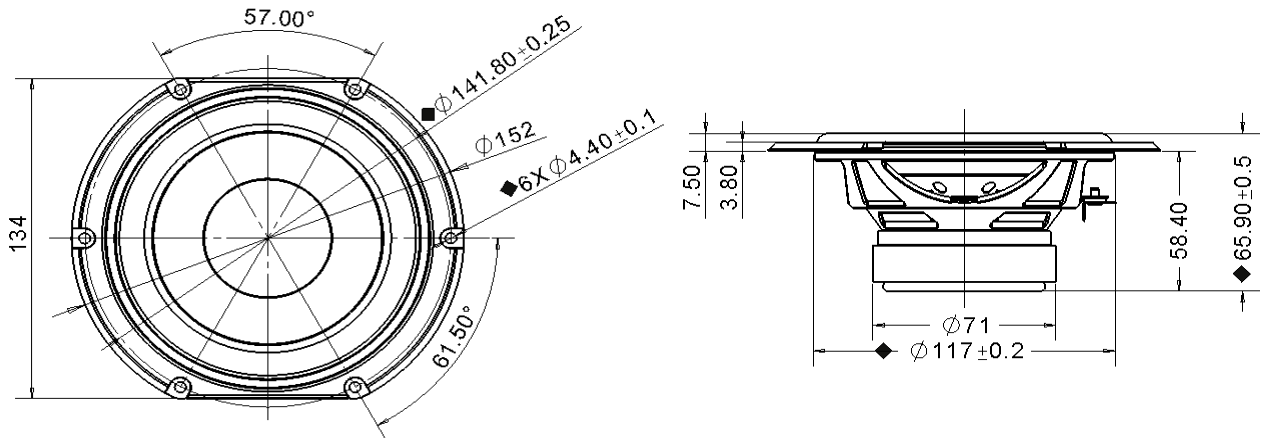


Product Description:

The SDS compact subwoofer family offers low resonant frequency performance, ideally suited for compact sealed enclosures. This 5.25 inch 8 ohm member of the SDS family offer a coated paper cone with rubber surround, a high power voice coil suspended in a ferrite magnet motor, and a narrow-profile steel basket, shaped to fit into narrow cabinets.



Mechanical 2D Drawing:



Specifications:

DC Resistance	R_{evc}	Ω	6.1	5.0%	Energy Bandwidth Product	EBP	$(1/Q_{es}) \cdot f_s$	81
Minimum Impedance	Z_{min}	Ω	6.5	7.5%	Moving Mass	M_{ms}	g	9.3
Voice Coil Inductance	L_e	mH	0.37		Suspension Compliance	C_{ms}	um/N	833
Resonant Frequency	f_s	Hz	57	15.0%	Effective Cone Diameter	D	cm	10.50
Mechanical Q Factor	Q_{ms}	-	3.60		Effective Piston Area	S_D	cm ²	86.6
Electrical Q Factor	Q_{es}	-	0.70		Equivalent Volume	V_{as}	L	8.774
Total Q Factor	Q_{ts}	-	0.59		Motor Force Factor	BL	T·m	5.36
Ratio f_s / Q_{ts}	F	f_s / Q_{ts}	97		Motor Efficiency Factor	β	$(T \cdot m^2) / \Omega$	4.75
Half Space Sensitivity @ 2.83V	$dB @ 2.83V/1m$	dB	85.7	+/-1.0 ¹	Voice Coil Former Material	VC_{fm}	-	ASV
Sensitivity @ 1W/1m	$1W/1m$	dB	84.5	+/-1.0 ¹	Voice Coil Inner Diameter	VC_{id}	mm	25.73
					Gap Height	Gh	mm	6.00
Rated Noise Power (IEC 2685 18.1)	P	W	60		Maximum Linear Excursion	X_{max}	mm	3.46
Test Spectrum Bandwidth	50Hz - 5kHz		12 dB/Oct		Ferrofluid Type	FF		N/A
					Transducer Size		inch	5.25
					Transducer Mass		kg	0.68

1 - Piston Band Sensitivity Tolerance

Frequency and Impedance Response:

