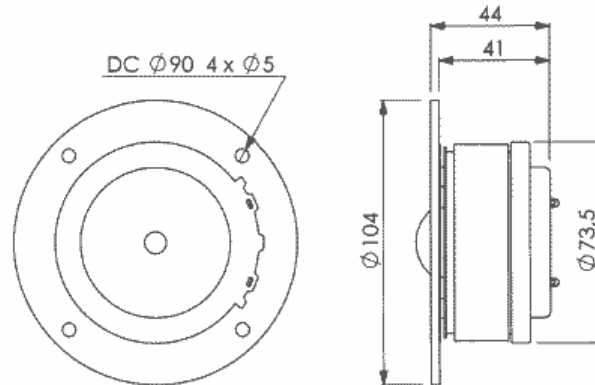
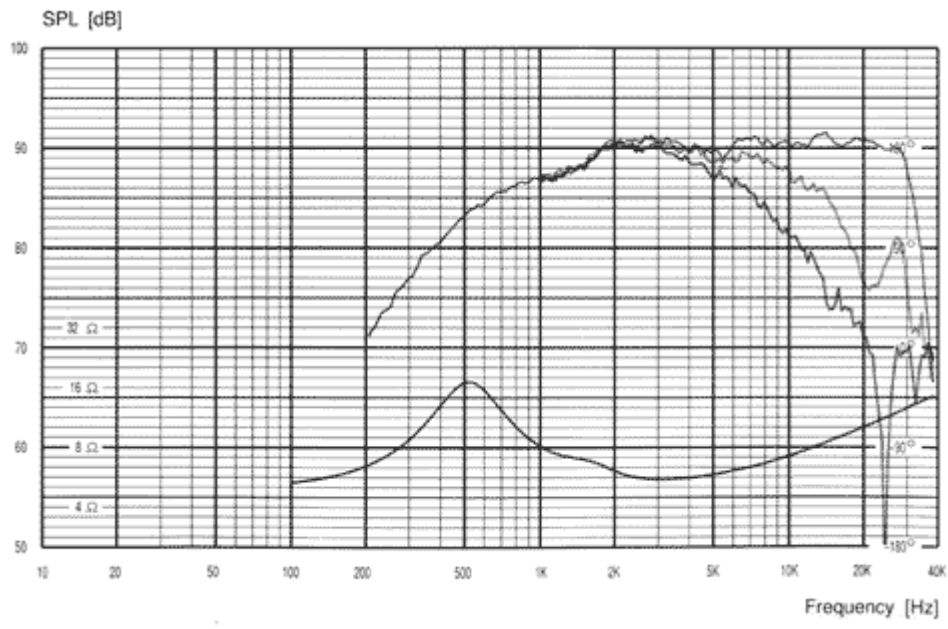




D2905/950000



Characteristic sensitivity (2.83V / 1m)	: 90 dB
Recommended frequency range	: 2 - 30 kHz
Free air resonance frequency, fs	: 550 Hz
DC resistance, Re	: 4.7 ohm
Voice coil inductance, Le	: 0.08 mH
Effective piston area, Sd	: 8.5 cm²
Moving mass incl. air, md	: 0.45 g
Force factor, BL	: 3.5 Tm
Excursion, lin./max.	: ±0.4 / ±1.5 mm
Voice coil diameter	: 28 mm
Rated power handling	: 150 W (12 dB/oct. cross-over at 2.5 kHz)
Net weight	: 0.7 kg



Frequency response: 2.83V / 1m