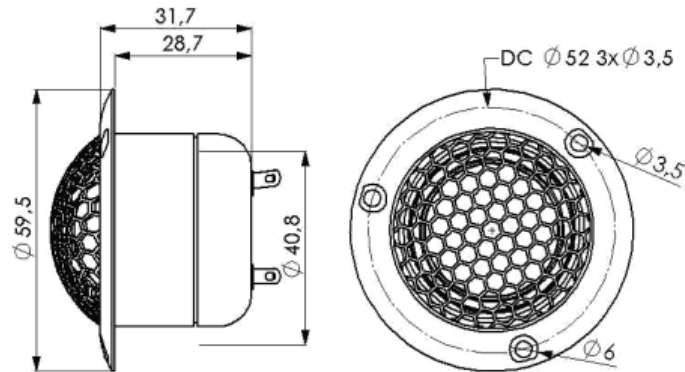
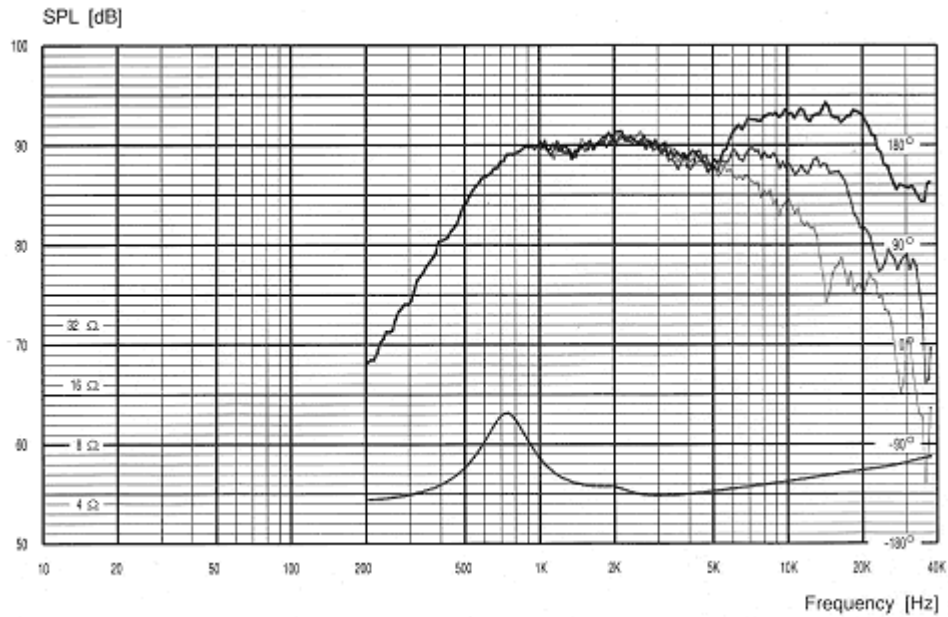




D2904/600000



Characteristic sensitivity (2.83V / 1m)	: 90.0 dB
Recommended frequency range	: 2.5 - 20 kHz
Free air resonance frequency, f_s	: 750 Hz
DC resistance, R_e	: 3.5 ohm
Voice coil inductance, L_e	: 0.02 mH
Effective piston area, S_d	: 8.0 cm ²
Moving mass incl. air, m_d	: 0.40 g
Force factor, BL	: 2.7 Tm
Excursion, lin./max.	: $\pm 0.25 / \pm 1.3$ mm
Voice coil diameter	: 28 mm
Rated power handling	: 150 W (12 dB/oct. cross-over at 2.7 kHz)
Net weight	: 0.13 kg



Frequency response: 2.83V / 1m