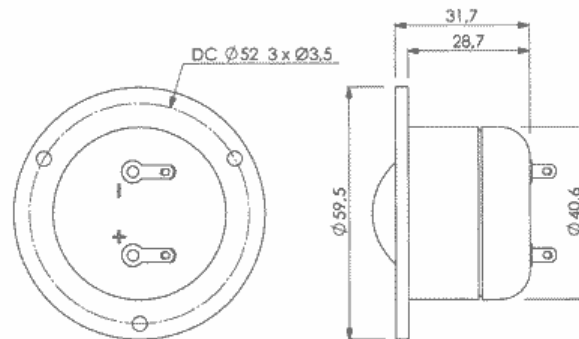
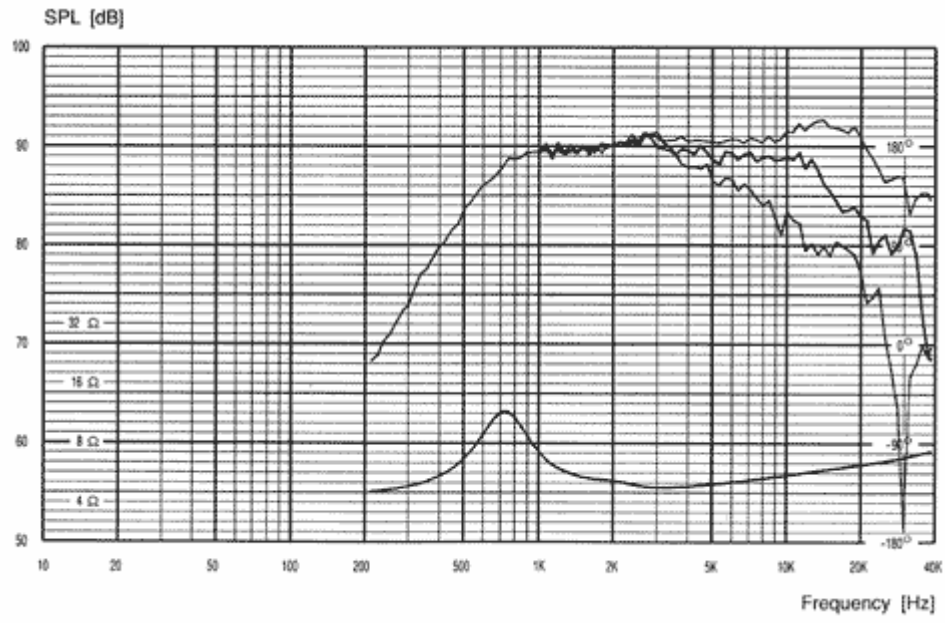




# D2904/6000-01



<b>Characteristic sensitivity (2.83V / 1m)</b>	<b>: 90.5 dB</b>
<b>Recommended frequency range</b>	<b>: 2.5 - 20 kHz</b>
<b>Free air resonance frequency, fs</b>	<b>: 750 Hz</b>
<b>DC resistance, Re</b>	<b>: 3.5 ohm</b>
<b>Voice coil inductance, Le</b>	<b>: 0.02 mH</b>
<b>Effective piston area, Sd</b>	<b>: 8.0 cm<sup>2</sup></b>
<b>Moving mass incl. air, md</b>	<b>: 0.40 g</b>
<b>Force factor, BL</b>	<b>: 2.7 Tm</b>
<b>Excursion, lin./max.</b>	<b>: ±0.25 / ±1.3 mm</b>
<b>Voice coil diameter</b>	<b>: 28 mm</b>
<b>Rated power handling</b>	<b>: 150 W (12 dB/oct. cross-over at 2.7 kHz)</b>
<b>Net weight</b>	<b>: 0.13 kg</b>



Frequency response: 2.83V / 1m