

**New  
1" Tweeter**



**Type Number:** D3004/660000

**Features:**

The new D3004/6600 builds on the experience of the one-inch R29 ring radiator, resulting in low resonance frequency, but further provides the extended dispersion characteristics of a 3/4-inch dome. Tymphany's unique AirCirc Magnet System -- named for the way it optimizes air flow within the chamber -- rearranges the traditional magnet structure from a single magnet to an open magnetic circuit comprised of six separate neodymium slugs. This, in combination with the chamber, results in the elimination of the reflections and resonances that compromise the performance of traditional motors. The D3004/6600 gives engineers improved control over critical midrange performance, for superb vocal rendition and excellent imaging at all listening locations.

**Driver Highlights:** 1" soft dome, AirCirc Magnet System, aluminum faceplate



**Specs:**

**Electrical Data**

Nominal impedance	Zn	4	ohm
Minimum impedance	Zmin	--	ohm
Maximum impedance	Zo	16.9	ohm
DC resistance	Re	3	ohm
Voice coil inductance	Le	0.03	mH

**T-S Parameters**

Resonance Frequency	fs	520	Hz
Mechanical Q factor	Qms	--	
Electrical Q factor	Qes	--	
Total Q factor	Qts	--	
Force factor	Bl	2.5	Tm
Mechanical resistance	Rms	--	Kg/s
Moving mass	Mms	0.35	g
Suspension compliance	Cms	--	mm/N
Effective cone diameter	D	--	cm
Effective piston area	Sd	7	cm <sup>2</sup>
Equivalent volume	Vas	--	ltrs
Sensitivity		92.5	dB

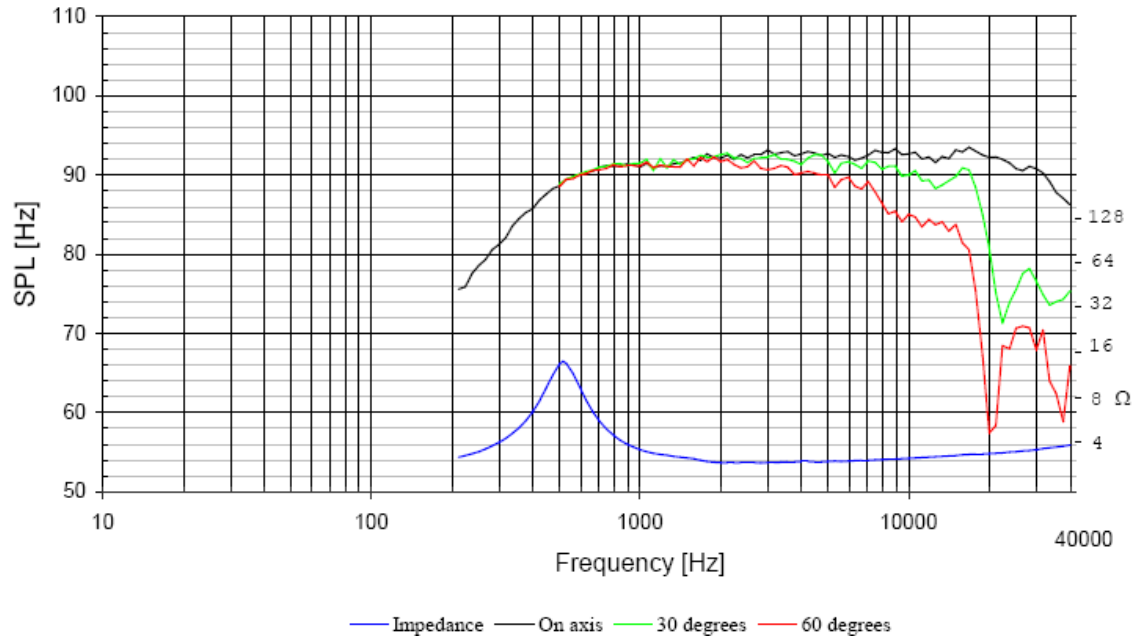
**Power handling**

100h RMS noise test (IEC)	160	W
Long-term Max System Power (IEC)	--	W
Short Term Max power	--	W

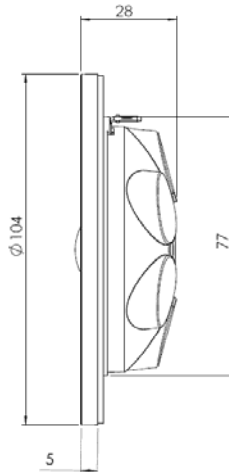
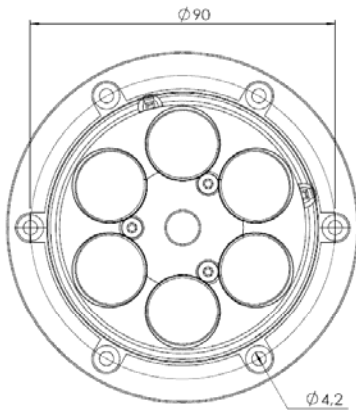
**Voice Coil and Magnet Parameters**

Voice coil diameter	26	mm
Voice coil height	2.1	mm
Voice coil layers	2	
Height of the gap	2.5	mm
Linear excursion +/-	0.2	mm
Max mech. excursion +/-	1.6	mm
Flux density of gap	--	mWb
Total useful flux	--	mWb
Diameter of magnet	--	mm
Height of magnet	--	mm
Weight of magnet	--	Kg

## Frequency:



## Mechanical Dimensions:



### Drawing Dimensions

Outside Diameter  
 Flange Thickness  
 Magnet Diameter  
 Cutout Diameter  
 Interior Depth  
 Hole Diameter  
 Screw Circle Diameter