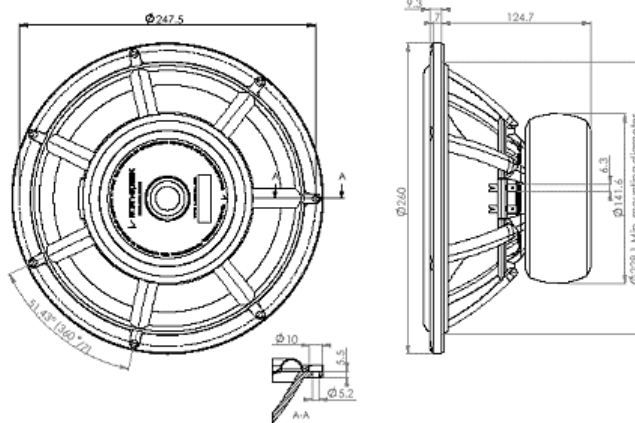
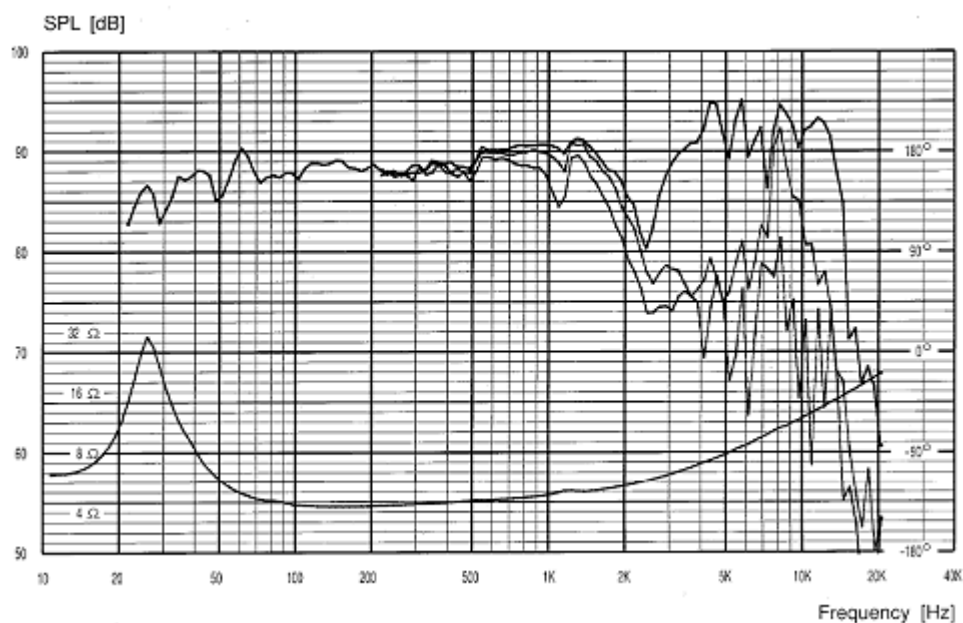




26W/4867T00



Characteristic sensitivity (2.83V / 1m)	: 89 dB
Recommended frequency range	: 18 - 1000 Hz
Free air resonance frequency, f_s	: 18 Hz
DC resistance, R_e	: 3.7 ohm
Voice coil inductance, L_e	: 0.25 mH
Effective piston area, S_d	: 320 cm ²
Moving mass incl. air, m_d	: 51 g
Mechanical loss, R_m	: 1.0 Ns/m
Force factor, BL	: 8.3 Tm
Equivalent volume, V_{as}	: 223 ltr.
Mechanical Q-factor, Q_{ms}	: 5.8
Electrical Q-factor, Q_{es}	: 0.31
Total Q-factor, Q_{ts}	: 0.30
Excursion, lin./max.	: $\pm 9 / \pm 14$ mm
Voice coil diameter	: 50 mm
Rated power handling	: 170 W
Net weight	: 3.7 kg



Frequency response: 2.83V / 1m