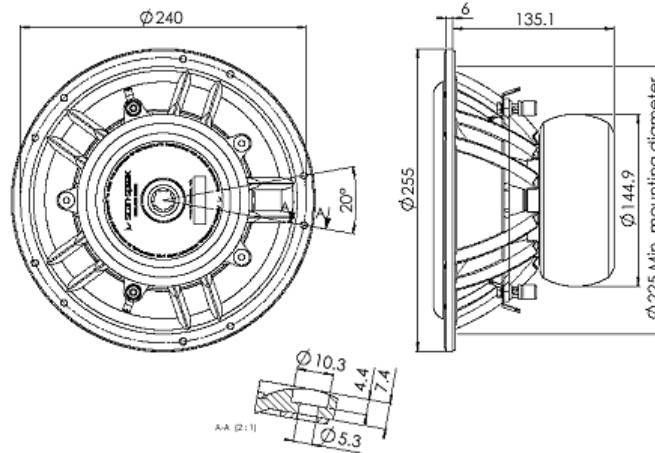
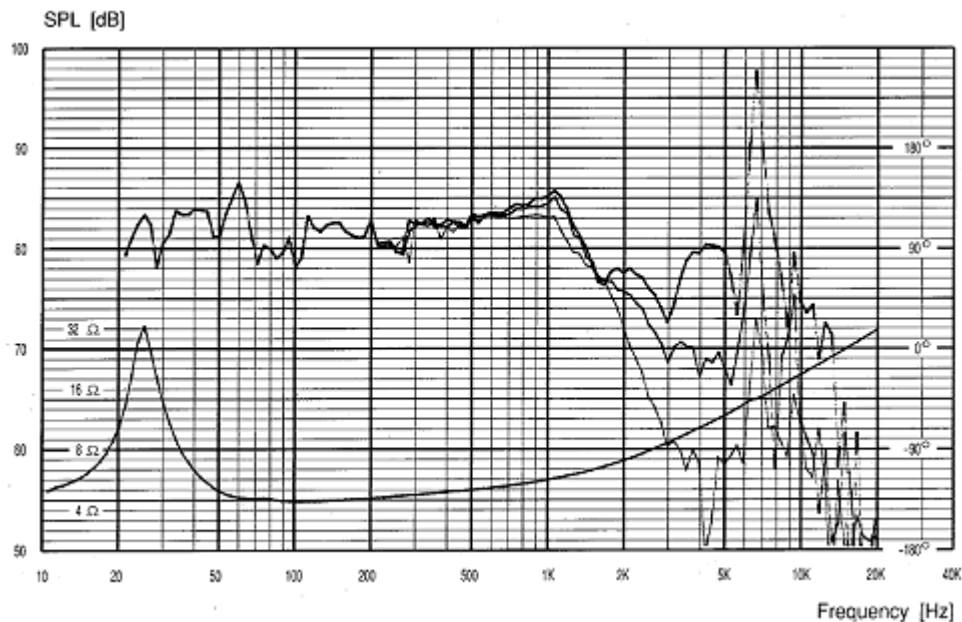




23W/4557T00



Characteristic sensitivity (2.83V / 1m)	: 83 dB
Recommended frequency range	: 21 - 500 Hz
Free air resonance frequency, f_s	: 20.5 Hz
DC resistance, R_e	: 3.4 ohm
Voice coil inductance, L_e	: 0.47 mH
Effective piston area, S_d	: 232 cm ²
Moving mass incl. air, m_d	: 106 g
Mechanical loss, R_m	: 2.9 Ns/m
Force factor, BL	: 9.7 Tm
Equivalent volume, V_{as}	: 43.5 ltr.
Mechanical Q-factor, Q_{ms}	: 4.7
Electrical Q-factor, Q_{es}	: 0.49
Total Q-factor, Q_{ts}	: 0.44
Excursion, lin./max.	: $\pm 13 / \pm 20$ mm
Voice coil diameter	: 50 mm
Rated power handling	: 225 W
Net weight	: 4.6 kg



Frequency response: 2.83V / 1m