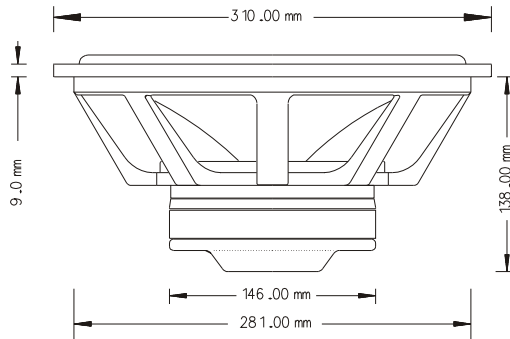




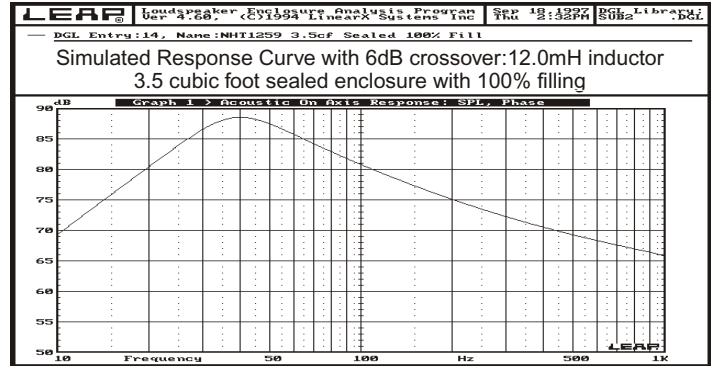
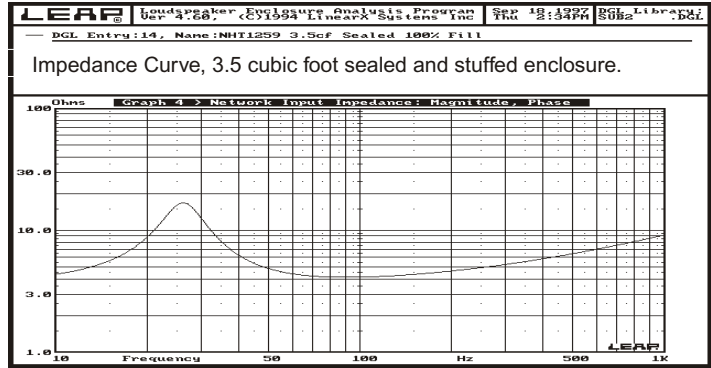
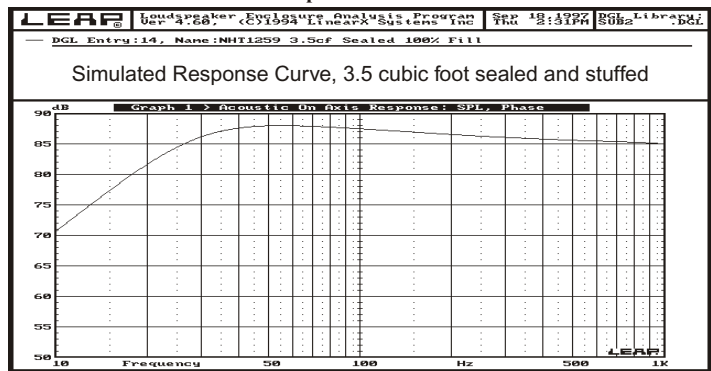
NHT 1259

High Performance 12" Woofer (4Ω & 8Ω)

Madisound Speakers is pleased to offer the "Now Hear This" custom made woofer. The unique characteristics of the NHT 1259 allow it to be used in relatively small sealed enclosures, producing deep and accurate bass to 25Hz. The large voice coil and long excursion insure that this woofer will provide superior transient response with exceptional power handling. The bumped backplate and raised spider prevent bottoming at maximum excursions; the heavy cast frame minimizes energy transfer to the enclosure; and the polypropylene cone with rubber surround promise long term durability in any environment. This woofer is an exceptional choice for any high-end home or auto-sound system and can also handle the most demanding A/V system.



The Simulated Responses are for the 4 ohm version.



Specifications	4 Ω	8 Ω	
Fs	16.5	20.1	Hz
Nominal Impedance	4	8	Ω
Mmd	128.0	90.1	Grams
Cms	696.48	652.15	m/n
Vas	238.4	223.3	Liters
Re	3.52	7.2	Ω
Leap Krm	3.277	4.15	m Ω
Leap Kxm	10.063	18.683	mH
Leap Erm	0.772	0.794	
Leap Exm	0.743	0.715	
vcL	1.06	1.55	mH@1K
Bl	9.574	11.14	Tm
Qms	2.680	2.833	
Qes	0.533	0.705	
Qts	0.445	0.564	
Voice Coil Height	34	34	mm
Air Gap Height	8	8	mm
Xmax	13.0	13.0	mm Peak
SD	0.0491	0.0491	m ²
Surround	Rubber		
Frame	Cast		
Cone Material	Polypropylene		
Magnet	59 oz.		
Voice Coil	50 mm		
Music Power	300 Watts		
Sensitivity	89 dB	86 dB	2.83V/1m
Price	\$150.00		

Both the 4Ω and the 8Ω woofers will work well in sealed boxes of 3.5 to 5 cubic feet. We suggest that you loosely fill the enclosure with fiber fill or some other stuffing like Acousta-stuf or wool. If using a plate amp in the cabinet, use fire retardant Acousta-stuf.