



You can hear the difference!

Speaker Systems	Drivers	Kits	Multimedia	Company	Support	Purchase
---------------------------------	-------------------------	----------------------	----------------------------	-------------------------	-------------------------	--------------------------

Home Theater systems Hi-End Speaker systems Professional Loudspeakers CEDIA:C

TM1A Tweeter Midrange

Swans world originated subminiature combined type alt TM1A.

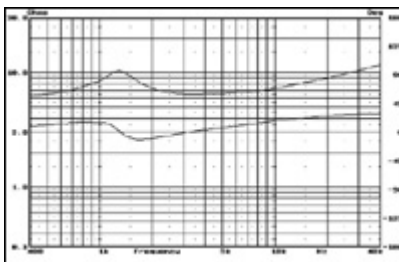
It's your ideal choice for top subminiature 3-way bookshelf style TM1A.

The miniature 2-way loudspeaker system owns features of small volume, easy placement and so on. The large-scale 3-way loudspeaker system owns features of swift sound trends, low-distortion, small volume, hard to place and full-bodied sound. So, the size of 2-way loudspeaker and the sound of 3-way loudspeaker are the design aims for world electroacoustic experts. Because of restricts for physics size and parameter, it has not had any breakthrough for many years.

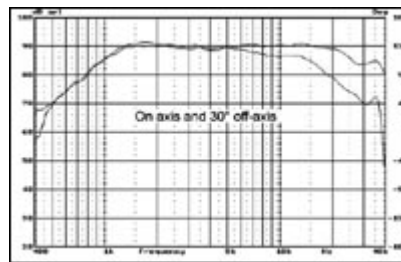
The experts of American Swans Electroacoustic Development Center had successfully developed tweeter TN28 and midrang DMN several years ago, which used high performance neodymium iron boron miniature magnet. Because they have small size, Swans experts continued to work and then have developed this subminiature alt TM1A. The success of TM1A symbolized breakthrough achievement of miniature design of 3-way system.

TM1A essentially is a 2-way enclosed style speaker system, frequency response varies from 800 to 20KHz. We suggest you that settle the divided frequency point among 2.24 and 4.5KHz; when the bass frequency point is among 1 and 2KHz, lower the crossover level as 12-24dB/oct crossovers.

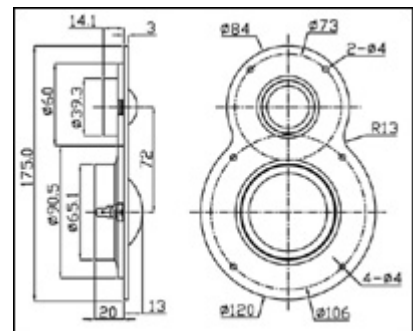
Products Graph:



Impedance (Magnify)



Frequency response (Magnify)



Mechanical Drawing (Magnify)

[More picture](#)

Tweeter:

TM1A Tweeter Midrange



©2004 Swans Speaker Systems Inc.(USA) All rights reserved.