



You can hear the difference!

Speaker Systems	Drivers	Kits	Multimedia	Company	Support	Purchase
-----------------	---------	------	------------	---------	---------	----------

RT8II Isodynamic Tweeter

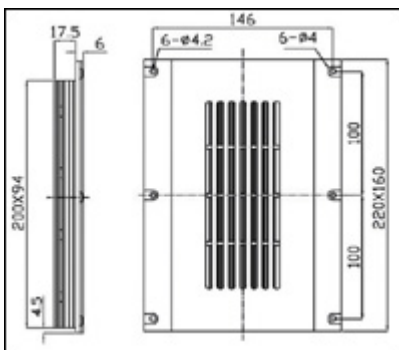
The performance of intermediate frequency and intermediate high frequency has pivotal status in sound playback. For a good performance, engineers from many countries have worked for many years; It results a period of stir for a section of well performed system many times and widely discussed; Its mental factor decided that ears are sensitive for this section. Common ball top or cone loudspeaker applied voice coil actuated indirectly vibration performance, which easy produce various non-smoothes sound and was restricted by physics features materials has difficult to have well transient state and reply high sound pressure; moreover different vocalization point make the influence of point nature and phase become very important; The voice coil of ribbon loudspeaker is manufactured directly on the surface of film membrane can sync and equal actuate air. Quick response reduce distortion and unequal frequency response, it has features of accurate and clean sound and approach pure resistance. In that, Swans put out ribbon intermediate tweeter loudspeaker RT8II.

RT8II membrane applied ultra-thin polyester materials, which voice and film membrane combine together, the aluminum conduction part of voice coil takes more than 90% and painted 3um anti-oxidized coating can prevent the aluminum oxidation when sudden hot for aluminum conduction wire. The vibration quality can be ignored compare with traditional ball top tweeter, it is of 25mg, just as 1/5 of common tweeter, which means that any input transient state messages can be made transient response. The driving systems composed of 2 layers of neodymium iron boron magnet create a push-pull actuation, which fill excellent absorb sound materials at back of film membrane, increase damp at back of film membrane, eliminate unnecessary vibration and reduce distortion.

The panel of it applied new duralumin alloy, the needs of sound radiation to design its shape, which match with 2 row holes of front armor plate create equal and wide response. There is no resonance in working frequency band and impedance curve is a beeline, and its vocalization is on plane are totally different with common point sound resource.

Knowing all of the fantastic features of RT11I, Comparing with common speakers, it will give you a definite answer: it owns many advantages to offset the shortcomings of traditional midrang, so it can be applied as intermediate tweeter in many systems.

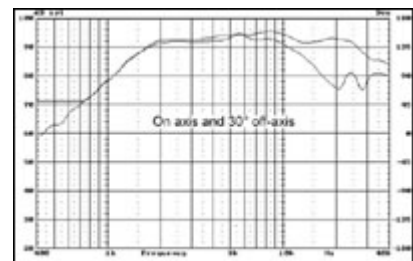
Products Graph:



Mechanical Drawing (Magnify)



Impedance (Magnify)



Frequency response (Magnify)

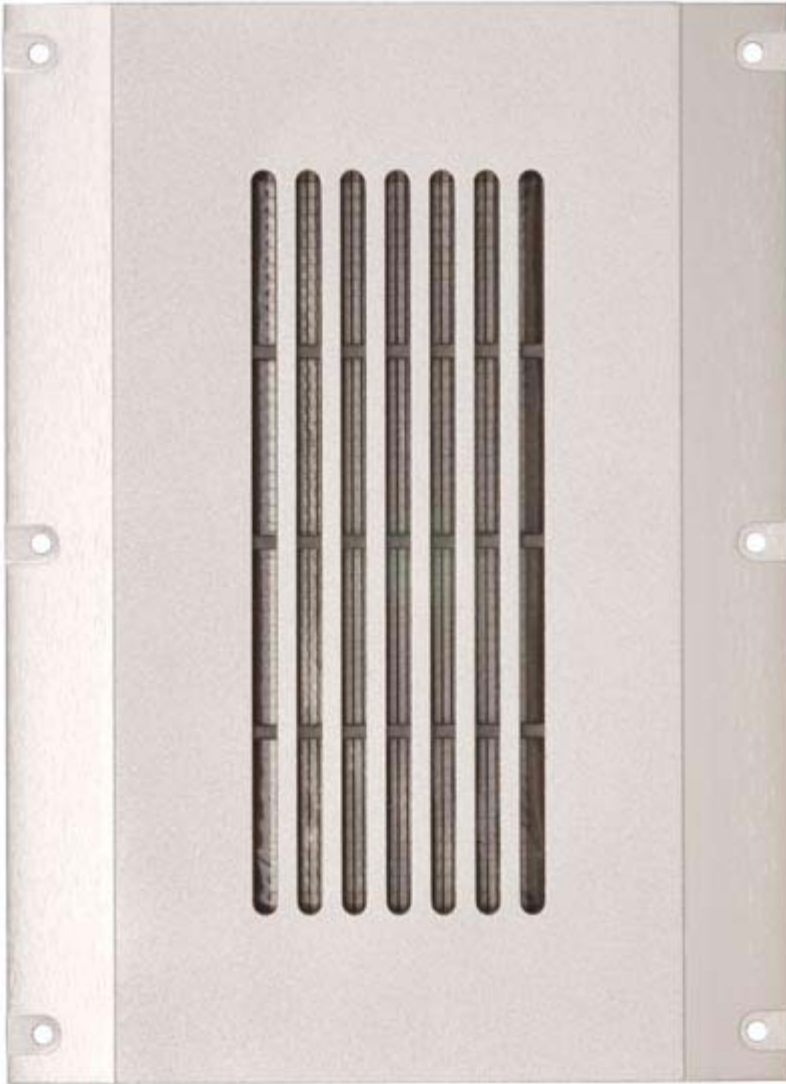
More picture

Ribbon tweeter:

RT8II Isodynamic Tweeter

Nominal Impedance (Z)(O) : 6

Nominal Power Handling (Pnom)(W) : 30



Sensitivity (2.83v/1m)(dB) :	95
Weight (M)(Kg) :	1.1
Magnet System :	Neodymium
Recommended Crossover Frequency (Hz) :	>1700Hz