

# FW137

## Features

- Kenaf-Cellgaia hybrid cone
- Reasonable Qts value for easy bass-reflex enclosure design
- Newly designed aluminum die-cast frame
- Ferrite magnet & repulsion type magnet shielded circuit

## Specifications

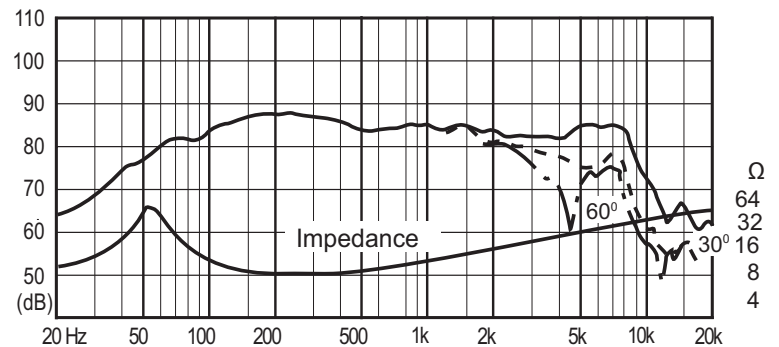
### & Thiele/Small Parameters

Size	:	130 mm / 5 in
Voice Coil Diameter	:	30.4 mm / 1.2 in
Cast / Stamped	:	Cast
Impedance	:	8 Ω
Reproduction Frequency Response	:	fs - 8 kHz
Sound Pressure Level	:	87 dB/W(m)
Rated Input	:	25 W
Music Power	:	75 W
Magnet Material	:	Ferrite
Magnet Weight	:	
(main)	:	226 g / 0.498 lb
(cancel)	:	152 g / 0.335 lb
Net Weight	:	1,495 g / 3.296 lb

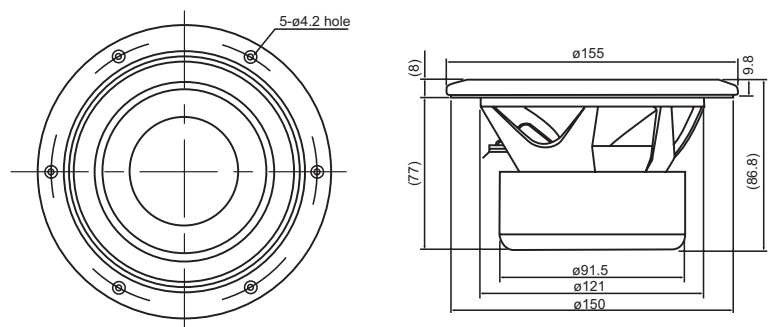
a	:	55 mm
Sd	:	0.0095 m <sup>2</sup>
Zn	:	8 Ω
Fs	:	55 Hz
Re	:	7.4 Ω
Le	:	0.067 mH
Qms	:	3.58
Qes	:	0.57
Qts	:	0.5
Mms	:	11.7 g
BL	:	7.06 Telsa/m
Vas	:	10.202 L
Xmax	:	1 mm
Eff/η0	:	0.24 %
Cms	:	0.0008 mm/N
EBP	:	96.491



## Frequency Response / Impedance



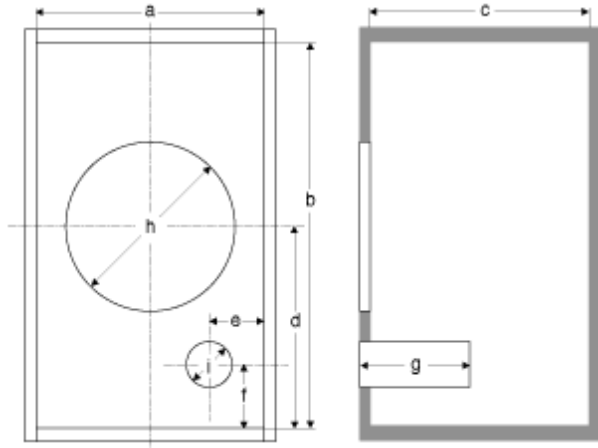
## Dimensions & Mounting Information



Overall Diameter	:	155 mm / 6.1 in
Baffle Hole Diameter	:	121 mm / 4.8 in
Depth	:	86.8 mm / 3.4 in

## Recommended Enclosures

### Recommended Bass Reflex Type Enclosure for Woofer Units



	FW208N	FW305	FW405	FW127	FW187	FW168HP
<b>a</b>	250mm 9.84"	355mm 13.97"	456mm 17.95"	180mm 7.08"	230mm 9.05"	184mm 7.24"
<b>b</b>	420mm 16.53"	700mm 27.55"	685mm 26.96"	295mm 11.61"	410mm 16.14"	344mm 13.54"
<b>c</b>	240mm 9.44"	308mm 12.12"	364mm 14.33"	180mm 7.08"	235mm 9.25"	194mm 7.63"
<b>d</b>	220mm 8.66"	300mm 11.81"	345mm 13.58"	190mm 7.48"	270mm 10.62"	185mm 7.28"
<b>e</b>	60mm 2.36"	70mm 2.75"	80mm 3.14"	40mm 1.57"	50mm 1.96"	38mm 1.49"
<b>f</b>	70mm 2.75"	80mm 3.14"	80mm 3.14"	60mm 2.36"	90mm 3.54"	57mm 2.24"
<b>g</b>	110mm 4.33"	180mm 7.08"	180mm 7.08"	80mm 3.14"	99mm 3.89"	180mm 7.08"
<b>h</b>	Ø750mm Ø29.52"	Ø280mm Ø11.02"	Ø357mm Ø14.05"	Ø104mm Ø4.09"	Ø183mm Ø7.20"	Ø151mm Ø5.94"
<b>i</b>	Ø50mm Ø1.96"	Ø80mm Ø3.14"	Ø100mm Ø3.93"	Ø50mm Ø1.96"	Ø70mm Ø2.75"	Ø50mm Ø1.96"
<b>Cubic Capacity</b>	25 litre	75 litre	100 litre	10 litre	22 litre	11 litre
<b>Board Thickness</b>	18mm 0.70"	21mm 0.82"	21mm 0.82"	15mm 0.59"	18mm 0.70"	15mm 0.59"